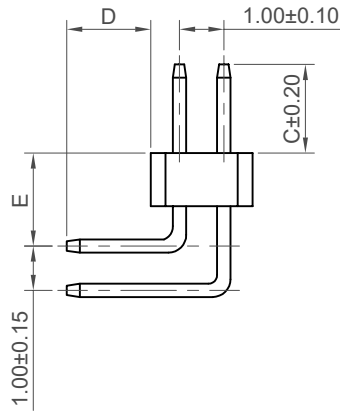
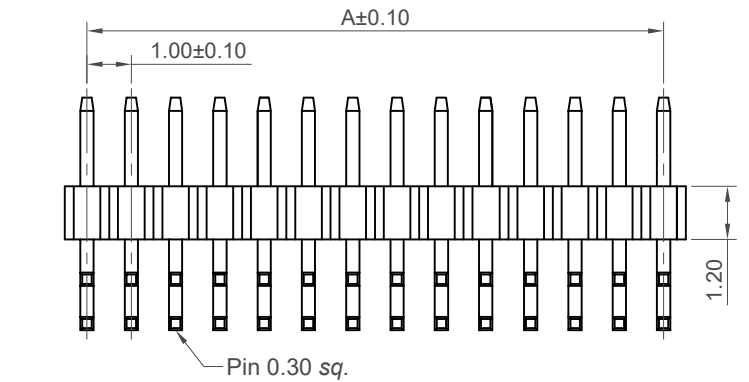
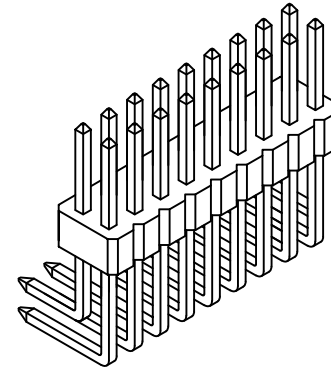


Recommended PCB Layout



Specifications

Material

Insulator: Polymer LCP, UL94V-0  
Contact: Copper Alloy

Plating

Gold Flash All Over

Electrical

Current Rating: 1 Amp per pin  
Contact Resistance: 20 mΩ max.  
Insulating Resistance: 1000 MΩ min.  
Dielectric Withstand Voltage: 300V AC

Mechanical & Environmental

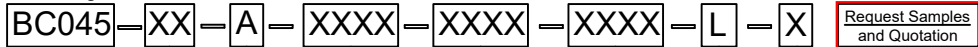
Operating Temperature: -40°C to +105°C  
Soldering Process:  
IR Reflow: 260°C for 10 sec.  
Wave: 250°C for 5-10 sec  
Manual Solder: 350°C for 3-5 sec

Mates with (Subject to pin length)

BC084 BC085

No. of Contacts	Dimensions	
	A	B
4	1.00	2.00
6	2.00	3.00
8	3.00	4.00
10	4.00	5.00
12	5.00	6.00
14	6.00	7.00
16	7.00	8.00
18	8.00	9.00
20	9.00	10.00
22	10.00	11.00
24	11.00	12.00
26	12.00	13.00
28	13.00	14.00
30	14.00	15.00
32	15.00	16.00
34	16.00	17.00
36	17.00	18.00
38	18.00	19.00
40	19.00	20.00
42	20.00	21.00
44	21.00	22.00
46	22.00	23.00
48	23.00	24.00
50	24.00	25.00
52	25.00	26.00
54	26.00	27.00
56	27.00	28.00
58	28.00	29.00
60	29.00	30.00
62	30.00	31.00
64	31.00	32.00
66	32.00	33.00
68	33.00	34.00
70	34.00	35.00
72	35.00	36.00
74	36.00	37.00
76	37.00	38.00
78	38.00	39.00
80	39.00	40.00

Ordering Grid



No. of Contacts  
04 to 80

Contact Plating

A = Gold Flash All Over (Standard)

Dimension C (1/100mm) (Post Height)

0190 = 1.90mm (Standard)  
or specify Dimension C  
eg. 0250 = 2.50mm  
Tol +/- 0.2mm  
(Maximum 0600=6.00mm)  
(Minimum 0100=1.00mm)

Dimension D (1/100mm)

(Tail Length)  
0190 = 1.90mm (Standard)  
or specify Dimension D  
eg. 0250 = 2.50mm  
Tol +/- 0.2mm  
(Maximum 0500=5.00mm)  
(Minimum 0100=1.00mm)

Packing Options

G = Plastic Box (Standard)  
D = Tube  
E = Tube with Cap  
(Only available in 10 contacts & above)

Insulator Material

L = LCP (Standard)

Dimension E (1/100mm)

(Centre of Pin to Top of Insulator)  
0210 = 2.10mm (Standard)  
or specify Dimension E  
eg. 0250 = 2.50mm  
Tol +/- 0.2mm  
(Maximum 0400=4.00mm)  
(Minimum 0135=1.35mm)

Part Number BC045		Product Description 1.0mm Pitch Pin Header, Dual Row, Through-Hole, Horizontal	
Drawing Date 20th May 2008			
By KY	Tolerances (Except as Noted)		Units: Metric (mm)
Detail BC045 E PCN	Length X. ± 0.30	Angle X.° ± 5°	  
Revision E2	X.X ± 0.25	X.XX° ± 3°	
Date 21/06/24	X.XX ± 0.15	X.XXX° ± 2°	
	X.XXX ± 0.10	X.XXX° ± 1°	
<p>This drawing is confidential and copyright of Global Connector Technology, Ltd (GCT). This drawing must not be copied or disclosed without written consent. E &amp; OE</p>			<p>Not to Scale</p>
<p>Drawn By ASE</p>		<p>Sheet No. 1/1</p>	

