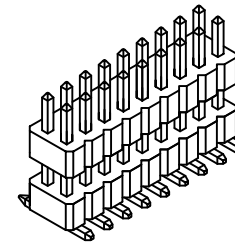


Recommended PCB Layout
Tolerance: ±0.05
Solder Area



Specifications

Material
Insulator: Polymer LCP, UL94V-0, Black
Contact: Copper Alloy

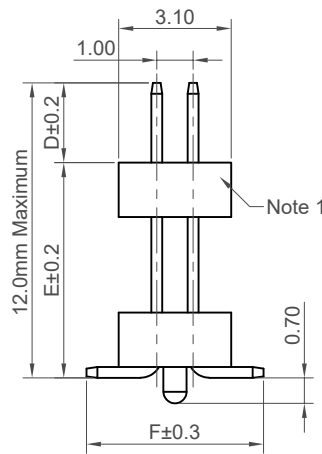
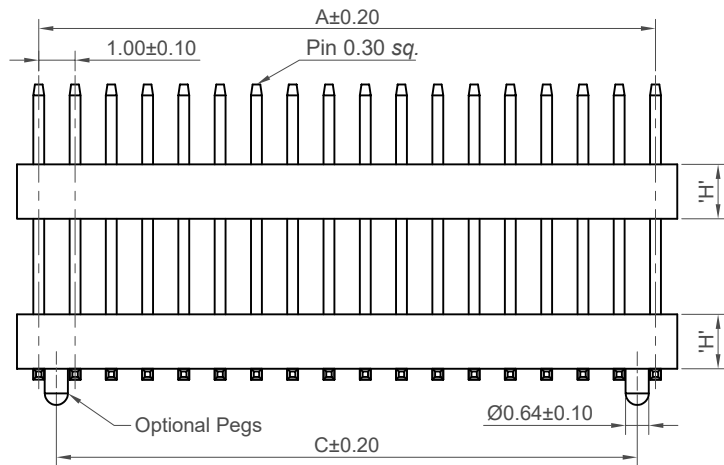
Plating
Gold Flash All Over

Electrical
Current Rating: 1 Amp *per pin*
Contact Resistance: 20 mΩ max.
Insulating Resistance: 1000 MΩ min.
Dielectric Withstand Voltage: 300V AC

Mechanical & Environmental
Operating Temperature: -40°C to +105°C
Soldering Process:
IR Reflow: 260°C for 10 sec.
Wave: 250°C for 5-10 sec
Manual Solder: 350°C for 3-5 sec

Mates with (Subject to pin length)
BC084 BC085

Contacts	Dimensions		
	A	B	C
6	2.00	3.20	1.00
8	3.00	4.20	2.00
10	4.00	5.20	3.00
12	5.00	6.20	4.00
14	6.00	7.20	5.00
16	7.00	8.20	6.00
18	8.00	9.20	7.00
20	9.00	10.20	8.00
22	10.00	11.20	9.00
24	11.00	12.20	10.00
26	12.00	13.20	11.00
28	13.00	14.20	12.00
30	14.00	15.20	13.00
32	15.00	16.20	14.00
34	16.00	17.20	15.00
36	17.00	18.20	16.00
38	18.00	19.20	17.00
40	19.00	20.20	18.00
42	20.00	21.20	19.00
44	21.00	22.20	20.00
46	22.00	23.20	21.00
48	23.00	24.20	22.00
50	24.00	25.20	23.00
52	25.00	26.20	24.00
54	26.00	27.20	25.00
56	27.00	28.20	26.00
58	28.00	29.20	27.00
60	29.00	30.20	28.00
62	30.00	31.20	29.00
64	31.00	32.20	30.00
66	32.00	33.20	31.00
68	33.00	34.20	32.00
70	34.00	35.20	33.00
72	35.00	36.20	34.00
74	36.00	37.20	35.00
76	37.00	38.20	36.00
78	38.00	39.20	37.00
80	39.00	40.20	38.00



Note 1: The upper insulator is for pin alignment only, for load bearing, please contact GCT.

Ordering Grid
BC055-XXA-XX-XXXX-XXXX-XXXX-LX

No. of Contacts
06 to 80

Contact Plating
A = Gold Flash All Over (Standard)

Insulator Height H
K = 1.00mm (Standard)
A = 1.50mm

Locating Peg
0 = No Peg
1 = With Peg

Dimension D (1/100mm) (Post Height)
0190 = 1.90mm (Standard when H = K)
0165 = 1.65mm (Standard when H = A)
or specify Dimension D
eg 0250 = 2.50mm
(Maximum 0400=4.00mm)
(Minimum 0100=1.00mm)

Dimension E (1/100mm) (Stack Height)
0250 = 2.50mm (Standard when H = K)
0590 = 5.90mm (Standard when H = A)
or specify Dimension E
eg 0250 = 2.50mm
(Maximum 0970=9.70mm)
(Minimum 0250=2.50mm when H=K)
(Minimum 0350=3.50mm when H=A)

Packing Options
B = Tape & Reel with Cap (Standard)
D = Tube (Available in 12-80 contacts)
E = Tube with Cap (Available in 12-80 contacts)
G = Plastic Box (Available in 06-10 contacts)

Insulator Material
L = LCP (Standard)

Dimension F (1/100mm) (Footprint Width)
0520 = 5.20mm (Standard)
or specify Dimension F
eg 0250 = 2.50mm
(Tooling charge may apply)

Request Samples and Quotation

Insulator Height 'H'	Dimension 'D'	Dimension 'E'	Dimension 'F'
1.00 mm	1.90 mm	2.50 mm	5.20 mm
1.50 mm	1.65 mm	5.90 mm	5.20 mm

Part Number BC055		Product Description 1.00mm Pitch Elevated Pin Header, Dual Row, Surface Mount, Vertical	
Drawing Date 20th May 2008			
By KY	Tolerances (Except as Noted)	Units: Metric (mm)	<p>This drawing is confidential and copyright of Global Connector Technology, Ltd (GCT). This drawing must not be copied or disclosed without written consent. E & OE</p>
Detail BC055 F PCN	Length X. ± 0.30	Angle X.° ± 5°	
Revision F6	X.X ± 0.25	X.XX° ± 3°	
Date 04/09/24	X.XX ± 0.15	X.XXX° ± 2°	
	X.XXX ± 0.10	X.XXX° ± 1°	

GCT
www.gct.co

Not to Scale | Drawn By ASE | Sheet No. 1/1