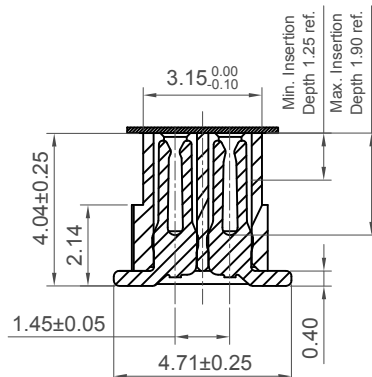
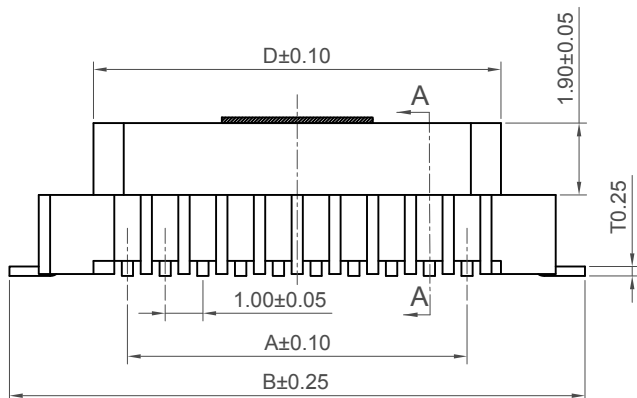


Recommended PCB Layout

▨ Solder Area □ Component Outline

Contacts	Dimensions				
	A	B	C	D	E
10	4.00	10.25	8.70	5.80	10.85
12	5.00	11.25	9.70	6.80	11.85
14	6.00	12.25	10.70	7.80	12.85
16	7.00	13.25	11.70	8.80	13.85
18	8.00	14.25	12.70	9.80	14.85
20	9.00	15.25	13.70	10.80	15.85
22	10.00	16.25	14.70	11.80	16.85
24	11.00	17.25	15.70	12.80	17.85
26	12.00	18.25	16.70	13.80	18.85
28	13.00	19.25	17.70	14.80	19.85
30	14.00	20.25	18.70	15.80	20.85



Section A-A

Specifications

Material

Contact : Copper Alloy
 Insulator :
 Standard: Polyamide, Nylon 6T, UL94V-0
 Option: Polymer, LCP, UL94V-0

Plating

See Ordering Grid

Electrical

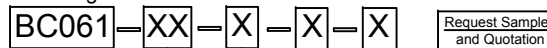
Current Rating : 1 Amp Per Pin
 Insulation Resistance: 1000 MΩ min
 Contact Resistance: 20 mΩ max.
 Dielectric Withstand Voltage: AC 300 V

Mechanical & Environmental

Operating Temperature: -40°C to +105°C
 Soldering Process:
 Nylon 6T (Standard)
 IR Reflow: 260°C for 10 sec.
 Wave: 230°C for 5-10 sec.
 Manual Solder: 350°C for 3-5 sec
 LCP (Option)
 IR Reflow: 260°C for 10 sec.
 Wave: 250°C for 5-10 sec.
 Manual Solder: 350°C for 3-5 sec

Mates with (Subject to pin length)
 BC060

Ordering Grid



No. of Contacts
10 to 30

Contact Plating
A = Gold Flash All Over (Standard)
 C = Tin All Over

Packing Options

C = Tape and Reel with Film (Standard)
 B = Tape and Reel with Cap
 D = Tube
 E = Tube with Cap
 F = Tube with Film

Insulator Material

N = Nylon 6T (Standard)
 L = LCP

Part Number BC061		Product Description 1.00mm Pitch Socket, Dual Row, Surface Mount, Vertical	
Drawing Date 20th May 2008			
By	CC	Tolerances (Except as Noted)	Units:
Detail	BC061 D PCN	Length X. ± 0.30 X.X ± 0.25 X.XX ± 0.15 X.XXX ± 0.10	Metric (mm)
Revision	D1	Angle X.° ± 5° X.X° ± 3° X.XX° ± 2° X.XXX° ± 1°	3rd Angle Projection
Date	28/11/17		



This drawing is confidential and copyright of Global Connector Technology, Ltd (GCT). This drawing must not be copied or disclosed without written consent. E & OE



Not to Scale Drawn By LYH Sheet No. 1/1