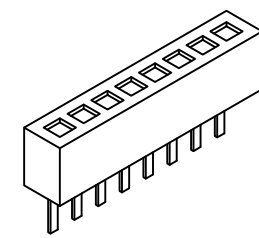
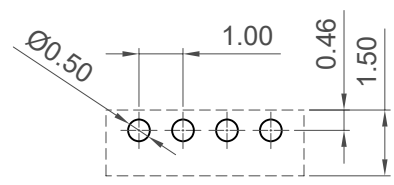
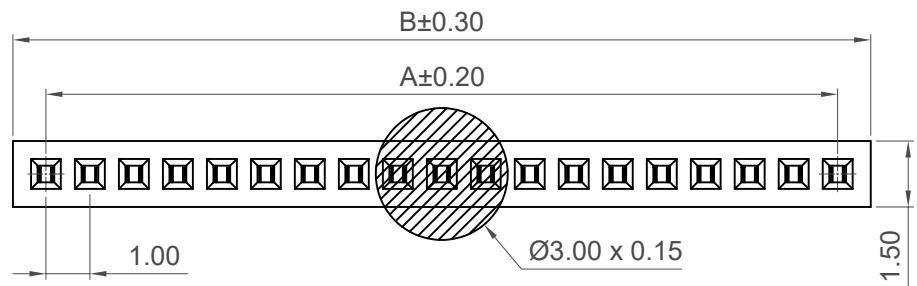
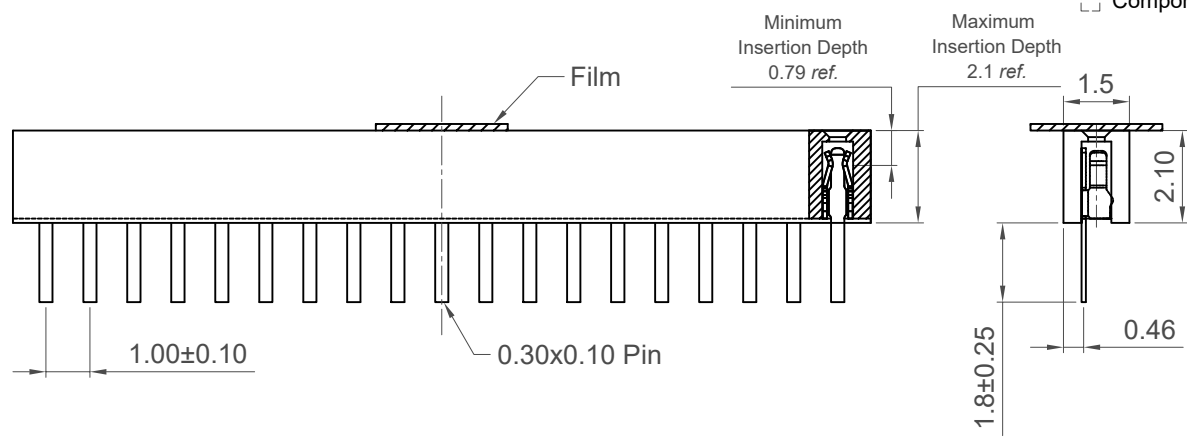


H
G
F
E
D
C
B
A



Recommended PCB Layout
Tolerance: ± 0.05
□ Component Outline



Specifications

Material
Contact : Phosphor Bronze
Insulator :
Standard: Polymer, LCP, UL 94-V0

Plating
See Ordering Grid

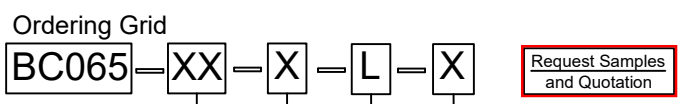
Electrical
Current Rating : 1 Amp Per Pin
Insulation Resistance: 1000 M Ω min
Contact Resistance: 40 m Ω max.
Dielectric Withstand Voltage: AC 300 V

Mechanical & Environmental
Operating Temperature: -40°C to +105°C

Soldering Process:
LCP (Standard) -
IR Reflow : 260°C for 10 sec.
Wave :250°C for 5-10 sec
Manual Solder: 350°C for 3-5 sec

Mates with (Subject to pin length)
BC020 BC025 BC030 BC032
BC034 BC090

No. of Contacts	Dimensions	
	A	B
2	1.00	2.50
3	2.00	3.50
4	3.00	4.50
5	4.00	5.50
6	5.00	6.50
7	6.00	7.50
8	7.00	8.50
9	8.00	9.50
10	9.00	10.50
11	10.00	11.50
12	11.00	12.50
13	12.00	13.50
14	13.00	14.50
15	14.00	15.50
16	15.00	16.50
17	16.00	17.50
18	17.00	18.50
19	18.00	19.50
20	19.00	20.50
21	20.00	21.50
22	21.00	22.50
23	22.00	23.50
24	23.00	24.50
25	24.00	25.50
26	25.00	26.50
27	26.00	27.50
28	27.00	28.50
29	28.00	29.50
30	29.00	30.50
31	30.00	31.50
32	31.00	32.50
33	32.00	33.50
34	33.00	34.50
35	34.00	35.50
36	35.00	36.50
37	36.00	37.50
38	37.00	38.50
39	38.00	39.50
40	39.00	40.50



No. of Contacts
02 to 40

Contact Plating
A = Gold Flash All Over (Standard)
C = Tin All Over

Packing Options
D = Tube (Standard)
A = Tape and Reel
C = Tape and Reel with Film
F = Tube with Film (04 to 40 Contacts)
G = Plastic Box (02,03&04 Contacts only)

Insulator Material
L = LCP (Standard)

Part Number BC065		Product Description 1.00mm Pitch Socket, Single Row, Through Hole, Vertical	
Drawing Date 20th May 2008			
By KY	Tolerances (Except as Noted)	Units: Metric (mm)	<p>This drawing is confidential and copyright of Global Connector Technology, Ltd (GCT). This drawing must not be copied or disclosed without written consent. E & OE</p>
Detail BC065 D PCN	Length X. ± 0.30 X.X ± 0.25 X.XX ± 0.15 X.XXX ± 0.10	Angle X. $^{\circ}$ $\pm 5^{\circ}$ X.X $^{\circ}$ $\pm 3^{\circ}$ X.XX $^{\circ}$ $\pm 2^{\circ}$ X.XXX $^{\circ}$ $\pm 1^{\circ}$	
Revision D7	3rd Angle Projection		
Date 27/11/24			

www.gct.co

Not to Scale	Drawn By ASE	Sheet No. 1/1
--------------	--------------	---------------

1 2 3 4 5 6 7 8