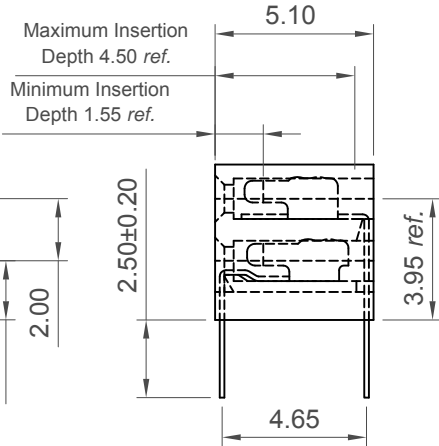
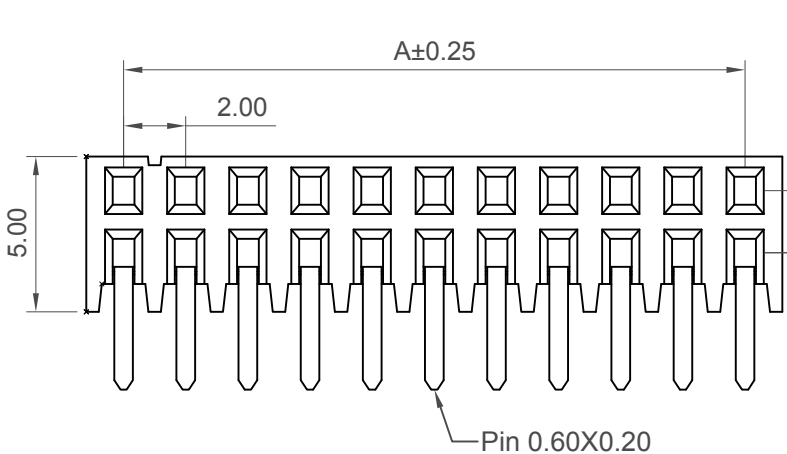


No. of Contacts	Dimensions	
	A	B
6	4.0	6.4
8	6.0	8.4
10	8.0	10.4
12	10.0	12.4
14	12.0	14.4
16	14.0	16.4
18	16.0	18.4
20	18.0	20.4
22	20.0	22.4
24	22.0	24.4
26	24.0	26.4
28	26.0	28.4
30	28.0	30.4
32	30.0	32.4
34	32.0	34.4
36	34.0	36.4
38	36.0	38.4
40	38.0	40.4
42	40.0	42.4
44	42.0	44.4
46	44.0	46.4
48	46.0	48.4



Specifications

Material
 Contact: Copper Alloy
 Insulator:
 Standard: Polyamide, Nylon 6T, UL 94V-0
 Options: Polymer, LCP, UL 94V-0

Plating
 See Ordering Grid

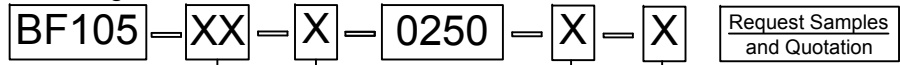
Electrical
 Current Rating: 2 Amp Per Pin
 Insulation Resistance: 1000 MΩ min
 Contact Resistance: 20 mΩ max.
 Dielectric Withstand Voltage: AC 500 V

Mechanical & Environmental
 Operating Temperature: -40°C to +105°C

Soldering Process:
 Nylon 6T (Standard) -
 IR Reflow: 260°C for 10 sec.
 Wave: 230°C for 5-10 sec.
 Manual Solder: 350°C for 3-5 sec
 LCP (Option) -
 IR Reflow: 260°C for 10 sec.
 Wave: 250°C for 5-10 sec.
 Manual Solder: 350°C for 3-5 sec

Mates with(Subject to pin length):
 BF030 BF045 BF050
 BF055 BF145

Ordering Grid



No. of Contacts
 06 to 48

Contact Plating

- A = Gold Flash All Over (Standard)**
- B = Selective Gold Flash Contact Area/ Tin On Tail**
- C = Tin All Over**
- G = 10µ" Gold Contact Area/Tin On Tail**
- I = 30µ" Gold Contact Area/Tin On Tail**

Packing Options
D = Tube (Standard)
G = Plastic Box

Insulator Material
N = Nylon 6T (Standard)
L = LCP

Part Number		Product Description	
BF105		2.00mm Pitch Socket, Dual Row, Through Hole, Horizontal, Side Entry	
Drawing Date		31st October 2007	
By	CC	Tolerances (Except as Noted)	Units:
Detail	BF105 F PCN	Length X. ± 0.30 X.X ± 0.25 X.XX ± 0.15 X.XXX ± 0.10	Metric (mm)
Revision	F1	Angle X.° ± 5° X.X° ± 3° X.XX° ± 2° X.XXX° ± 1°	
Date	09/11/17		



This drawing is confidential and copyright of Global Connector Technology, Ltd (GCT). This drawing must not be copied or disclosed without written consent. E & OE



Not to Scale	Drawn By LYH	Sheet No. 1/1
--------------	--------------	---------------