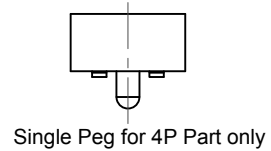
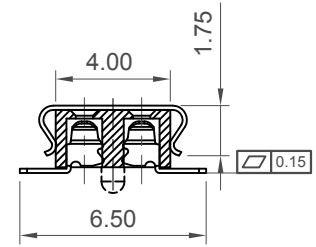
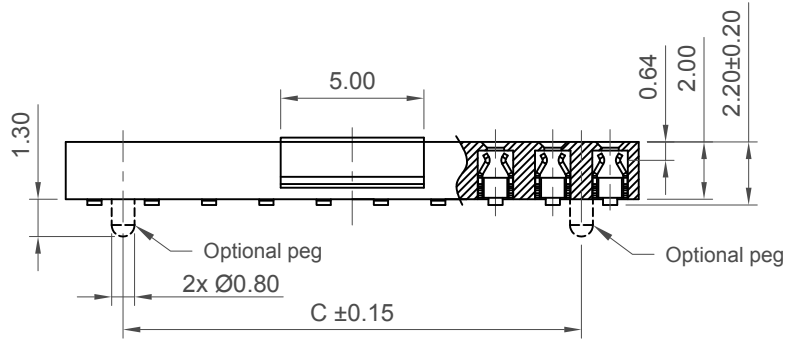
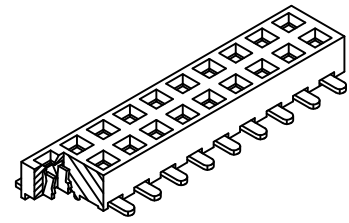
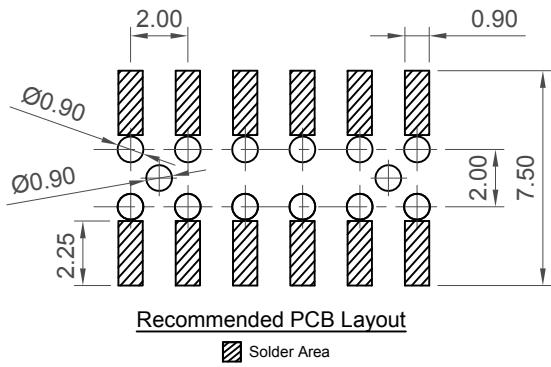
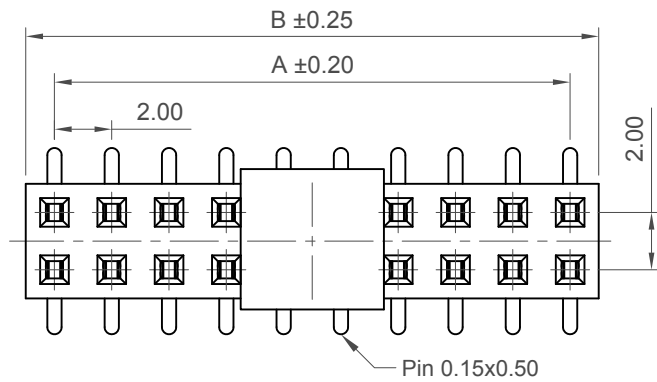


H
G
F
E
D
C
B
A



Specifications 规格

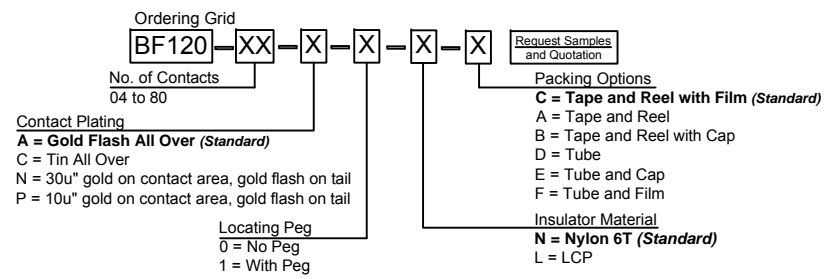
Material 物料
 Contact 端子物料: Phosphor Bronze
 Insulator 绝缘体物料:
 Standard 标准物料: Polyamide 聚酰胺, Nylon 6T, UL 94V-0
 Options 可选物料: Polymer 聚合物, LCP, UL 94V-0

Electrical 电气
 Current Rating 电流额定值: 2 Amp Per Pin
 Insulation Resistance 绝缘电阻值: 1000 MΩ min
 Contact Resistance 接触电阻值: 20 mΩ max.
 Dielectric Withstand Voltage 耐压: AC 500 V

Mechanical & Environmental 机械 & 环境
 Operating Temperature 工作温度: -40°C to +105°C

Soldering Process 可焊性:
 Nylon 6T (Standard标准物料)
 IR Reflow 回流焊: 260°C for 10 sec.
 Wave 波峰焊: 230°C for 5-10 sec.
 Manual Solder 人工焊接: 350°C for 3-5 sec.
 LCP (Option 可选物料)
 IR Reflow 回流焊: 260°C for 10 sec.
 Wave 波峰焊: 250°C for 5-10 sec.
 Manual Solder 人工焊接: 350°C for 3-5 sec.

Mates with 配套之公头
 (Subject to pin length 在端子长度适合的条件下):
 BF030 BF045 BF050 BF055
 BF060 BF135 BF140 BF145



Contacts	Dimensions		
	A	B	C
4	2.0	4.0	/
6	4.0	6.0	2.0
8	6.0	8.0	4.0
10	8.0	10.0	6.0
12	10.0	12.0	8.0
14	12.0	14.0	10.0
16	14.0	16.0	12.0
18	16.0	18.0	14.0
20	18.0	20.0	16.0
22	20.0	22.0	18.0
24	22.0	24.0	20.0
26	24.0	26.0	22.0
28	26.0	28.0	24.0
30	28.0	30.0	26.0
32	30.0	32.0	28.0
34	32.0	34.0	30.0
36	34.0	36.0	32.0
38	36.0	38.0	34.0
40	38.0	40.0	36.0
42	40.0	42.0	38.0
44	42.0	44.0	40.0
46	44.0	46.0	42.0
48	46.0	48.0	44.0
50	48.0	50.0	46.0
52	50.0	52.0	48.0
54	52.0	54.0	50.0
56	54.0	56.0	52.0
58	56.0	58.0	54.0
60	58.0	60.0	56.0
62	60.0	62.0	58.0
64	62.0	64.0	60.0
66	64.0	66.0	62.0
68	66.0	68.0	64.0
70	68.0	70.0	66.0
72	70.0	72.0	68.0
74	72.0	74.0	70.0
76	74.0	76.0	72.0
78	76.0	78.0	74.0
80	78.0	80.0	76.0

Part Number BF120		Product Description 2.00mm Pitch Socket Dual Row, Surface Mount, Dual Entry	
Drawing Date 31st October 2007			
By	CC	Tolerances (Except as Noted)	Units: Metric (mm)
Detail	BF120 G PCN	Length X. ± 0.30 X.X ± 0.20 X.XX ± 0.15 X.XXX ± 0.10	Angle X° ± 5° X.X° ± 2° X.XX° ± 1° X.XXX° ± 0.5°
Revision	G1	3rd Angle Projection	
Date	03/04/17	RoHS COMPLIANT 2011/65/EC	

GCT
 Global Connector Technology
 www.gct.co

Not to Scale | Drawn By LYH | Sheet No. 1/1