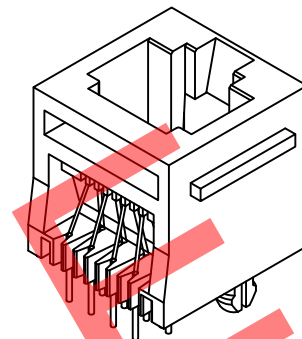


Recommended PCB Layout
as viewed from component side
□ Component Outline



Specifications 规格

Material 物料

Housing 塑胶外壳: High Temp Nylon UL94V-0 or Glass Filled Polyester UL94V-0, Black
Contact 端子材料: Phosphor Bronze $\phi 0.45\text{mm}$

Plating 电镀

Contact Area: Gold Plating over Nickel
Tails: Gold Plating over Nickel

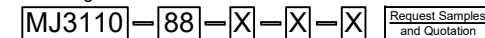
Electrical 电气

Voltage Rating 电压额定值: 150 V AC
Current Rating 电流额定值: 1.5 Amp
Contact Resistance 接触电阻值: 30m Ω max.
Insulation Resistance 绝缘电阻值: 500M Ω min.
Dielectric Strength 电介质强度: 1000 VAC, 1 min.

Mechanical & Environmental 机械 & 环境

Storage Temperature 储存温度: -10°C to +70°C
Operation Temperature 使用温度: -40°C to +85°C
Operating Life 使用寿命: 1000 Cycles min.

Ordering Grid

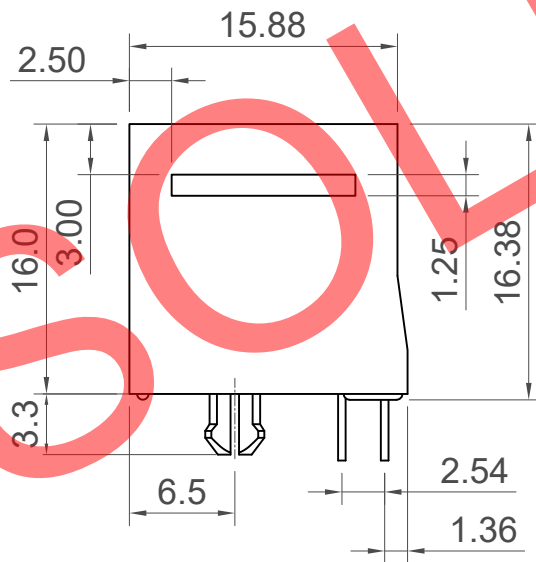
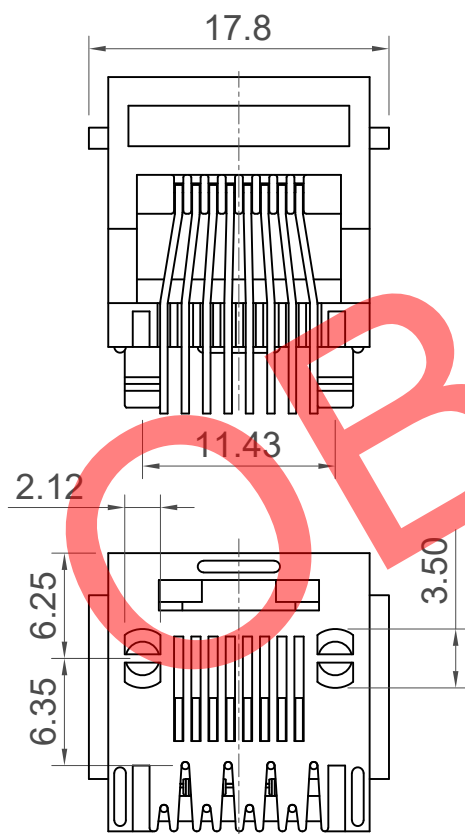


No. of Positions/
Positions Loaded
88=8/8

Insulator Material
N = High Temp Nylon (Standard)
P = Glass Filled Polyester

Panel Stop
0 = Without (Standard)
1 = With

Plating
2 = 6 μ " Gold (Standard)
4 = 30 μ " Gold
5 = 50 μ " Gold



Part Number		Product Description	
MJ3110-88		Modular Jack Connector	
Drawing Date		8 Position, Category 3, Vertical Through Hole	
13th May 2010			
By	CC	Tolerances (Except as Noted)	Units:
Detail	Obsolete	Length	Metric (mm)
Revision	X	X.X ± 0.25	 3rd Angle Projection
Date	09/08/22	X.XX ± 0.15	
		X.XXX ± 0.075	



This drawing is confidential and copyright of Global Connector Technology Ltd (GCT). This drawing must not be copied or disclosed without written consent. E & OE



Not to Scale	Drawn By PKN	Sheet No. 1/2
--------------	--------------	---------------

1. Packing Material 包材 - PVC Tray 1 PC

Quantity 數量 -

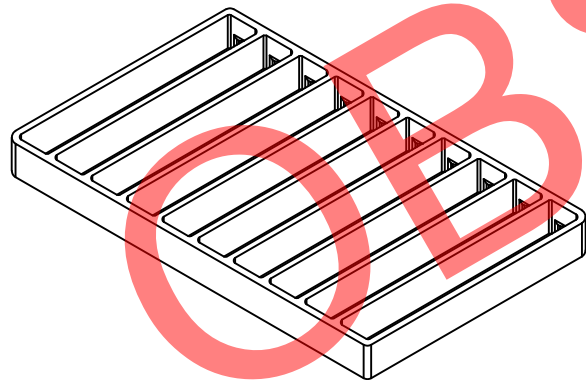
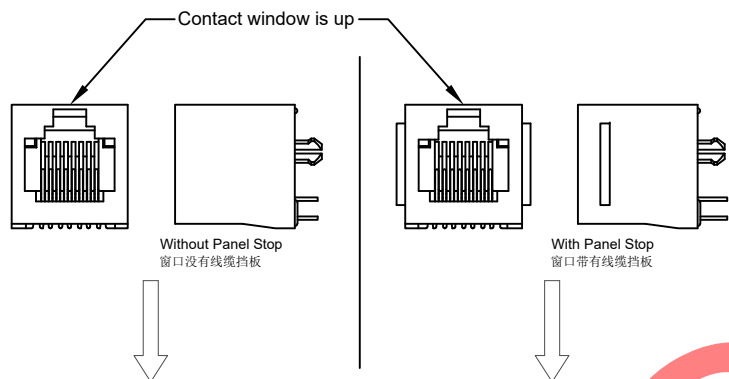
With Panel Stop 窗口带有线缆挡板: 1*90=90 PCS

Without Panel Stop 窗口没有线缆挡板: 1*100=100 PCS

Tray: Body and Cover 真空盒上下蓋各 - 1PCS Each

Tracing Label 流程單編號標籤 - 1 PCS

Lead Free Label 無鉛製程標籤 - 1PCS



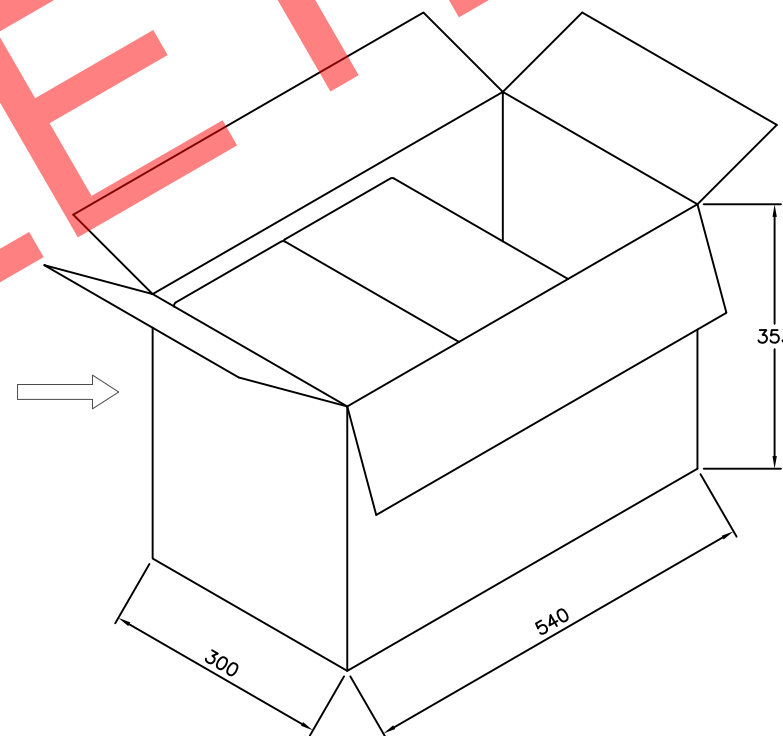
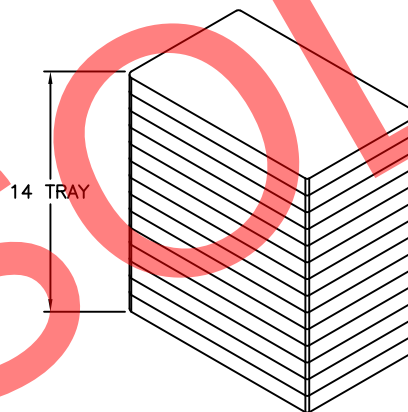
2. Packing Material 包材 - Carton 1 PC




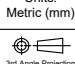
Quantity 數量 -

With Panel Stop 窗口带有线缆挡板: 90*42=3780 PCS

Without Panel Stop 窗口没有线缆挡板: 100*42=4200 PCS

Part Number 零部件料号	Panel Stop 线缆挡板	Net Weight 淨重	Gross Weight 毛重	Q'TY 數量
MJ3110-88-1-X-X	With	13.1Kg	17.1±0.3Kg	3780
MJ3110-88-0-X-X	Without	12.4Kg	16.4±0.3Kg	4200



Part Number MJ3110-88		Product Description Modular Jack Connector 8 Position, Category 3, Vertical Through Hole		 www.gct.co
Drawing Date 13th May 2010				
By CC	Detail Obsolete	Tolerances (Except as Noted) Length Angle	Units: Metric (mm)	This drawing is confidential and copyright of Global Connector Technology, Ltd (GCT). This drawing must not be copied or disclosed without written consent. E & OE
Revision X	Date 09/08/22		 	
				
				Not to Scale Drawn By PKN Sheet No. 2/2