

Specification 规格:

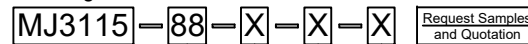
Electrical 电气规格:

Voltage Rating 电压额定值: 125 V AC (RMS)
 Current Rating 电流额定值: 1.5 Amp
 Contact Resistance 接触电阻值: 30mΩ Max.
 Insulation Resistance 绝缘电阻值: 1000MΩ Min. @ 500 VDC
 Dielectric Strength 铁壳材料: 1000 VAC RMS 60Hz, 1 Min.
 Pin to Pin 针对针: 1000 VAC RMS 60Hz, 1 Min.
 Pin to Shield 针对铁壳: 1500 VAC RMS 60Hz, 1 Min.

Material 物料规格:

Housing Material 塑胶外壳: High Temp Nylon UL94V-0 or Glass Filled Polyester, Black
 Contact Material 端子材料: Phosphor Bronze 0.35mm Thickness
 Shield Material: Copper C2680. Nickel Plated
 Plating 电镀规格: Gold Plating over Nickel
 Operating Life 使用寿命: 750 Cycles Min.
 PCB Retention Force Before Solder 焊接前保持力: 1 LB Min.
 PCB Retention Force After Solder 焊接后保持力: 10 LBS Min.

Ordering Grid

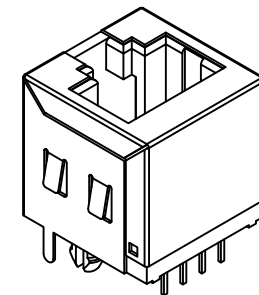


No. of Positions/
Positions Loaded
88=8/8

Panel Ground
0=Without (Standard)
1=With

Insulator Material
N=High Temp Nylon (Standard)
P=Glass Filled Polyester

Contact Plating
2=6μ" Gold (Standard)
4=30μ" Gold



Environmental 环境的:

Storage Temperature 储存温度: -40°C to +85°C
 Operation Temperature 使用温度: -40°C to +85°C

Part Number		Product Description	
MJ3115 - 8 Position		Modular Jack Connector, 8 Position, Category 3,	
Drawing Date		Vertical, Through Hole, Shielded, Optional Panel Ground	
11th May 2010			
By	AJO	Tolerances (Except as Noted)	Units:
Detail	MJ3115 B PCN	Length	Metric (mm)
Revision	B	Angle	RoHS COMPLIANT 2011/65/EU
Date	01/08/16	X. ± 0.20 X.X ± 0.15 X.XX ± 0.10	± 5°
		3rd Angle Projection	

This drawing is confidential and copyright of Global Connector Technology, Ltd (GCT). This drawing must not be copied or disclosed without written consent. E & OE

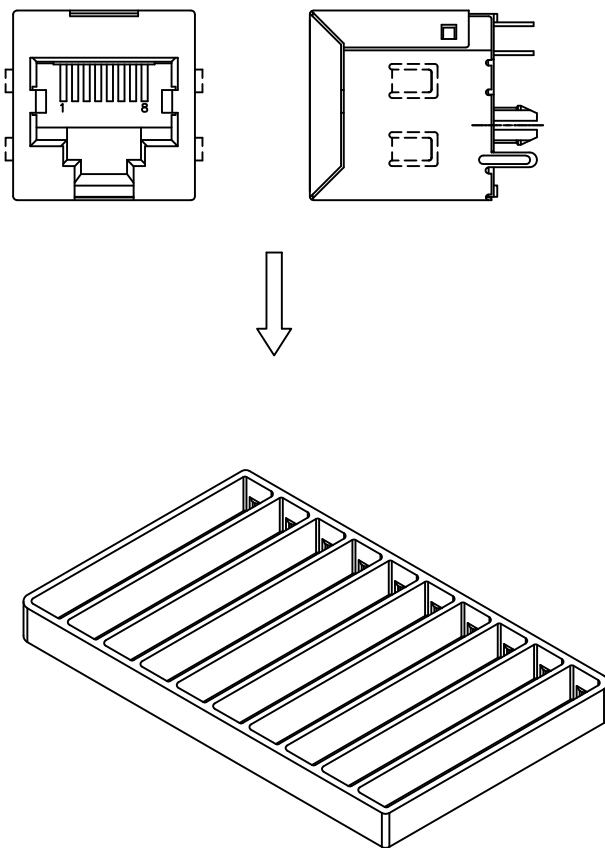


Not to Scale	Drawn By AJO	Sheet No. 1/2
--------------	--------------	---------------

1. Packing Material 包材 - Tray 1 PC

Quantity 數量 - 1*60=60 PCS

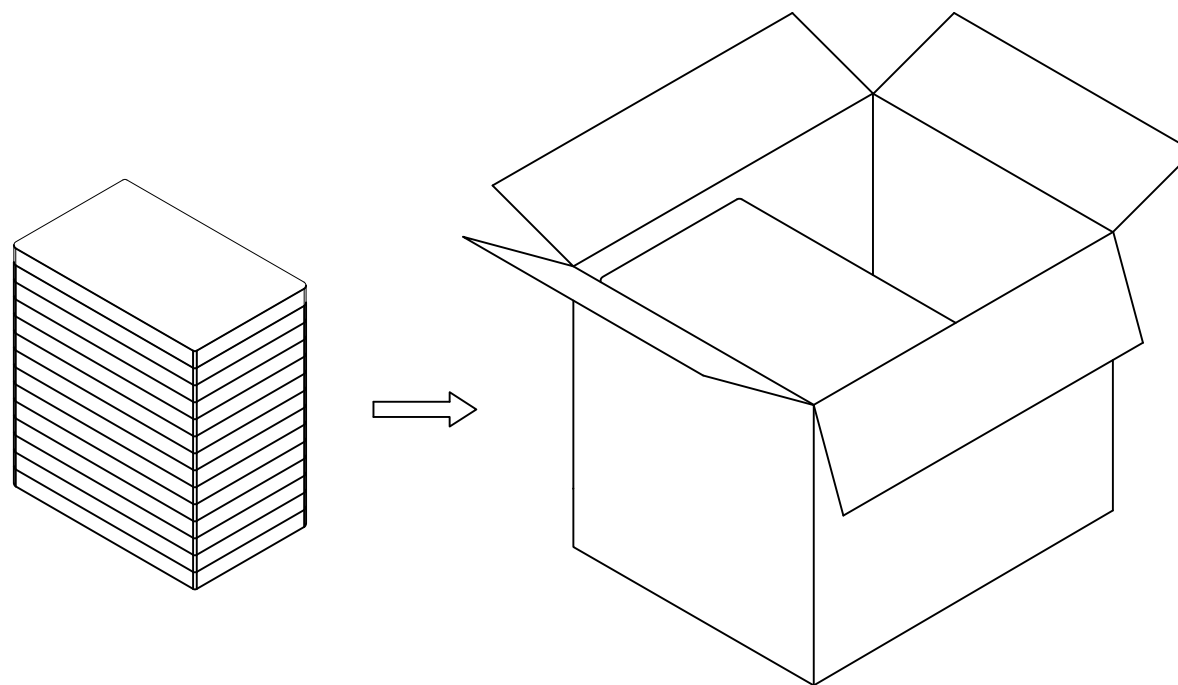
Tray: Body and Cover 真空盒上下蓋各 - 1PC Each
Label 标签 - 1 PC





2. Packing Material 包材 - Carton - 380*315*290 - 1 PC

Quantity 數量 - 60*24=1440 PCS

Part Number 零部件料号	Net Weight 淨重	Gross Weight 毛重	Q'TY 數量
MJ3115-88-X-X-X	9.93Kg	10.25Kg	1400



Part Number		Product Description		 www.gct.co
MJ3115 - 8 Position		Modular Jack Connector, 8 Position, Category 3, Vertical, Through Hole, Shielded, Optional Panel Ground		
Drawing Date 11th May 2010				
By	AJO	Tolerances (Except as Noted) Length	Angle	Units: Metric (mm)  This drawing is confidential and copyright of Global Connector Technology, Ltd (GCT). This drawing must not be copied or disclosed without written consent. E & OE
Detail	MJ3115 B PCN			
Revision	B			Not to Scale Drawn By AJO Sheet No. 2/2
Date	01/08/16			