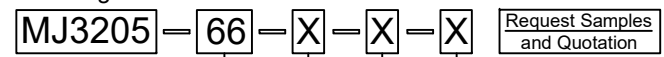


Ordering Grid



No. of Positions/
Positions Loaded
66=6/6

Panel Stop
0=Without (Standard)
1=With

Insulator Material
N=High Temp Nylon (Standard)
P=Glass Filled Polyester

Contact Plating
2=6μ" Gold (Standard)
4=30μ" Gold
5=50μ" Gold

Specifications 规格

Electrical 电气

- Voltage Rating 电压额定值: 150 V AC
- Current Rating 电流额定值: 1.5 Amp
- Contact Resistance 接触电阻值: 30mΩ Max.
- Insulation Resistance 绝缘电阻值: 500MΩ Min.
- Dielectric Strength 电介质强度: 1000 VAC, 1 Min.

Material 物料

- Plastic Housing 塑胶外壳: High Temp Nylon UL94V-0 or Glass Filled Polyester UL94V-0, Black

Contact 接触

Spring Wire 圆针: Phosphor Bronze ø0.45mm

Plating 电镀规格:

- Contact Area: Gold Plating over Nickel
- Tails: Gold Plating over Nickel

Mechanical & Environmental 机械 & 环境

- Storage Temperature 储存温度: -10°C to +70°C
- Operation Temperature 使用温度: -40°C to +85°C
- Durability 耐久性: 1,000 Cycles min.

Part Number		Product Description	
MJ3205-66		Modular Jack Connector, 6 Position, Category 3, Right Angle Through Hole, Standard Profile, Inverted Latch	
Drawing Date		13th May 2010	
By	AJO	Tolerances (Except as Noted)	Units:
Detail	MJ3205-66-0-2-N B PCN	Length X.X ± 0.25 X.XX ± 0.15 Date 19/04/16	Metric (mm)
Revision	B	Angle X.XXX ± 0.075	3rd Angle Projection



This drawing is confidential and copyright of Global Connector Technology, Ltd (GCT). This drawing must not be copied or disclosed without written consent. E & OE



Not to Scale	Drawn By PKN	Sheet No. 1/2
--------------	--------------	---------------

1. Packing Material 包材 - PVC Tray 1 PC

Quantity 數量 -

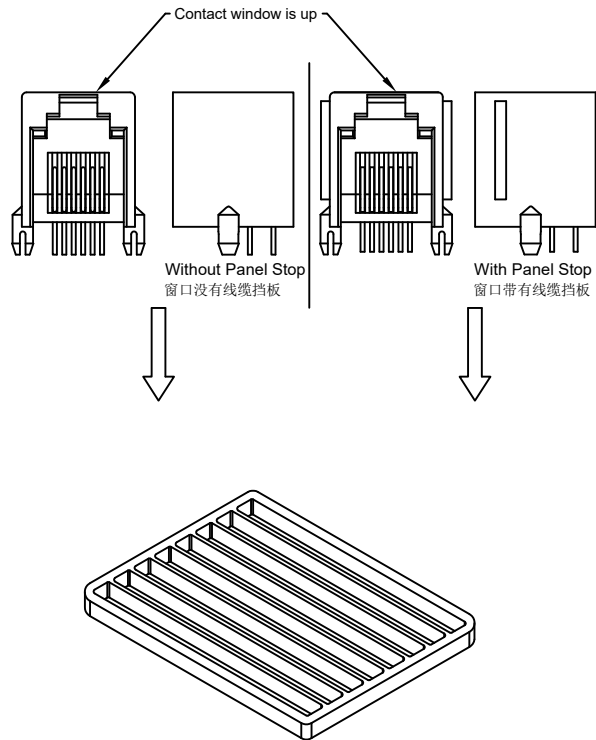
With Panel Stop 窗口带有线缆挡板: 17*8=136 PCS

Without Panel Stop 窗口没有线缆挡板: 17*8=136 PCS

Tray: Body and Cover 真空盒上下蓋各 - 1PCS Each

Tracing Label 流程單編號標籤 - 1 PCS

Lead Free Label 無鉛製程標籤 - 1PCS

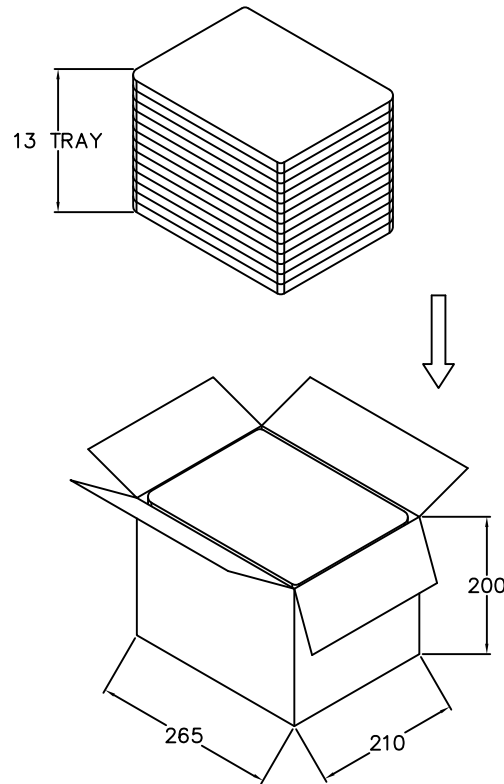


2. Packing Material 包材 - Carton 1 PC

Quantity 數量 -

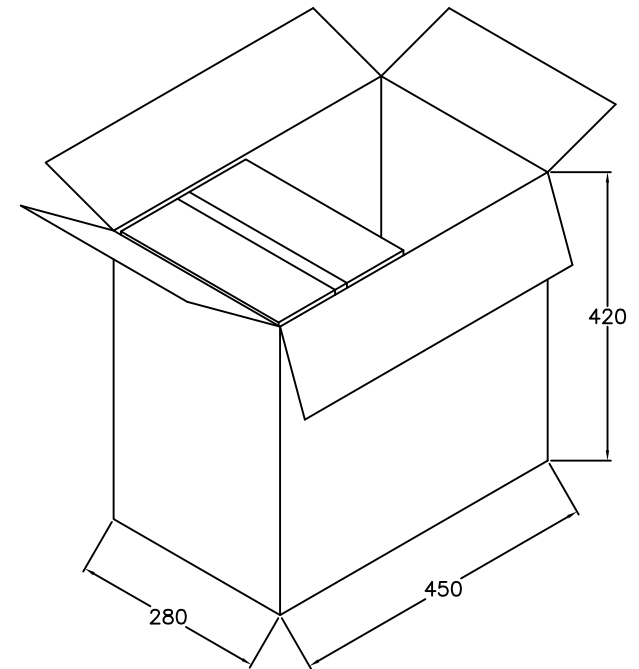
With Panel Stop 窗口带有线缆挡板: 136*13=1768 PCS

Without Panel Stop 窗口没有线缆挡板: 136*13=1768 PCS



3.

Part Number 零部件料号	Panel Stop 线缆挡板	Net Weight 淨重	Gross Weight 毛重	Q'TY 數量
MJ3205-XX-0-X-X	With	12Kg	16±0.3Kg	7072
MJ3205-XX-1-X-X	Without	12.7Kg	16.7±0.3Kg	7072



Part Number MJ3205-66		Product Description Modular Jack Connector, 6 Position, Category 3, Right Angle Through Hole, Standard Profile, Inverted Latch		
Drawing Date 13th May 2010				
By AJO	Tolerances (Except as Noted) Length	Units: Metric (mm)	 This drawing is confidential and copyright of Global Connector Technology, Ltd (GCT). This drawing must not be copied or disclosed without written consent. E & OE	
Detail MJ3205-66-0-2-N B PCN	X.X ± 0.25 X.XX ± 0.15 X.XXX ± 0.075			
Revision B	Date 19/04/16			Not to Scale Drawn By PKN Sheet No. 2/2

