

Specifications 规格

Material 物料

Housing Material 塑胶外壳:

High Temp Nylon UL94V-0 or
Glass Filled Polyester, Black

Contact Material 端子材料:

Phosphor Bronze 0.35mm Thickness

Plating 电镀

Contact Area - Selective Gold Plating

Tails - Plated Tin Over Nickel

Electrical 电气

Current Rating 电流额定值: 1.5 Amp

Contact Resistance 接触电阻值: 50 mΩ max.

Insulation Resistance 绝缘电阻值: 1000 MΩ min. @500V DC

Dielectric Withstand Voltage 耐电压: 1000 V AC RMS 60Hz, 1Min.

Mechanical & Environmental 机械 & 环境

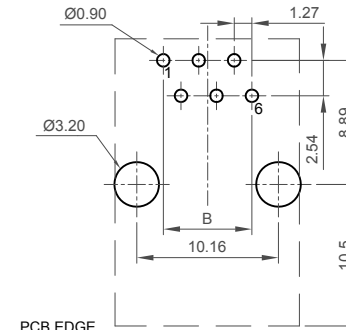
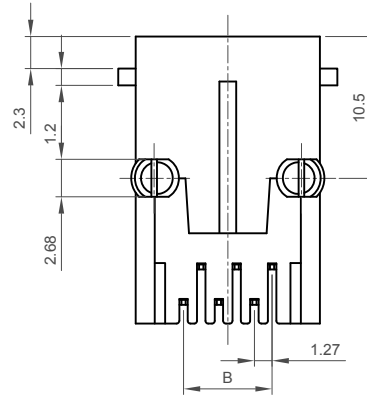
Storage Temperature 储存温度: -40°C to +85°C

Operation Temperature 使用温度: -40°C to +85°C

Operating Life 使用寿命: 750 Cycles Min.

PCB Retention Force Before Solder 焊接前保持力: 1 LB Min.

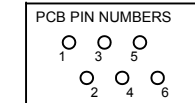
PCB Retention Force After Solder 焊接后保持力: 10 LBS Min.



Recommended PCB Layout
As Viewed from Component Side

Dimension Table		
No. Of Positions	Positions Loaded	Dim. B
6	4	3.81
6	6	6.35

6 POSITIONS LOADED LAYOUT



FOR 4 POSITIONS LOADED REMOVE PINS 1&6

Ordering Grid



No. of Positions/
Positions Loaded
4=6/4
6=6/6

Insulator Material
N=High Temp Nylon (Standard)
P=Glass Filled Polyester

Contact Plating
2=6μ" Gold (Standard)
4=30μ" Gold

Panel Stop/ Peg Option

- 1=With Panel Stop, Peg Type A
- 2=Without Panel Stop, Peg Type A
- 3= With Panel Stop, Peg Type B (Standard)
- 4= Without Panel Stop, Peg Type B (Standard)

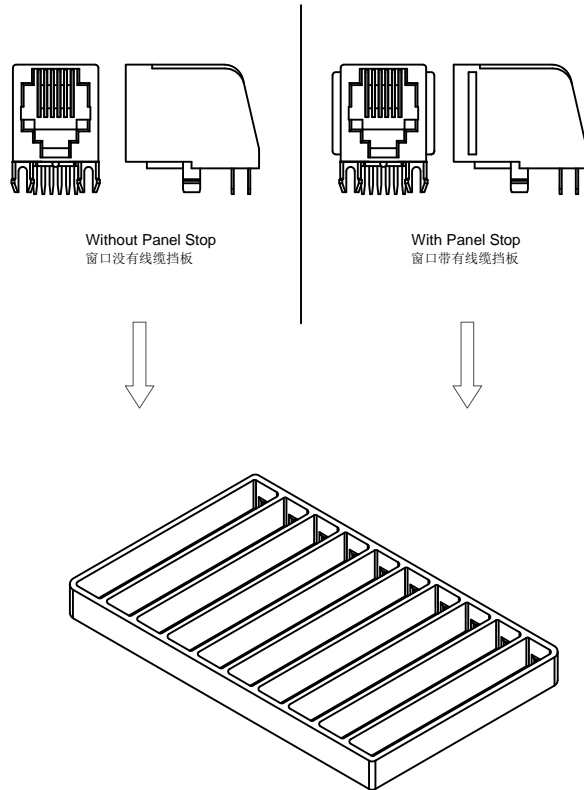
Part Number		Product Description	
MJ3215-6		Modular Jack Connector, 6 Position, Category 3, Right Angle Through Hole, Standard Profile, Standard Latch	
Drawing Date		10th May 2010	
By	CC	Tolerances (Except as Noted)	Units:
Detail	MJ3215-6 C PCN	Length X.X ± 0.20 X.XX ± 0.15 X.XXX ± 0.10	Metric (mm)
Revision	C1	± 5°	3rd Angle Projection
Date	31/05/17		
		This drawing is confidential and copyright of Global Connector Technology, Ltd (GCT). This drawing must not be copied or disclosed without written consent. E & OE	
Not to Scale	Drawn By PKN	Sheet No. 1/2	



1. Packing Material 包材 - Tray 1 PC

Quantity 數量 - 1*110=110 PCS

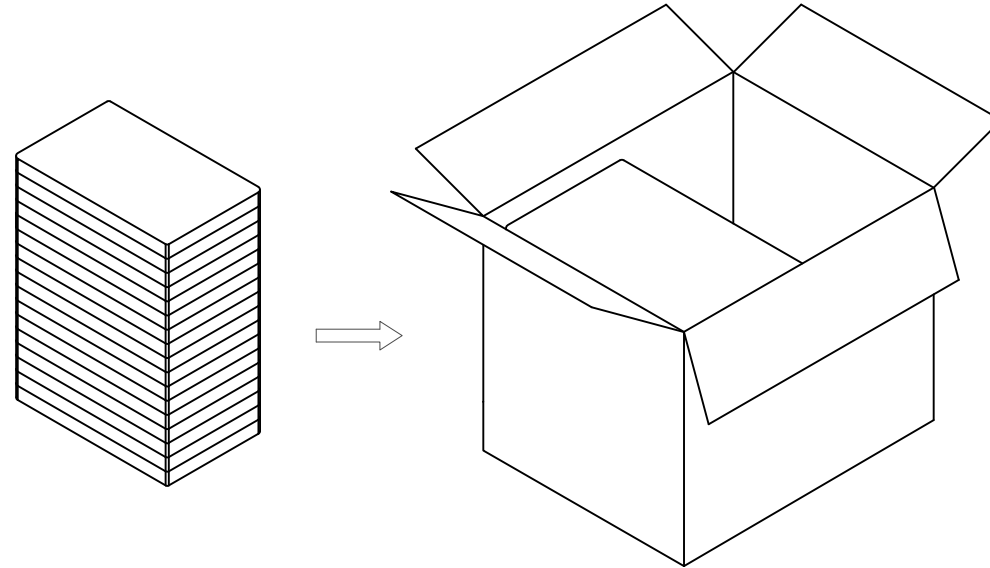
Tray: Body and Cover 真空盒上下蓋各 - 1PC Each
Label 标签 - 1 PC



2. Packing Material 包材 - Carton - 380*320*490 - 1 PC

Quantity 數量 - 110*40=4400 PCS

Part Number 零部件料号	Panel Stop 线缆挡板	Net Weight 淨重	Gross Weight 毛重	Q'TY 數量
MJ3215-64-1-X-X	With	14.96Kg	18.51Kg	4400
MJ3215-66-1-X-X	With	17.36Kg	21.34Kg	4400



Part Number MJ3215-6		Product Description Modular Jack Connector, 6 Position, Category 3, Right Angle Through Hole, Standard Profile, Standard Latch		
Drawing Date 10th May 2010				
By CC	Detail MJ3215-6 C PCN	Tolerances (Except as Noted) Length	Units: Metric (mm)	 This drawing is confidential and copyright of Global Connector Technology, Ltd (GCT). This drawing must not be copied or disclosed without written consent. E & OE
Revision C1	Date 31/05/17	Angle	 3rd Angle Projection	
Not to Scale	Drawn By PKN	Sheet No. 2/2		 www.gct.co