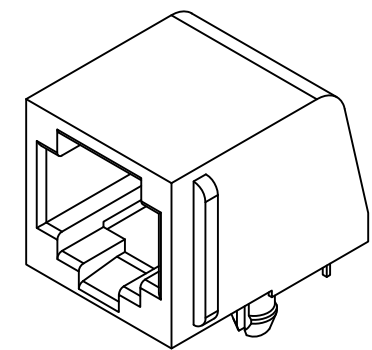
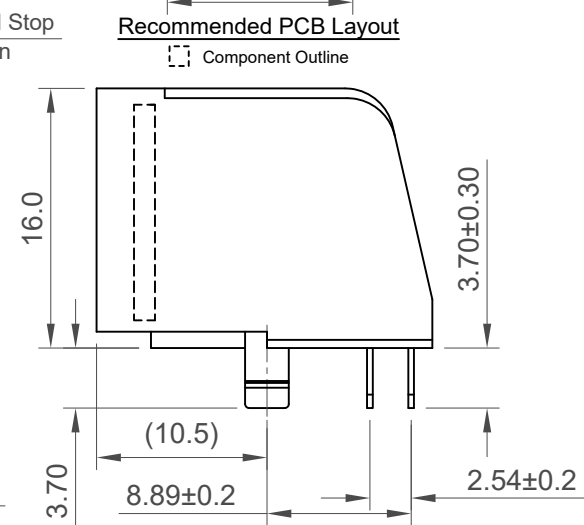
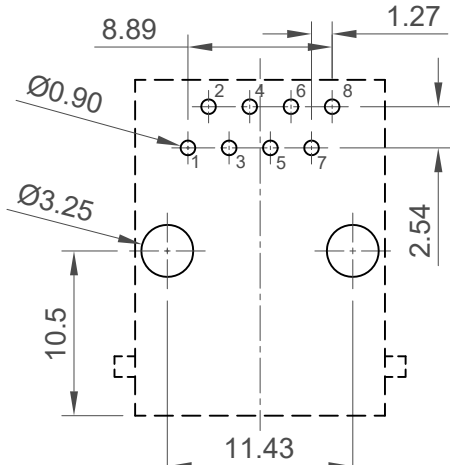
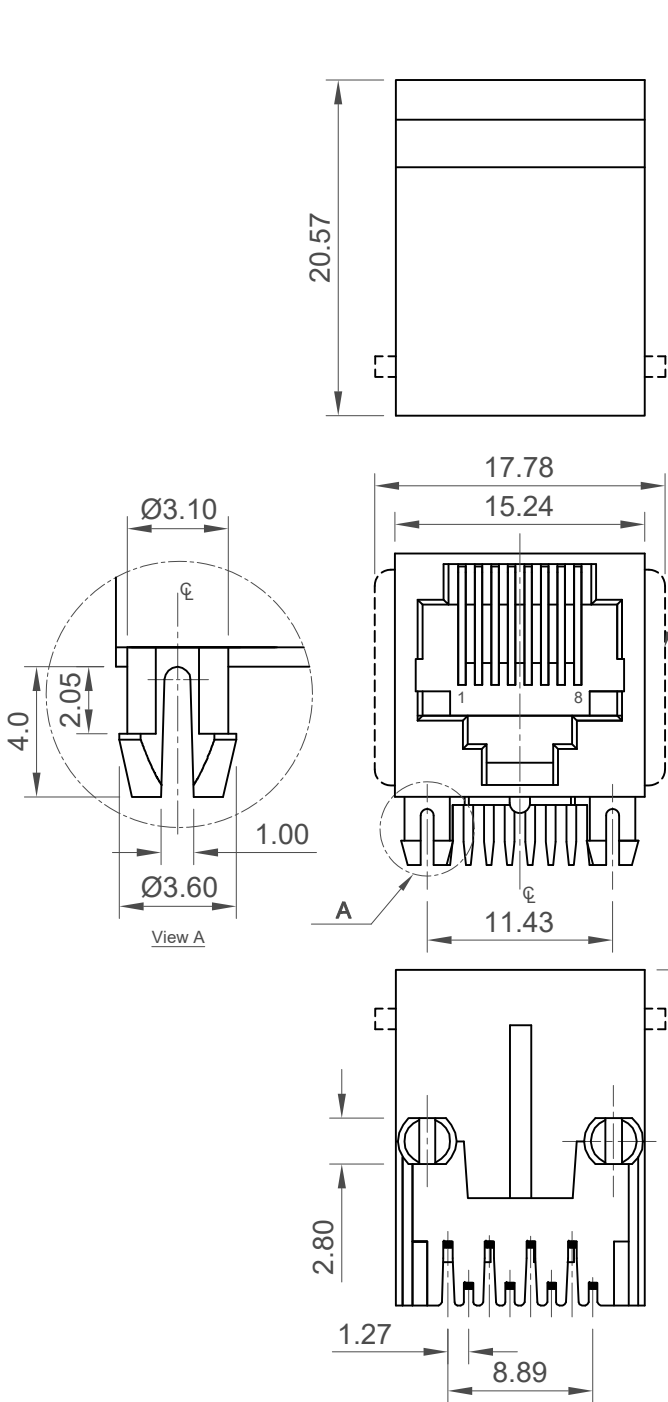


H
G
F
E
D
C
B
A



Specification 规格:

Electrical 电气规格:
 Voltage Rating 电压额定值: 125 V AC (RMS)
 Current Rating 电流额定值: 1.5 Amp
 Contact Resistance 接触电阻值: 50 mΩ max.
 Insulation Resistance 绝缘电阻值: 1000 MΩ min. @ 500 VDC
 Dielectric Strength 电介质强度: 1000 VAC RMS 60Hz, 60 sec

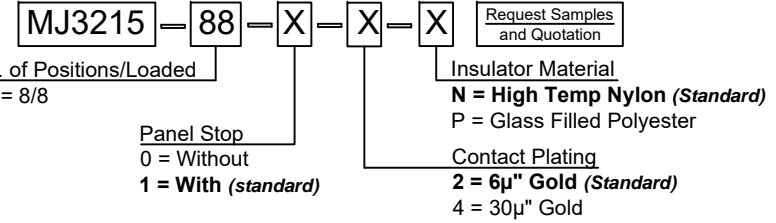
Material 物料规格:

Housing Material 塑胶外壳: High Temp Nylon UL94V-0 or Glass Filled Polyester, Black
 Contact Material 端子材料: Phosphor Bronze 0.35mm Thickness
 Plating 电镀规格:
 1. Contact Area - Selective Gold Plating
 2. Tails - Plated Tin Over Nickel
 Operating Life 使用寿命: 750 Cycles Min.
 PCB Retention Force Before Solder 焊接前保持力: 1 lb min.
 PCB Retention Force After Solder 焊接后保持力: 10 lbs min.

Environmental 环境的:

Storage Temperature 储存温度: -40°C to +85°C
 Operation Temperature 使用温度: -40°C to +85°C

Ordering Grid



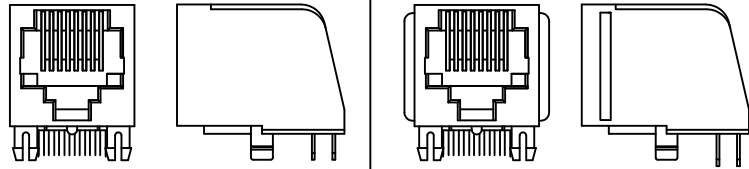
Part Number		Product Description	
MJ3215-88		Modular Jack Connector - 8 Position Category 3	
Drawing Date		Right Angle Through Hole, Standard Profile & Latch	
11th May 2010			
By	AJO	Tolerances (Except as Noted)	Units:
Detail	MJ3215-88 D PCN	Length X.X ± 0.20	Metric (mm)
Revision	D	Angle X.XX ± 0.15	± 5°
Date	05/08/14	X.XXX ± 0.10	3rd Angle Projection



1. Packing Material 包材 - Tray 1 PC

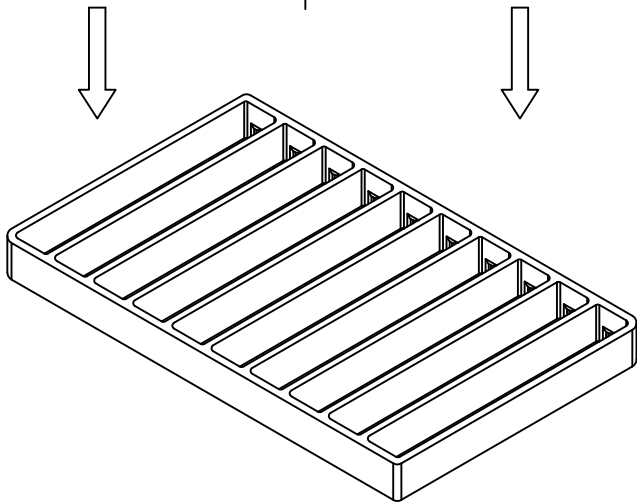
Quantity 數量 - 1*90=90 PCS

Tray: Body and Cover 真空盒上下蓋各 - 1PC Each
Label 标签 - 1 PC



Without Panel Stop
窗口没有线缆挡板

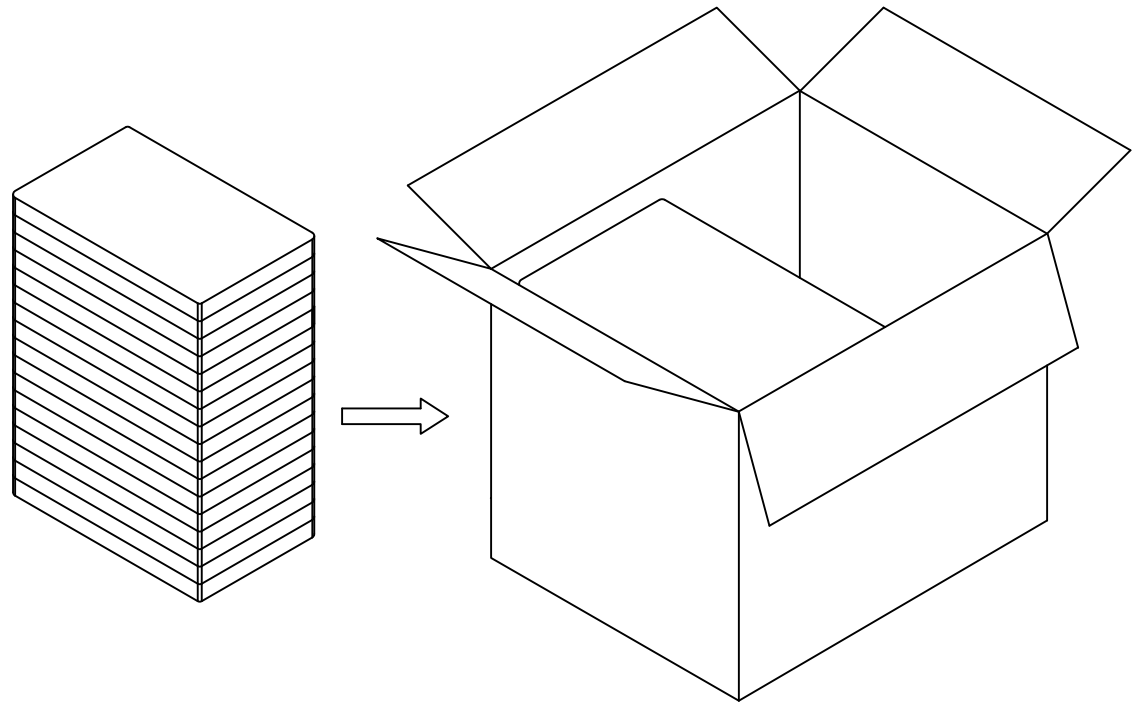
With Panel Stop
窗口带有线缆挡板



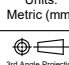


2. Packing Material 包材 - Carton - 380*320*490 - 1 PC

Quantity 數量 - 90*40=3600 PCS

Part Number 零部件料号	Panel Stop 线缆挡板	Net Weight 淨重	Gross Weight 毛重	Q'TY 數量
MJ3215-88-1-X-X	With	15.26Kg	19.89Kg	3600



Part Number MJ3215-88		Product Description Modular Jack Connector - 8 Position Category 3 Right Angle Through Hole, Standard Profile & Latch		 www.gct.co	
Drawing Date 11th May 2010					
By AJO	Tolerances (Except as Noted) Length Angle	Units: Metric (mm)	This drawing is confidential and copyright of Global Connector Technology, Ltd (GCT). This drawing must not be copied or disclosed without written consent. E & OE		
Detail MJ3215-88 D PCN		 RoHS COMPLIANT 2011/05/EU Deca-BDE	Not to Scale	Drawn By PKN	Sheet No. 2/2
Revision D		 3rd Angle Projection			
Date 05/08/14					