

RECOMMENDED PCB LAYOUT
AS VIEWED FROM COMPONENT SIDE

Specification 规格:

Electrical 电气规格:

Voltage Rating 电压额定值: 125 V AC (RMS)
 Current Rating 电流额定值: 1.5 Amp
 Contact Resistance 接触电阻值: 35mΩ Max.
 Insulation Resistance 绝缘电阻值: 1000MΩ Min. @ 500 VDC
 Dielectric Strength: 1000 VAC RMS 60Hz, 1 Min.

Material 物料规格:

Housing Material 塑胶外壳: Hi-Temp Thermoplastic UL94V-0, Black
 Contact Material: Phosphor Bronze t=0.35mm
 Plating 电镀规格: Gold Plating over Nickel
 Operating Life: 750 Cycles Min.
 PCB Retention Post Solder: 10 LBS Min.

Environmental:

Storage: -40°C to +85°C
 Operation: -40°C to +85°C
 IR Reflow Soldering Temperature: 255°C to 265°C, 5-10 seconds

Ordering Grid

MJ3310 - **44** - **X** - **X** Request Samples and Quotation

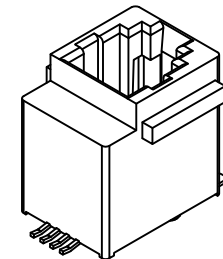
No. of Positions/
Positions Loaded
44 = 4/4

Mylar Film - for pick and place

A = Without
B = With (Standard)

Contact Plating

2 = 6μ" Gold (Standard)
 4 = 30μ" Gold
 5 = 50μ" Gold

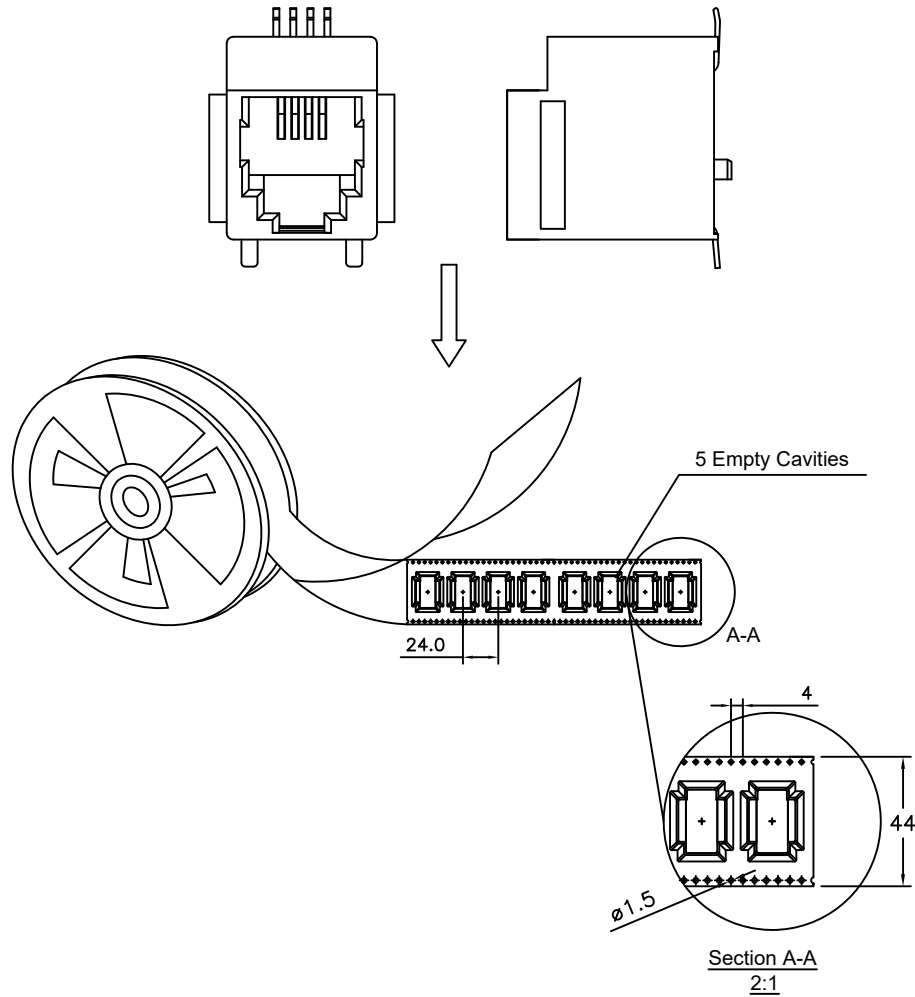


Part Number		Product Description						
MJ3310 - 4 Position		Modular Jack Connector, 4 Position, Category 3, Vertical SMT, Standard Profile, With Solder Tab, With PCB Peg						
Drawing Date 11th May 2010								
By	PKN	Tolerances (Except as Noted)	Units:			This drawing is confidential and copyright of Global Connector Technology, Ltd (GCT). This drawing must not be copied or disclosed without written consent. E & OE		
Detail	Drawing Release	Length	Metric (mm)					
Revision	A	X.X ± 0.20 X.XX ± 0.15 X.XXX ± 0.10	± 5°					
Date	11/05/10					Not to Scale	Drawn By PKN	Sheet No. 1/2

1. Packing Material 包材 - Tape Reel

Quantity 數量 - 1*150=150 PCS

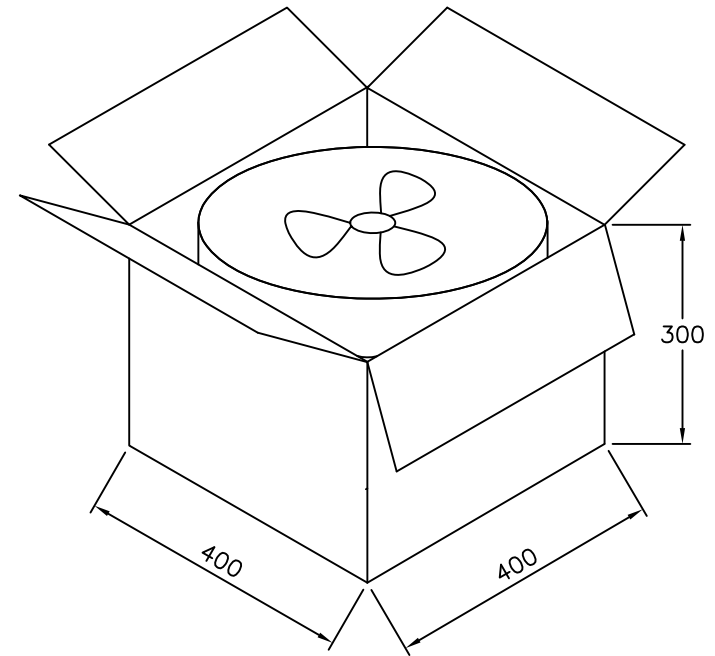
Tape Reel 卷帶 - Width 44 * Depth 15.7 * Pitch 24 = Total Length 4.1m
 Reel 卷盤 - ø380mm



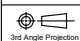


2. Packing Material 包材 - Carton 1 PC

Quantity 數量 - 150*6=900 PCS

Part Number 零部件料号	Net Weight 淨重	Gross Weight 毛重	Q'TY 數量
MJ3310-44-X-X	4.50Kg	6.00Kg	900



Part Number		Product Description		 www.gct.co	
MJ3310 - 4 Position		Modular Jack Connector, 4 Position, Category 3, Vertical SMT, Standard Profile, With Solder Tab, With PCB Peg			
Drawing Date 11th May 2010					
By	PKN	Tolerances (Except as Noted)	Units:	 This drawing is confidential and copyright of Global Connector Technology, Ltd (GCT). This drawing must not be copied or disclosed without written consent. E & OE	Not to Scale Drawn By PKN Sheet No. 2/2
Detail	Drawing Release	Length	Metric (mm)		
Revision	A	Angle	 3rd Angle Projection		
Date	11/05/10				