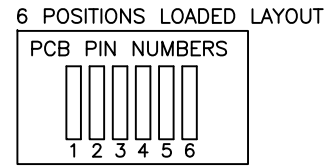


Dimension Table		
No. Of Positions	Positions Loaded	Dim. B
6	2	1.27
6	4	3.81
6	6	6.35



FOR 4 POSITIONS LOADED REMOVE PINS 1&6  
FOR 2 POSITIONS LOADED REMOVE PINS 1,2,5&6

RECOMMENDED PCB LAYOUT  
AS VIEWED FROM COMPONENT SIDE

Specification 规格:

Electrical 电气规格:

- Voltage Rating 电压额定值: 125 V AC (RMS)
- Current Rating 电流额定值: 1.5 Amp
- Contact Resistance 接触电阻值: 35mΩ Max.
- Insulation Resistance 绝缘电阻值: 1000MΩ Min. @ 500 VDC
- Dielectric Strength 电介质强度: 1000 VAC RMS 60Hz, 1 Min.

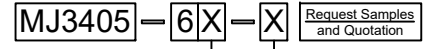
Material 物料规格:

- Housing Material 塑胶外壳: High Temp Nylon UL94V-0, Black
- Contact Material 端子材料: Phosphor Bronze 0.35mm Thickness
- Plating 电镀规格: Gold Plating over Nickel
- Operating Life 使用寿命: 750 Cycles Min.
- PCB Retention Force After Solder 焊接后保持力: 10 LBS Min.

Environmental 环境的:

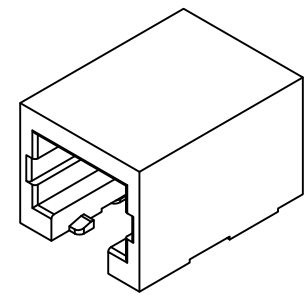
- Storage Temperature 储存温度: -40°C to +85°C
- Operation Temperature 使用温度: -40°C to +85°C

Ordering Grid



No. of Positions/  
Positions Loaded  
2 = 6/2  
4 = 6/4  
6 = 6/6

Contact Plating  
2 = 6μ" Gold (Standard)  
4 = 30μ" Gold

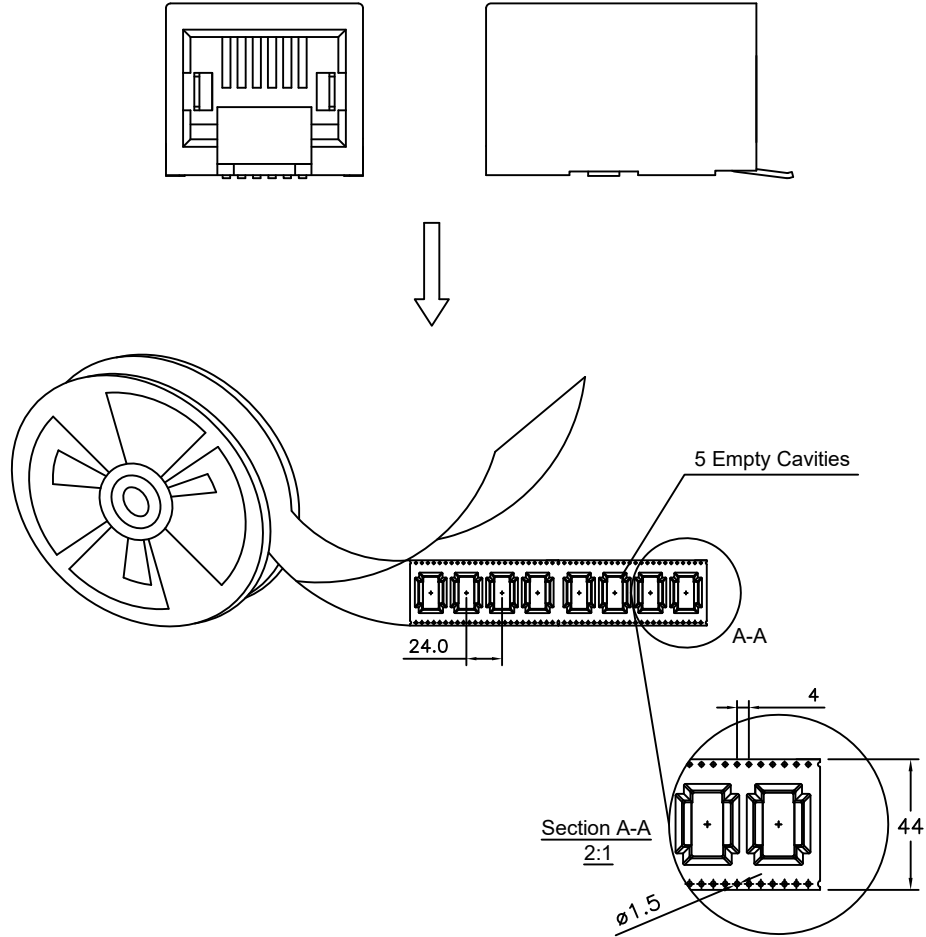


Part Number MJ3405 - 6 Position		Product Description Modular Jack Connector, 6 Position, Category 3, Right Angle SMT, With Inside Solder Tab, Standard Latch			 www.gct.co	
Drawing Date 12th May 2010		Units: Metric (mm)				
By AJO	Detail MJ3405-6 B PCN	Tolerances (Except as Noted) Length X.X ± 0.20 X.XX ± 0.15 X.XXX ± 0.10	Angle ± 5°		This drawing is confidential and copyright of Global Connector Technology, Ltd (GCT). This drawing must not be copied or disclosed without written consent. E & OE	
Revision B	Date 15/06/12					Not to Scale

1. Packing Material 包材 - Tape Reel

Quantity 數量 - 1\*150=150 PCS

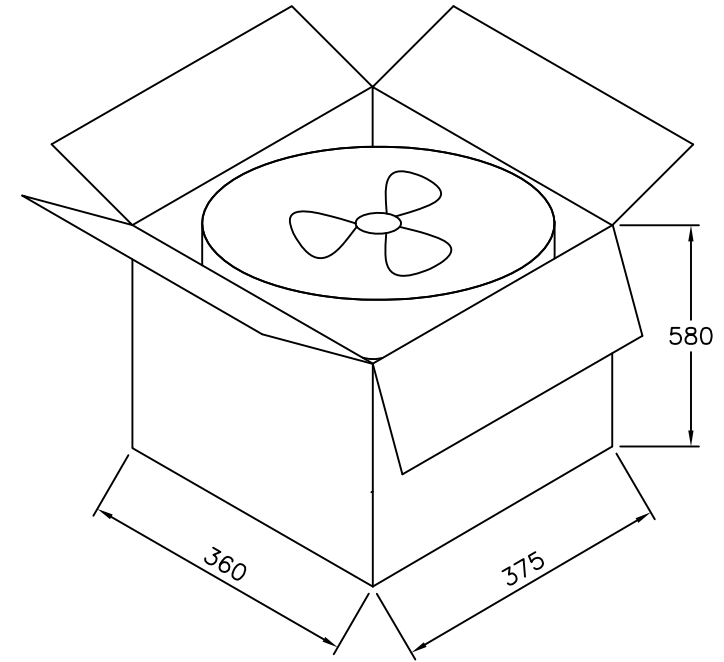
Tape Reel 卷帶 - Width 44 \* 0.5mm \* Pitch 24mm = Total Length 4.12m  
 Reel 卷盤 - ø330mm





2. Packing Material 包材 - Carton 1 PC

Quantity 數量 - 150\*10=1500 PCS

Part Number 零部件料号	Net Weight 淨重	Gross Weight 毛重	Q'TY 數量
MJ3405-62-X	9.00Kg	9.50Kg	1500
MJ3405-64-X	9.50Kg	10.00Kg	1500
MJ3405-66-X	10.00Kg	10.50Kg	1500



Part Number		Product Description		 www.gct.co
MJ3405 - 6 Position		Modular Jack Connector, 6 Position, Category 3, Right Angle SMT, With Inside Solder Tab, Standard Latch		
Drawing Date 12th May 2010				
By	AJO	Tolerances (Except as Noted)	Units:	This drawing is confidential and copyright of Global Connector Technology, Ltd (GCT). This drawing must not be copied or disclosed without written consent. E & OE
Detail	MJ3405-6 B PCN	Length	Metric (mm)	
Revision	B	X.X ± 0.20 X.XX ± 0.15 X.XXX ± 0.10	± 5°	
Date	15/06/12		3rd Angle Projection	
				Not to Scale Drawn By PKN Sheet No. 2/2