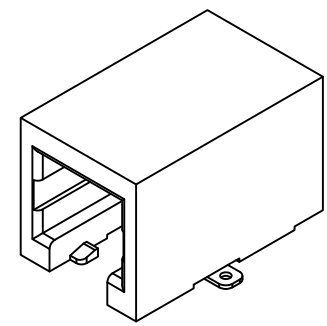


RECOMMENDED PCB LAYOUT
AS VIEWED FROM COMPONENT SIDE



D Specification 规格:

Electrical 电气规格:

Voltage Rating 电压额定值: 125 V AC (RMS)
 Current Rating 电流额定值: 1.5 Amp
 Contact Resistance 接触电阻值: 35mΩ Max.
 Insulation Resistance 绝缘电阻值: 1000MΩ Min. @ 500 VDC
 Dielectric Strength 电介质强度: 1000 VAC RMS 60Hz, 1 Min.

Material 物料规格:

Housing Material 塑胶外壳: Hi-Temp Thermoplastic UL94V-0, Black
 Contact Material 端子材料: Phosphor Bronze 0.35mm Thickness
 Plating 电镀规格: Gold Plating over Nickel
 Operating Life 使用寿命: 750 Cycles Min.
 PCB Retention Force After Solder 焊接后保持力: 10 LBS Min.

Environmental 环境的:

Storage Temperature 储存温度: -40°C to +85°C
 Operation Temperature 使用温度: -40°C to +85°C
 Wave Solder Temperature 波峰焊接温度: 255°C to 265°C, 5~10 seconds

Ordering Grid

MJ3410 - 44 - X
 No. of Positions/
 Positions Loaded
 44 = 4/4
 Contact Plating
 2 = 6μ" Gold (Standard)
 4 = 30μ" Gold

Part Number		Product Description	
MJ3410 4 Position		Modular Jack Connector, 4 Position, Category 3, Right Angle SMT, With Outside Solder Tab, Standard Latch	
Drawing Date		12th May 2010	
By	AJO	Tolerances (Except as Noted)	Units:
Detail	MJ3410 B PCN	Length	Metric (mm)
Revision	B	Angle	± 5°
Date	15/06/12	X.X ± 0.20 X.XX ± 0.15 X.XXX ± 0.10	



This drawing is confidential and copyright of Global Connector Technology, Ltd (GCT). This drawing must not be copied or disclosed without written consent. E & OE

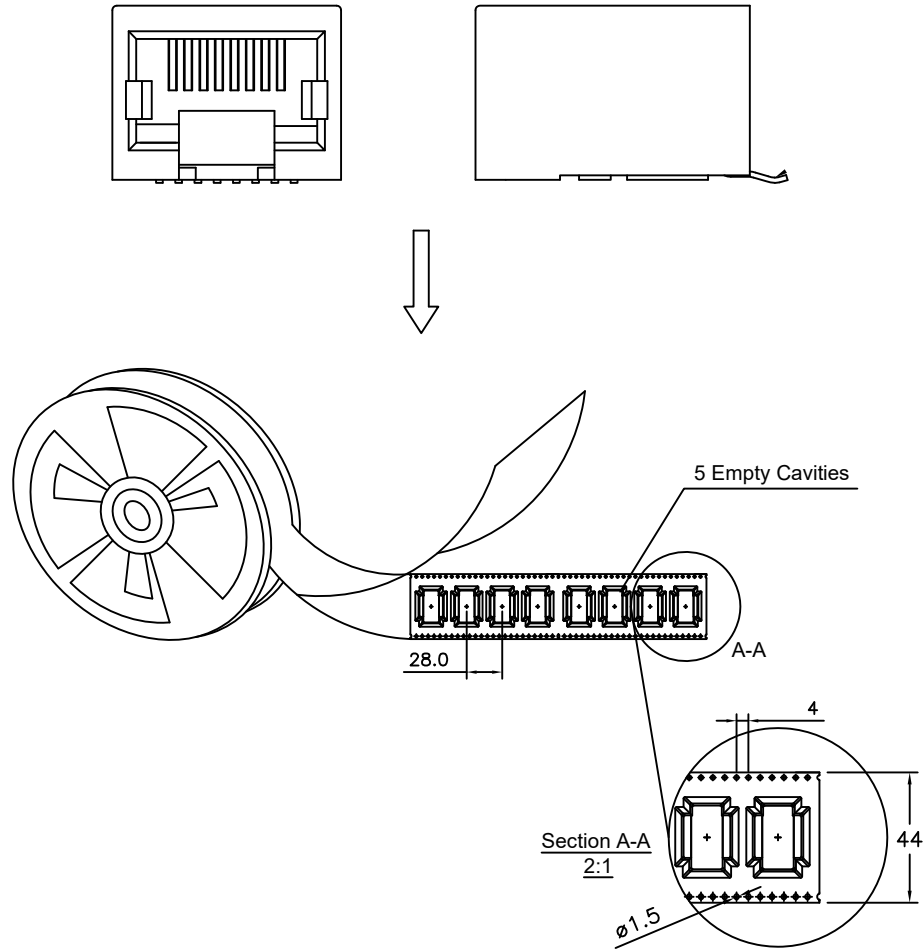


Not to Scale	Drawn By PKN	Sheet No. 1/2
--------------	--------------	---------------

1. Packing Material 包材 - Tape Reel

Quantity 數量 - 1*160=160 PCS

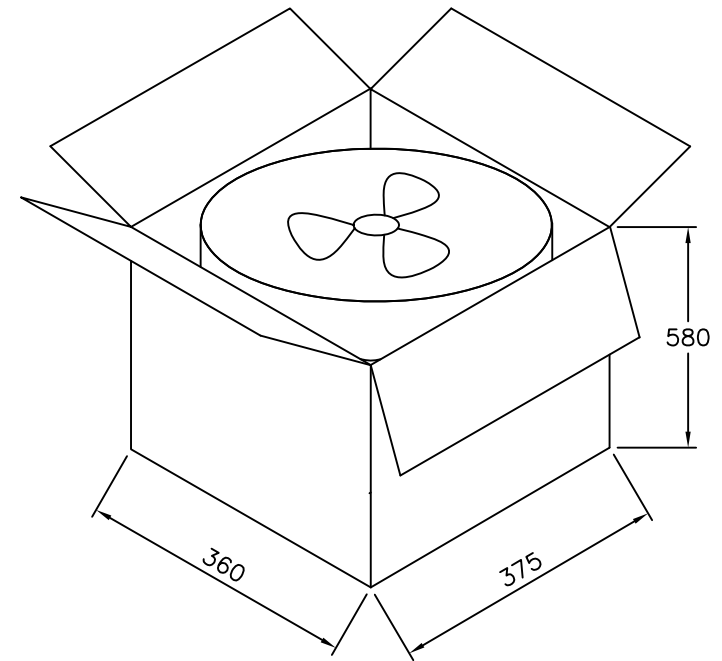
Tape Reel 卷帶 - Width 44 * 0.5mm * Pitch 24mm = Total Length 4.12m
 Reel 卷盤 - ø330mm






2. Packing Material 包材 - Carton 1 PC

Quantity 數量 - 160*10=1600 PCS

Part Number 零部件料号	Net Weight 淨重	Gross Weight 毛重	Q'TY 數量
MJ3410-44-X	7.50Kg	7.90Kg	1600



Part Number MJ3410 4 Position		Product Description Modular Jack Connector, 4 Position, Category 3, Right Angle SMT, With Outside Solder Tab, Standard Latch		 www.gct.co
Drawing Date 12th May 2010				
By AJO	Detail MJ3410 B PCN	Tolerances (Except as Noted) Length X.X ± 0.20 X.XX ± 0.15 X.XXX ± 0.10	Units: Metric (mm)	
Revision B	Date 15/06/12	± 5°	 3rd Angle Projection	
This drawing is confidential and copyright of Global Connector Technology, Ltd (GCT). This drawing must not be copied or disclosed without written consent. E & OE				Not to Scale Drawn By PKN Sheet No. 1/2