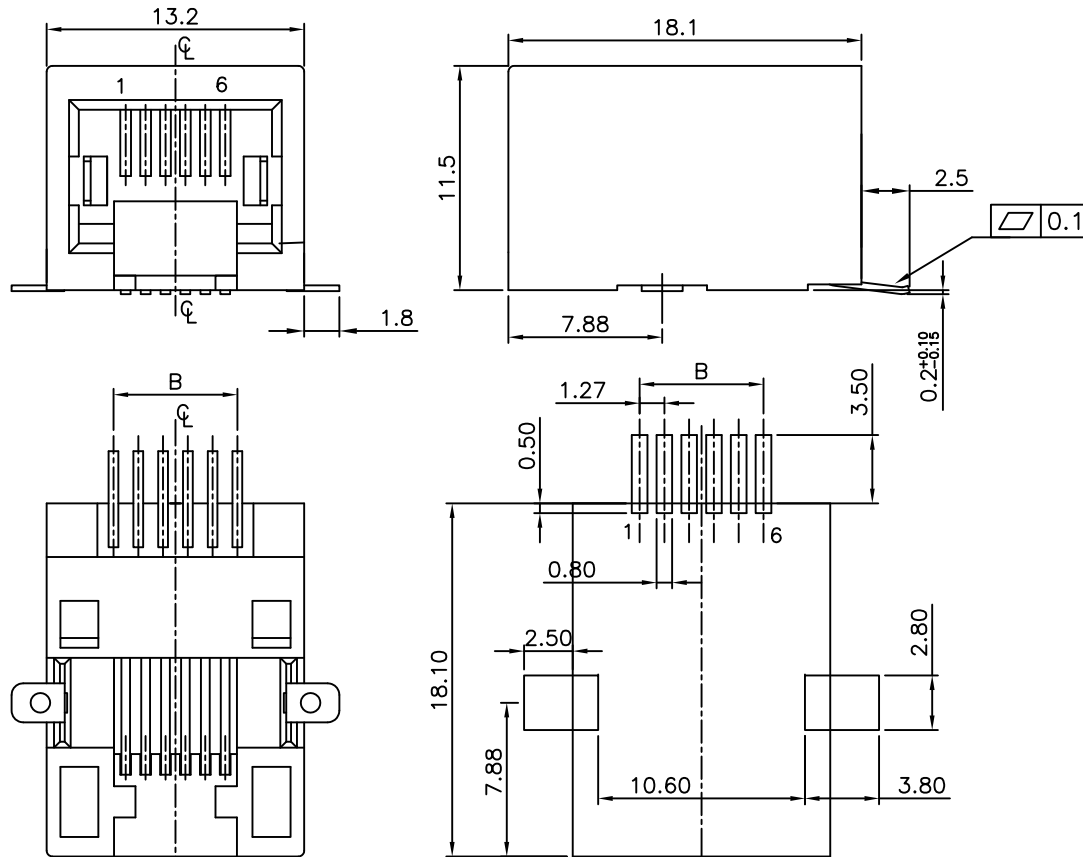
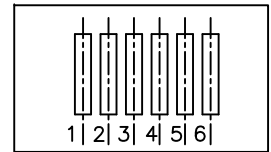


H  
G  
F  
E  
D  
C  
B  
A



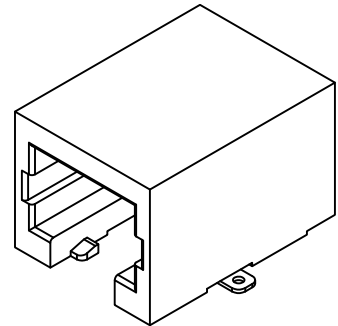
6 POSITIONS LOADED PCB LAYOUT



FOR 4 POSITIONS LOADED  
REMOVE SOLDER PADS 1&6

| Dimension Table  |                  |        |
|------------------|------------------|--------|
| No. Of Positions | Positions Loaded | Dim. B |
| 6                | 4                | 3.81   |
| 6                | 6                | 6.35   |

RECOMMENDED PCB LAYOUT  
AS VIEWED FROM COMPONENT SIDE



**Specification 规格:**

**Electrical 电气规格:**  
 Voltage Rating 电压额定值: 125 V AC (RMS)  
 Current Rating 电流额定值: 1.5 Amp  
 Contact Resistance 接触电阻值: 35mΩ Max.  
 Insulation Resistance 绝缘电阻值: 1000MΩ Min. @ 500 VDC  
 Dielectric Strength 电介质强度: 1000 VAC RMS 60Hz, 1 Min.

**Material 物料规格:**  
 Housing Material 塑胶外壳: High Temp Nylon UL94V-0, Black  
 Contact Material 端子材料: Phosphor Bronze 0.35mm Thickness  
 Plating 电镀规格: Gold Plating over Nickel  
 Operating Life 使用寿命: 750 Cycles Min.  
 PCB Retention Force After Solder 焊接后保持力: 10 LBS Min.

Ordering Grid

**MJ3410** - **6X** - **X** Request Samples and Quotation

No. of Positions/  
Positions Loaded

66 = 6/6  
64 = 6/4

Contact Plating  
 2 = 6μ" Gold (Standard)  
 4 = 30μ" Gold

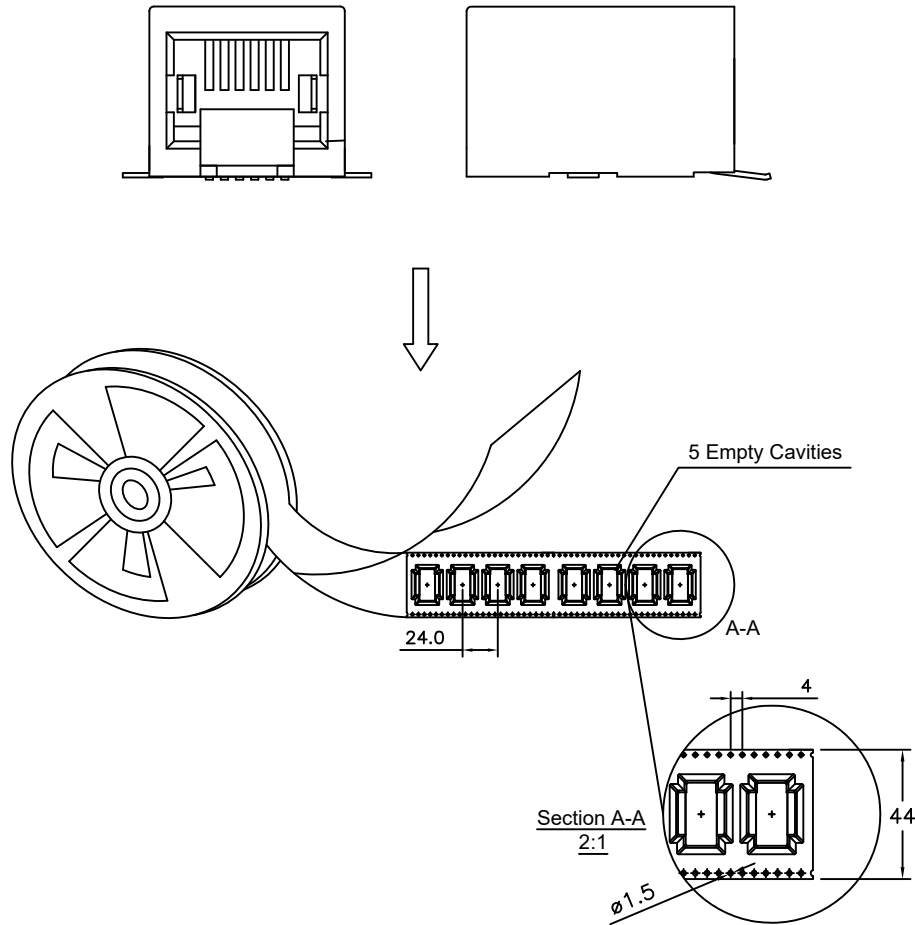
**Environmental 环境的:**  
 Storage Temperature 储存温度: -40°C to +85°C  
 Operation Temperature 使用温度: -40°C to +85°C

|                               |              |  |                      |   |   |
|-------------------------------|--------------|--|----------------------|---|---|
| Part Number                   |              | Product Description  |                      | <br>www.gct.co  |   |
| MJ3410 6 Position             |              | Modular Jack Connector, 4 Position, Category 3, Right Angle SMT, With Outside Solder Tab, Standard Latch |                      |   |   |
| Drawing Date<br>12th May 2010 |              |  |                      |   |   |
| By                            | AJO          | Tolerances (Except as Noted)   | Units:               | <br>This drawing is confidential and copyright of Global Connector Technology, Ltd (GCT).<br>This drawing must not be copied or disclosed without written consent. E & OE | Not to Scale<br>Drawn By PKN<br>Sheet No. 1/2 |
| Detail                        | MJ3410 C PCN | Length   | Metric (mm)          |   |   |
| Revision                      | C            | X.X ± 0.20<br>X.XX ± 0.15<br>X.XXX ± 0.10  | ± 5°                 |   |   |
| Date                          | 15/06/12     |  | 3rd Angle Projection |   |   |

1. Packing Material 包材 - Tape Reel

Quantity 數量 - 1\*150=150 PCS

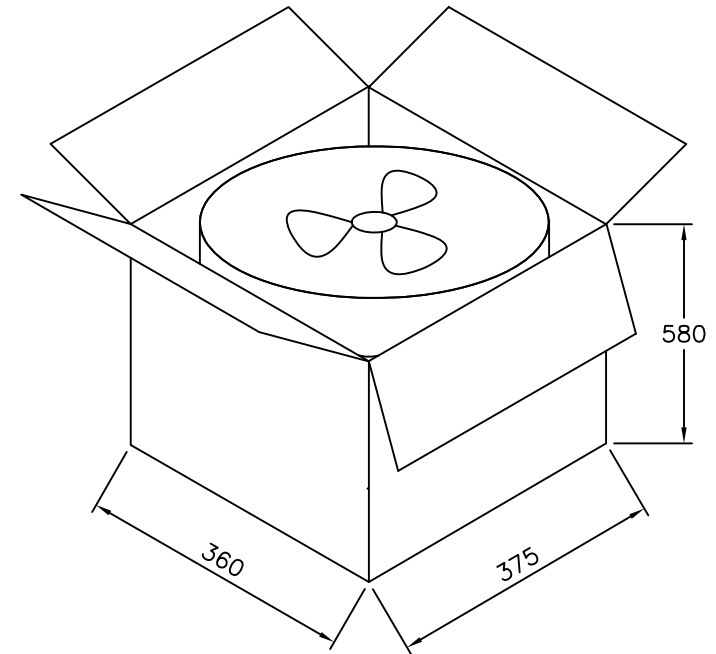
Tape Reel 卷帶 - Width 44 \* 0.5mm \* Pitch 24mm = Total Length 4.12m  
 Reel 卷盤 - ø330mm




2. Packing Material 包材 - Carton 1 PC

Quantity 數量 - 150\*10=1500 PCS

| Part Number<br>零部件料号 | Net Weight<br>淨重 | Gross Weight<br>毛重 | Q'TY<br>數量 |
|----------------------|------------------|--------------------|------------|
| MJ3410-6X-X          | 10.00Kg          | 10.50Kg            | 1500       |



|                               |                 |  |                      |   |
|-------------------------------|-----------------|--|----------------------|---|
| Part Number                   |                 | Product Description  |                      | <br>www.gct.co   |
| MJ3410 6 Position             |                 | Modular Jack Connector, 4 Position, Category 3, Right Angle SMT, With Outside Solder Tab, Standard Latch |                      |   |
| Drawing Date<br>12th May 2010 |                 |  |                      |   |
| By                            | AJO             | Tolerances (Except as Noted)   | Units:               | This drawing is confidential and copyright of Global Connector Technology, Ltd (GCT).<br>This drawing must not be copied or disclosed without written consent. E & OE |
| Detail                        | MJ3410<br>C PCN | Length   | Metric (mm)          |   |
| Revision                      | C               | X.X ± 0.20<br>X.XX ± 0.15<br>X.XXX ± 0.10  | ± 5°                 |   |
| Date                          | 15/06/12        |  | 3rd Angle Projection | Not to Scale<br>Drawn By PKN<br>Sheet No. 1/2   |