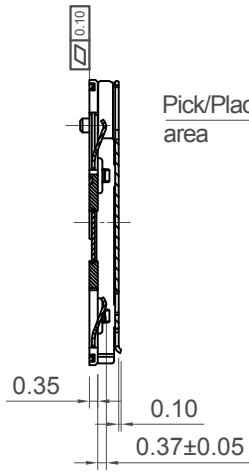
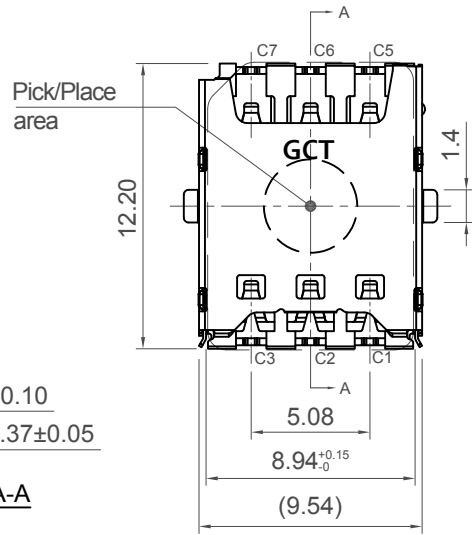
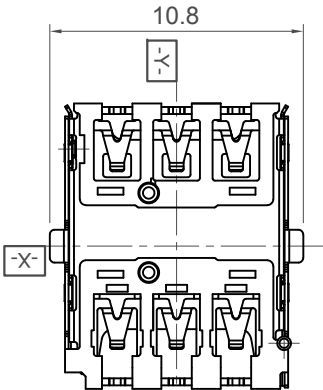
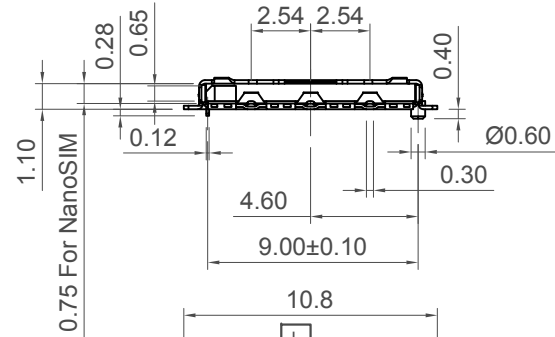


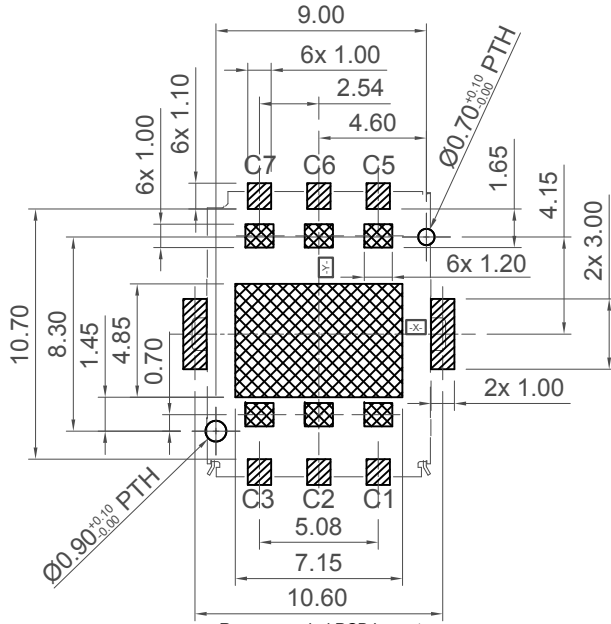
H  
G  
F  
E  
D  
C  
B  
A



Section A-A



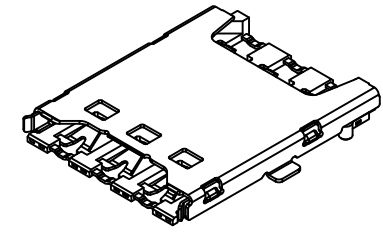
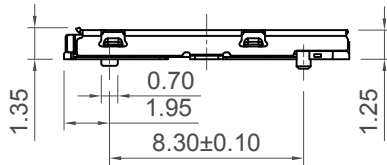
Pick/Place area



Recommended PCB Layout

As viewed from component side General Tolerance ±0.05  
Locating peg holes only applicable to locating peg version

▨ Solder Area ▩ Keep Out Area □ Component Outline



Specification:

Material:

Plastic Housing: LCP 30%GF, UL94V-0, Black  
Contact Terminal: Phosphor Bronze, T=0.12mm  
Cover: SUS301-H, T=0.15mm

Plating:

Contact Terminal:  
Contact Area: 15µm Gold  
Solder area: Gold Flash  
Underplating: Ni overall 50µm min.  
Cover : Ni overall 50µm min.

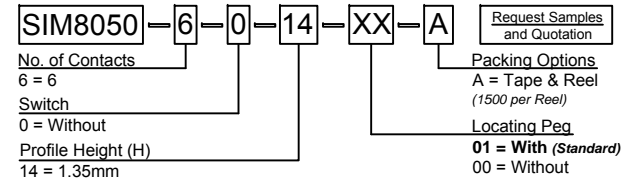
Electrical:

Voltage Rating: 30V max.  
Current Rating: 0.5A max.  
Dielectric Withstanding Voltage: 100V AC (60 Sec min. 60)  
Insulation Resistance: 1000 MΩ min.  
Contact Resistance: 100 mΩ max.

Mechanical & Environmental

Operating Temperature: -40°C to +85°C  
Durability: 5000 cycles

Ordering Grid



Part Number		Product Description	
SIM8050		Nano SIM Card Connector	
Drawing Date		Push-Pull Type, 6 Pin, SMT, Profile 1.35mm	
3rd June 2013			
By	CC	Tolerances (Except as Noted)	Units:
Detail	SIM8050 F PCN	Length X. ± 0.35 X.X ± 0.25 X.XX ± 0.15 X.XXX ± 0.10	Metric (mm)
Revision	F4	Angle	All ± 2°
Date	26/06/20	3rd Angle Projection	

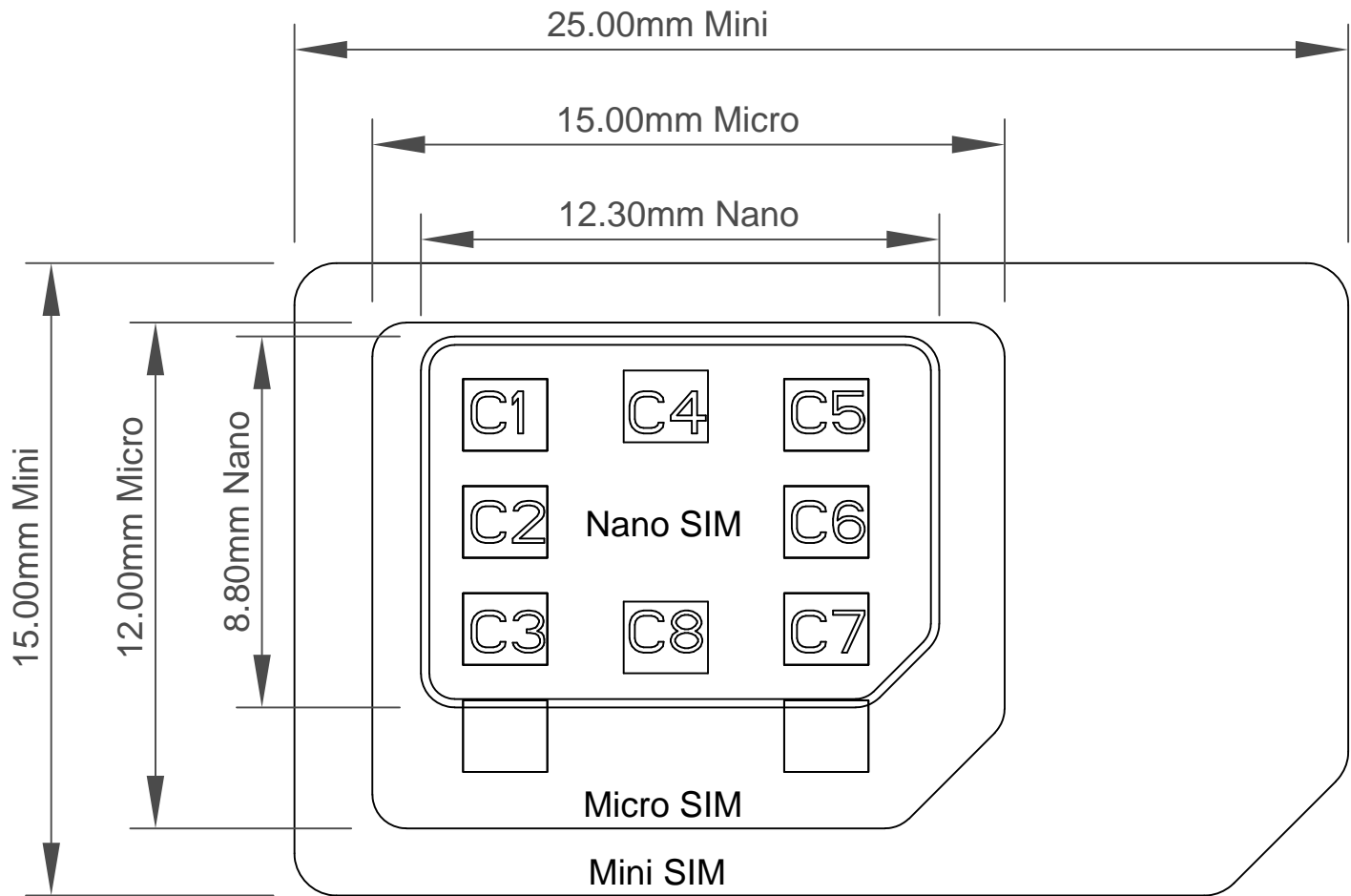


This drawing is confidential and copyright of Global Connector Technology, Ltd (GCT). This drawing must not be copied or disclosed without written consent. E & OE



Not to Scale Drawn By AJO Sheet No. 1/3

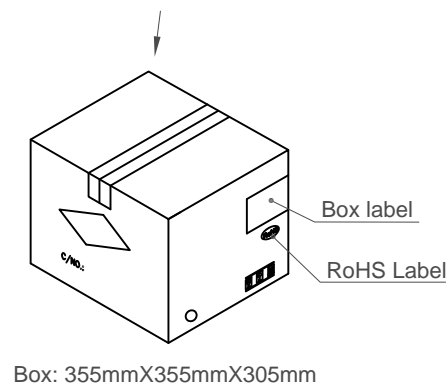
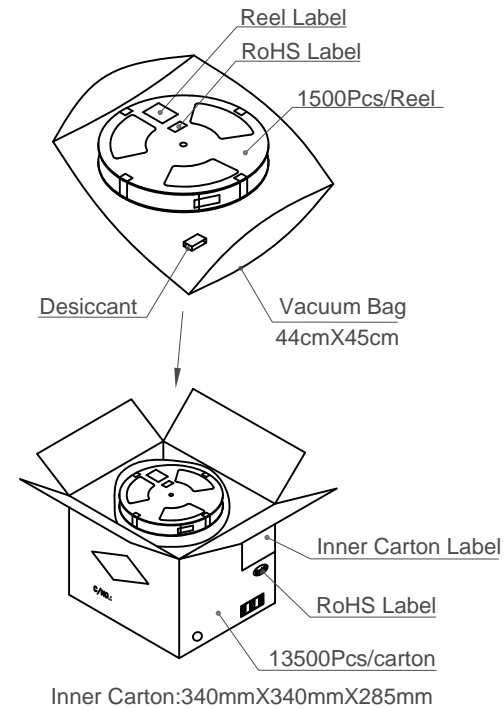
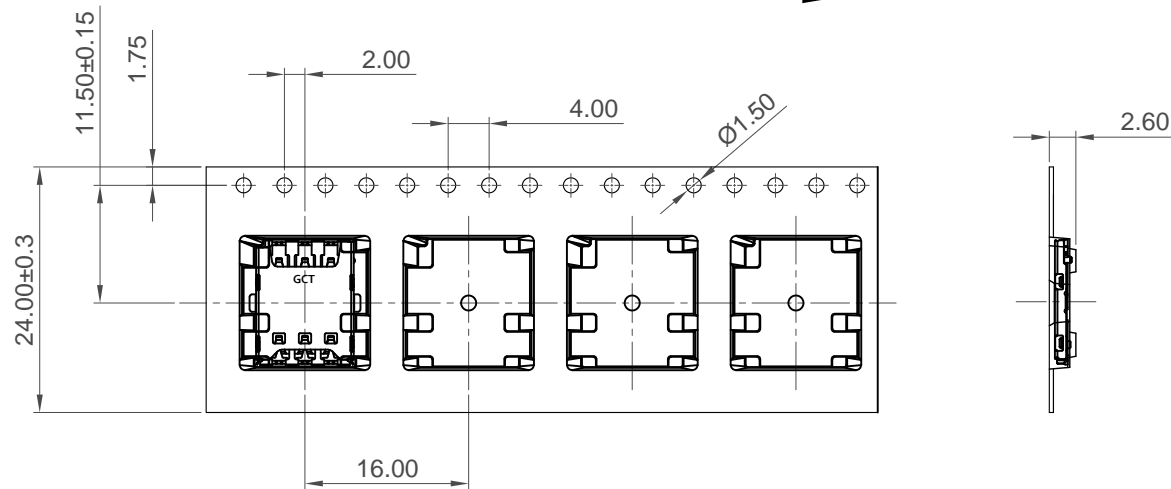
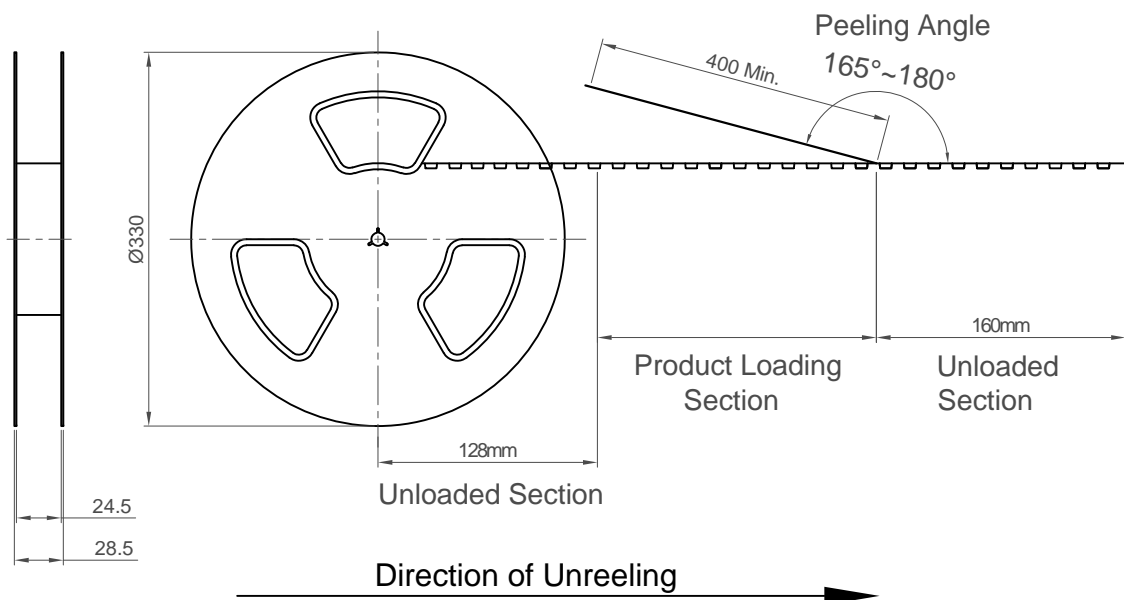
1 2 3 4 5 6 7 8



- C1----->VCC
- C2----->RST
- C3----->CLK
- C5----->GND
- C6----->Vpp
- C7----->I/O

Part Number		Product Description	
SIM8050		Nano SIM Card Connector	
Drawing Date		Push-Pull Type, 6 Pin, SMT, Profile 1.35mm	
3rd June 2013			
By	CC	Tolerances (Except as Noted)	Units:
Detail	SIM8050 F PCN	Length X. ± 0.35	Metric (mm)
Revision	F4	X.X ± 0.25	 3rd Angle Projection
Date	26/06/20	X.XX ± 0.15	
		X.XXX ± 0.10	
		This drawing is confidential and copyright of Global Connector Technology, Ltd (GCT). This drawing must not be copied or disclosed without written consent. E & OE	
Not to Scale	Drawn By AJO	Sheet No. 2/3	





Notes:  
Peeling off force of top tape: 0.1-1.3N (Peeling direction as shown)

Materials:  
Carrier Tape: Polystyrene (PS)  
Top Tape: PE  
Reel Tape: Polystyrene (PS)  
Vacuum Bag: PE

Products P/N	Pcs / Reel	Reels/Carton	Reels/Carton
SIM8050	1500	9	13500

Part Number SIM8050		Product Description Nano SIM Card Connector Push-Pull Type, 6 Pin, SMT, Profile 1.35mm	
Drawing Date 3rd June 2013			
By CC	Tolerances (Except as Noted) Length Angle	Units: Metric (mm)	<p>This drawing is confidential and copyright of Global Connector Technology, Ltd (GCT). This drawing must not be copied or disclosed without written consent. E &amp; OE</p>
Detail SIM8050 F PCN			
Revision F4			
Date 26/06/20			

**GCT**  
www.gct.co

Not to Scale  
Drawn By  
AJO  
Sheet No.  
3/3