

**Specifications**

**Material**

Housing&Slide : High Temperature Thermoplastic, UL94V-0, Black  
 Contact Terminal: Copper Alloy  
 Metallic Shell: Stainless Steel  
 Spring: SWP-B  
 Link: Stainless Steel

**Plating**

Contact :  
 Contact Area: Gold Flash over Nickel  
 Soldering Tail: Gold Flash over Nickel  
 Shell:  
 Soldering Tail: Gold Flash over Nickel  
 Spring&Link: Cleaning

**Electrical**

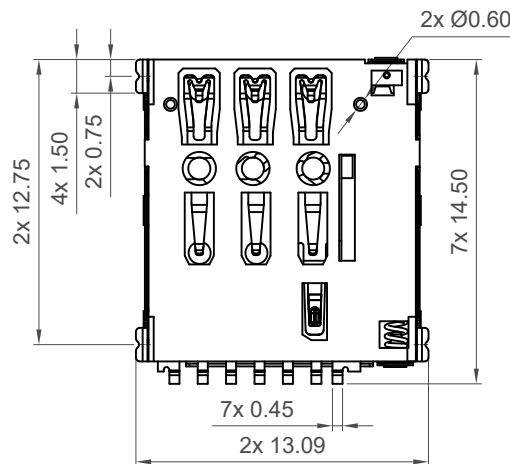
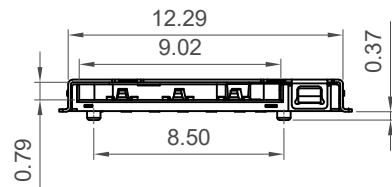
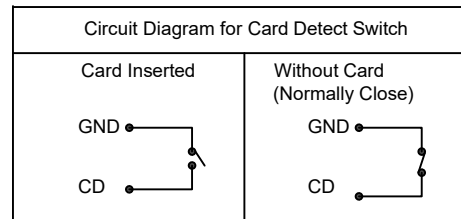
Voltage rating: 30V AC/DC  
 Current Rating: 1.0 Amp AC/DC Max.  
 Contact Resistance:  
 Signal contact: 100 mΩ Max.  
 CD to GND: 200 mΩ Max.  
 Dielectric Withstanding Voltage: 500V AC (60 Sec Min. )  
 Insulation Resistance: 1000 MΩ Min. @500V DC

**Mechanical & Environmental**

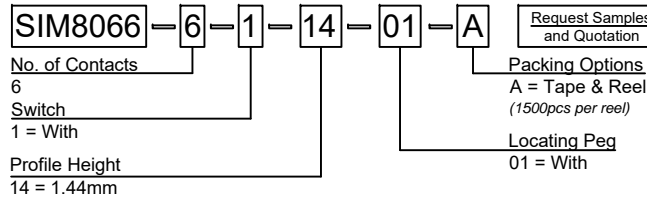
Operating Temperature: -40°C to +85°C  
 Durability : 5,000 cycles

**Recommended PCB Layout**

(Viewed from Component Side - Tolerance:±0.05mm)  
 Solder Area Keep Out Area Component Outline



**Ordering Grid**



Part Number		Product Description	
SIM8066		Nano SIM Card Connector	
Drawing Date		Push-Push Type, SMT, 6Pin, 1.44mm Profile	
19th March 2021			
By	CC	Tolerances (Except as Noted)	Units:
Detail	Drawing Release	Length	Metric (mm)
Revision	A2	Angle	± 2°
Date	15/03/22	X.X ± 0.30	
		X.XX ± 0.20	
		X.XXX ± 0.10	

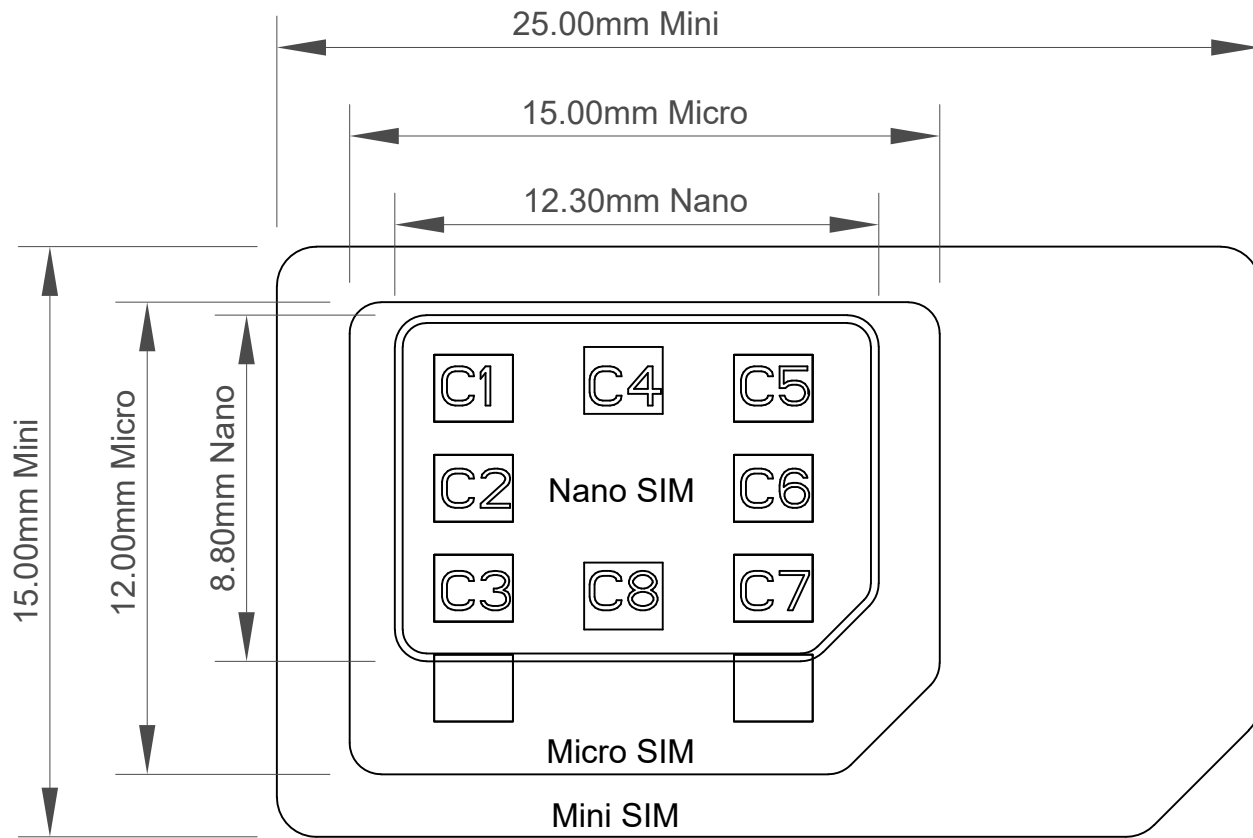


This drawing is confidential and copyright of Global Connector Technology, Ltd (GCT). This drawing must not be copied or disclosed without written consent. E & OE







www.gct.co

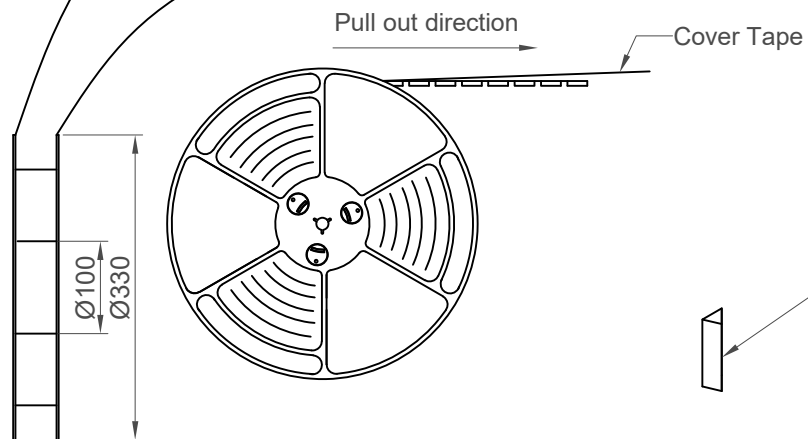
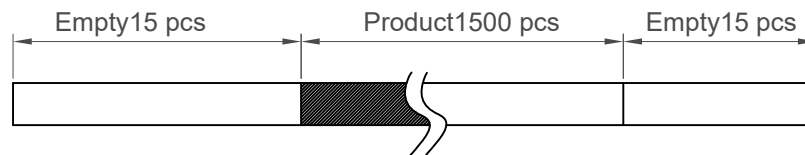
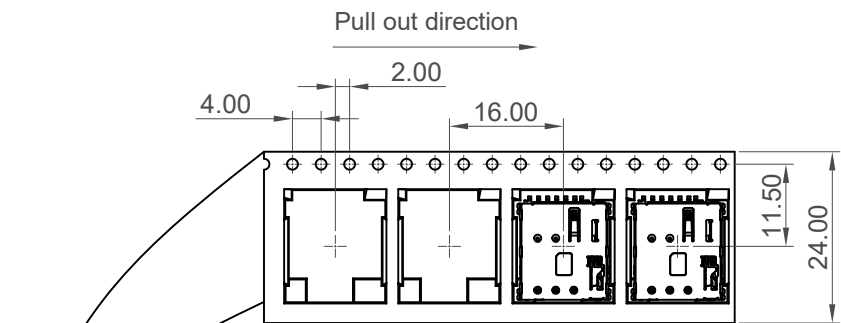
Not to Scale	Drawn By CC	Sheet No. 1/3
--------------	-------------	---------------



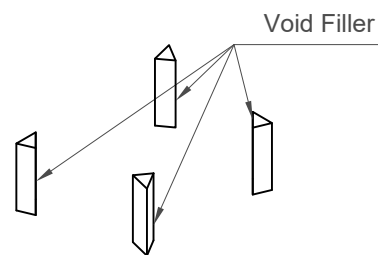
- C1----->VCC
- C2----->RST
- C3----->CLK
- C5----->GND
- C6----->Vpp
- C7----->I/O

### Reference

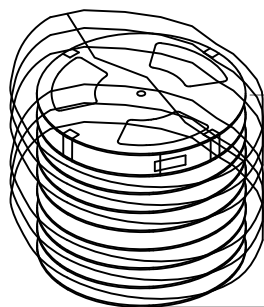
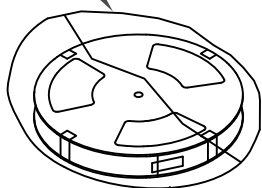
Part Number		Product Description		 <a href="http://www.gct.co">www.gct.co</a>
SIM8066		Nano SIM Card Connector		
Drawing Date		Push-Push Type, SMT, 6Pin, 1.44mm Profile		
19th March 2021				
By	CC	Tolerances (Except as Noted)		
Detail	Drawing Release	Length	Angle	
Revision	A2	X.X ± 0.30	± 2°	
Date	15/03/22	X.XX ± 0.20	X.XXX ± 0.10	
		Units: Metric (mm)		
				This drawing is confidential and copyright of Global Connector Technology, Ltd (GCT). This drawing must not be copied or disclosed without written consent. E & OE
				Not to Scale
				Drawn By CC
				Sheet No. 2/3



Pcs/Reel	Reels/Carton	Pcs/Carton
1500	10	15000

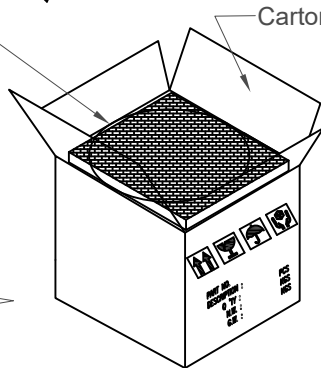


Vacuum Bag



10 Reels

PE Foam

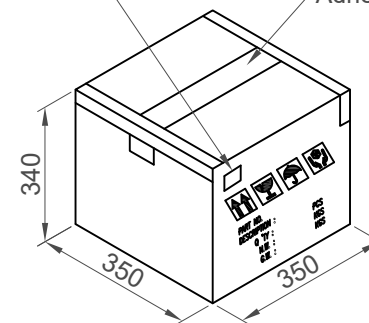


Carton

1500pcs x 10=15000pcs

Label

Adhesive Tape



Part Number		Product Description	
SIM8066		Nano SIM Card Connector	
Drawing Date		Push-Push Type, SMT, 6Pin, 1.44mm Profile	
19th March 2021			
By	CC	Tolerances (Except as Noted)	Units:
Detail	Drawing Release	Length	Metric (mm)
Revision	A2	X.X ± 0.30	
Date	15/03/22	X.XX ± 0.20	
		X.XXX ± 0.10	



www.gct.co

This drawing is confidential and copyright of Global Connector Technology, Ltd (GCT). This drawing must not be copied or disclosed without written consent. E & OE

Not to Scale	Drawn By CC	Sheet No. 3/3
--------------	-------------	---------------