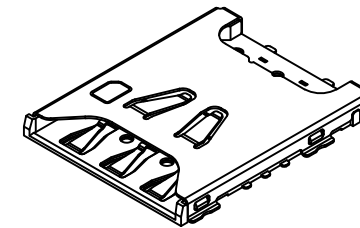


Recommended PCB Layout

General Tolerance ± 0.05

As viewed from component side

Solder Area
 Keep Out Area
 Component Outline



Specification:

Material:

Housing: LCP, UL94V-0, Black
Terminal: Phosphor Bronze
Cover: Stainless Steel

Plating:

Terminal:
Contact Area: Gold Flash
Solder area: Gold Flash
Underplating: 50 μ m Min. Nickel All Over

Cover:

Solder area: Gold Flash
Underplating: 50 μ m Min. Nickel All Over

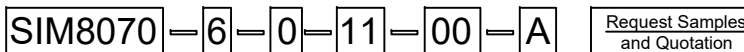
Electrical:

Voltage Rating: 125V AC/DC
Current Rating: 0.5A max. AC/DC
Dielectric Withstanding Voltage:
500V AC (60 Sec min.)
Insulation Resistance: 1000 M Ω min. 500V DC
Contact Resistance: 100 m Ω max.

Mechanical:

Durability: 5000 cycles
Operating Temperature: -40°C to +85°C

Ordering Grid



No. of Contacts

6 = 6

Switch

0 = Without

Profile Height (H)

11 = 1.10mm

Packing Options

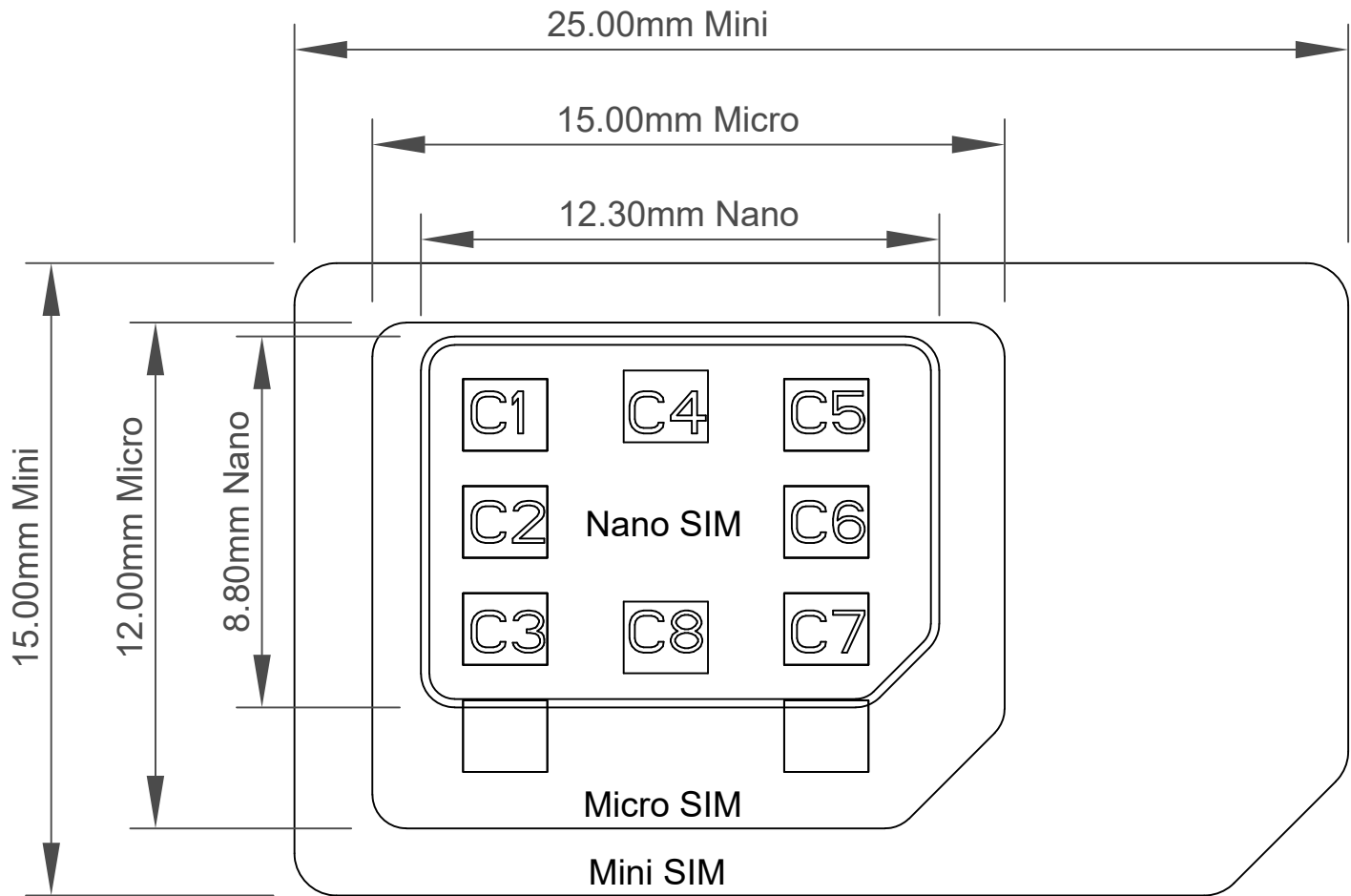
A = Tape & Reel
(2000 per Reel)

Locating Peg

00 = Without

Request Samples and Quotation

Part Number		Product Description			This drawing is confidential and copyright of Global Connector Technology, Ltd (GCT). This drawing must not be copied or disclosed without written consent. E & OE	 www.gct.co
SIM8070		Nano SIM Card Connector, Push-Pull Type, 6 Pin, SMT, Profile 1.10mm				
Drawing Date		12th January 2024				
By	CC	Tolerances (Except as Noted)		Units:		
Detail	Drawing Release	X.X ± 0.30	Angle	Metric (mm)		
Revision	A1	X.XX ± 0.20	$\pm 2^\circ$			
Date	08/02/24	X.XXX ± 0.10				
Not to Scale	Drawn By	CC	Sheet No.	1/3		

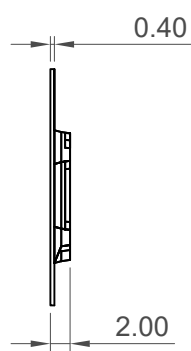
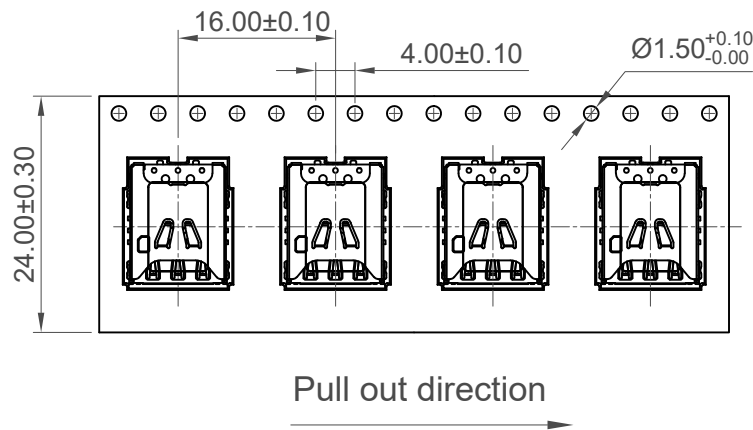
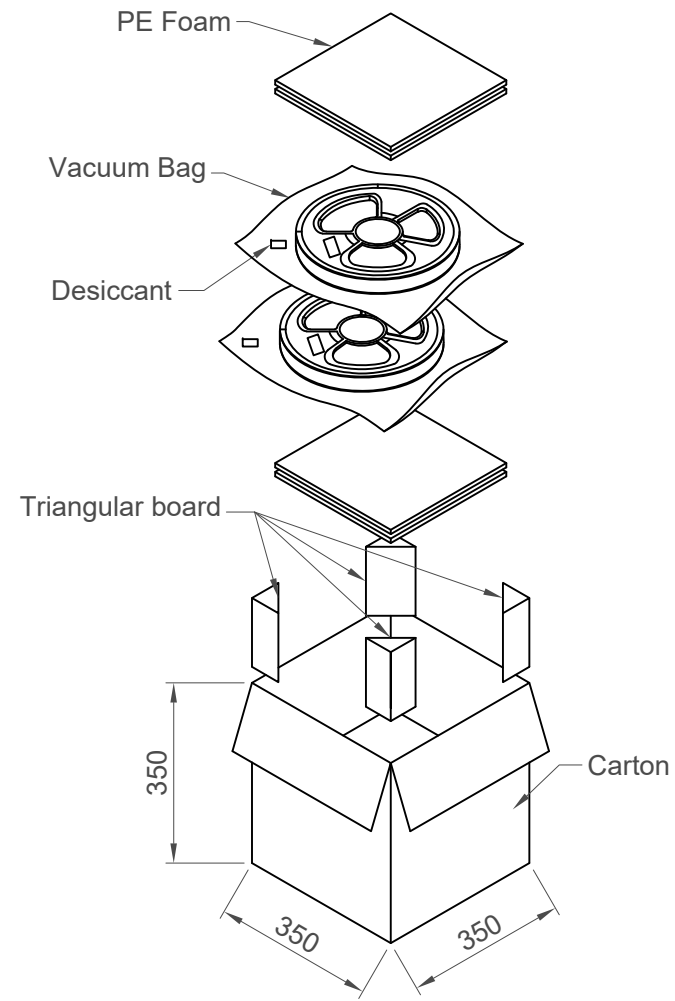
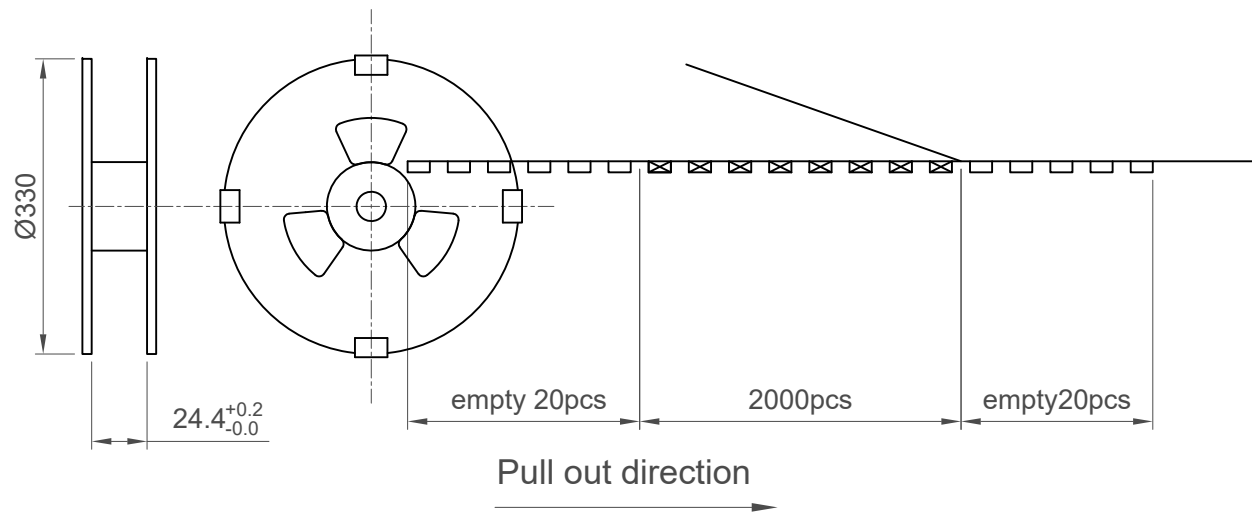


- C1----->VCC
- C2----->RST
- C3----->CLK
- C5----->GND
- C6----->Vpp
- C7----->I/O

Reference

Part Number		Product Description			
SIM8070		Nano SIM Card Connector, Push-Pull Type, 6 Pin, SMT, Profile 1.10mm			
Drawing Date		12th January 2024			
By	CC	Tolerances (Except as Noted)		Units:	 <small>This drawing is confidential and copyright of Global Connector Technology, Ltd (GCT). This drawing must not be copied or disclosed without written consent. E & OE</small>
Detail	Drawing Release	Length	Angle	Metric (mm)	
Revision	A1	X.X ±0.30		±2°	
Date	08/02/24	X.XX ±0.20		X.XXX ±0.10	
				 3rd Angle Projection	
Not to Scale	Drawn By	CC	Sheet No.	2/3	





Pcs/Reel	Reels/Carton	Pcs/Carton
2000	10	20000

Part Number SIM8070		Product Description Nano SIM Card Connector, Push-Pull Type, 6 Pin, SMT, Profile 1.10mm			This drawing is confidential and copyright of Global Connector Technology, Ltd (GCT). This drawing must not be copied or disclosed without written consent. E & OE
Drawing Date 12th January 2024					
By CC	Detail Drawing Release	Tolerances (Except as Noted) Length X.X ±0.30 X.XX ±0.20 X.XXX ±0.10	Angle ±2°	Units: Metric (mm)	
Revision A1	Date 08/02/24				



Not to Scale	Drawn By CC	Sheet No. 3/3
--------------	----------------	------------------