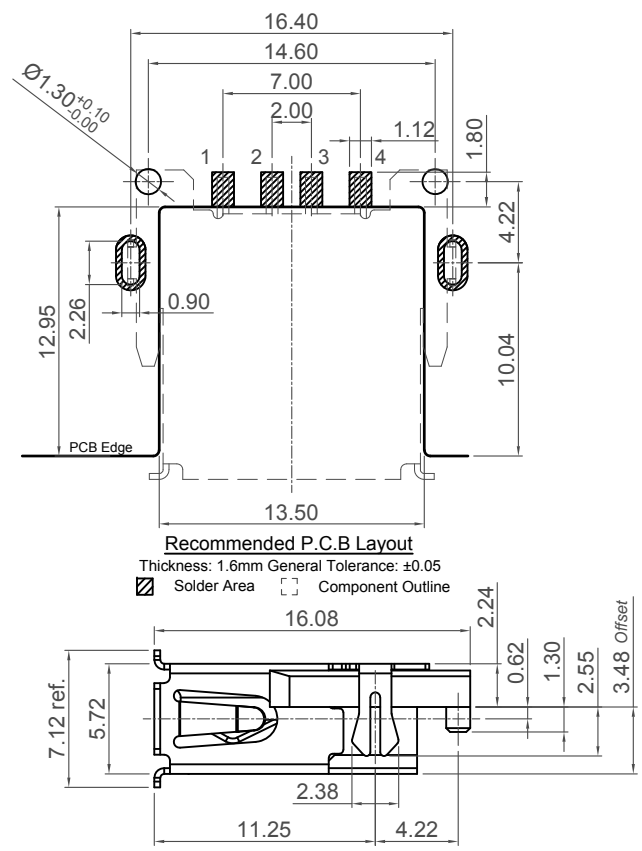
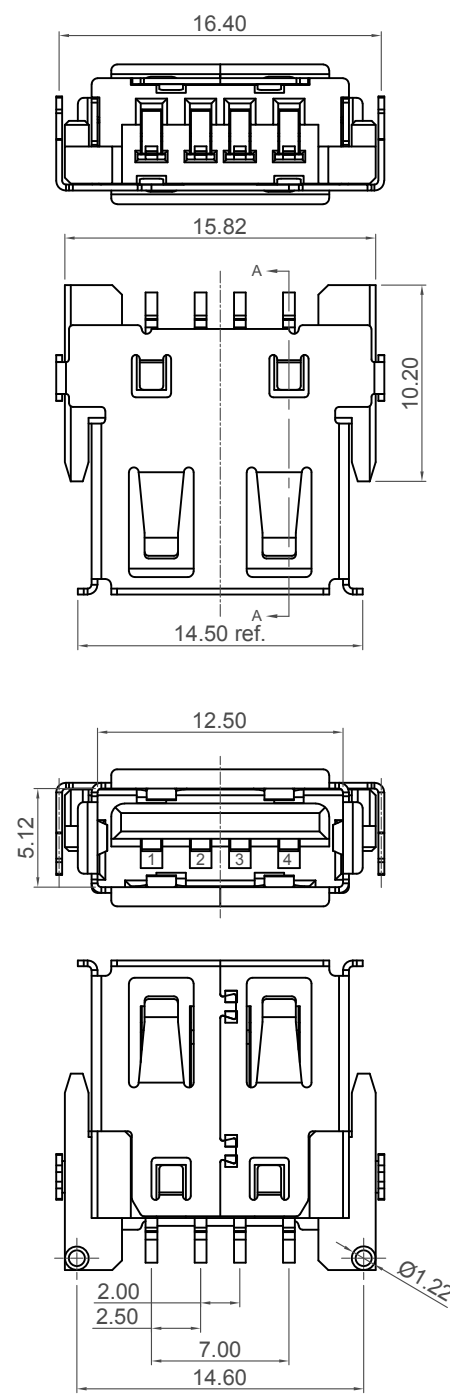
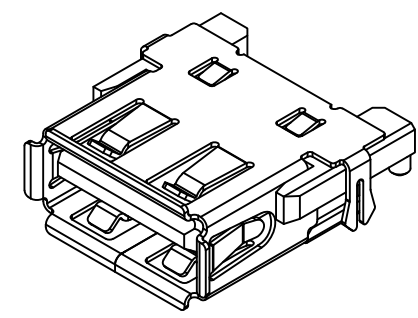
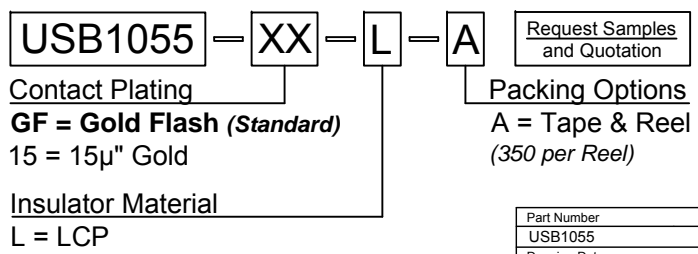


H
G
F
E
D
C
B
A



Recommended P.C.B Layout
 Thickness: 1.6mm General Tolerance: ± 0.05
 [Hatched] Solder Area [Dashed] Component Outline

Ordering Grid



Specifications

Material
 Plastic Housing: Thermoplastic, LCP, UL94V-0, Black
 Contact Terminal: Brass
 Metallic Shell: Brass

Plating

Underplating: 50µ" Nickel
 Contact Area: Gold Flash or 15µ" Gold
 Solder Tails: 50µ" Tin
 Metallic Shell: Nickel

Electrical

Voltage Rating: 30V
 Current Rating: 1.5A
 Contact Resistance: 30 mΩ max.
 Insulating Resistance: 1000 MΩ min.
 Dielectric Withstand Voltage: 500V AC

Mechanical & Environmental

Mating Force: 35N (3.57Kgf) max.
 Unmating Force: 10N (1.02Kgf) min.
 Operating Temperature: -40°C to +85°C
 Durability: 1,500 cycles

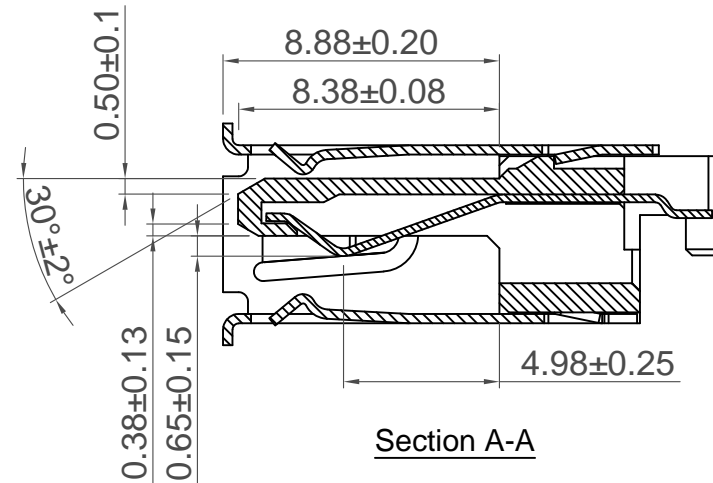
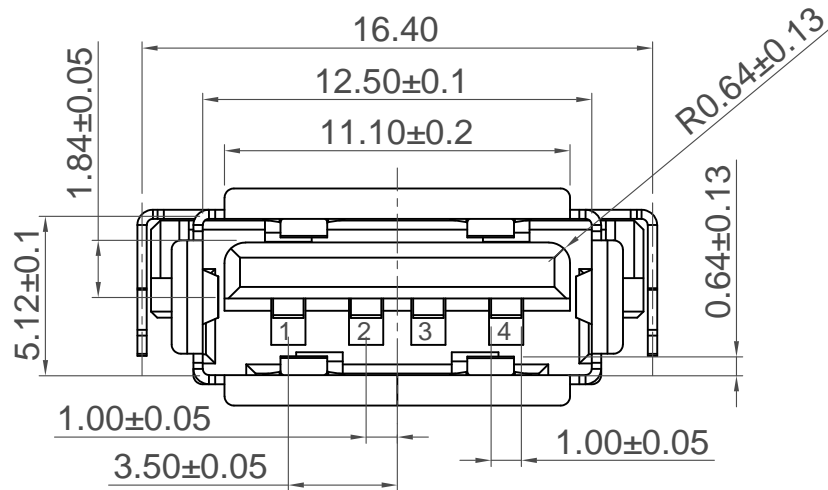
Part Number		Product Description	
USB1055		USB Receptacle - A Type, Horizontal SMT	
Drawing Date		Top-Mid Mount, 3.48mm Offset, Plastic Peg & Shell Stakes	
14th February 2011			
By	CC	Tolerances (Except as Noted)	Units:
Detail	USB1055	Length	Metric (mm)
Revision	C PCN	Angle	
Date	C3	X.X ± 0.35	X° $\pm 3^\circ$
	17/01/20	X.XX ± 0.25	X.X° ± 1.5



This drawing is confidential and copyright of Global Connector Technology, Ltd (GCT). This drawing must not be copied or disclosed without written consent. E & OE



Not to Scale	Drawn By SA	Sheet No. 1/3
--------------	-------------	---------------



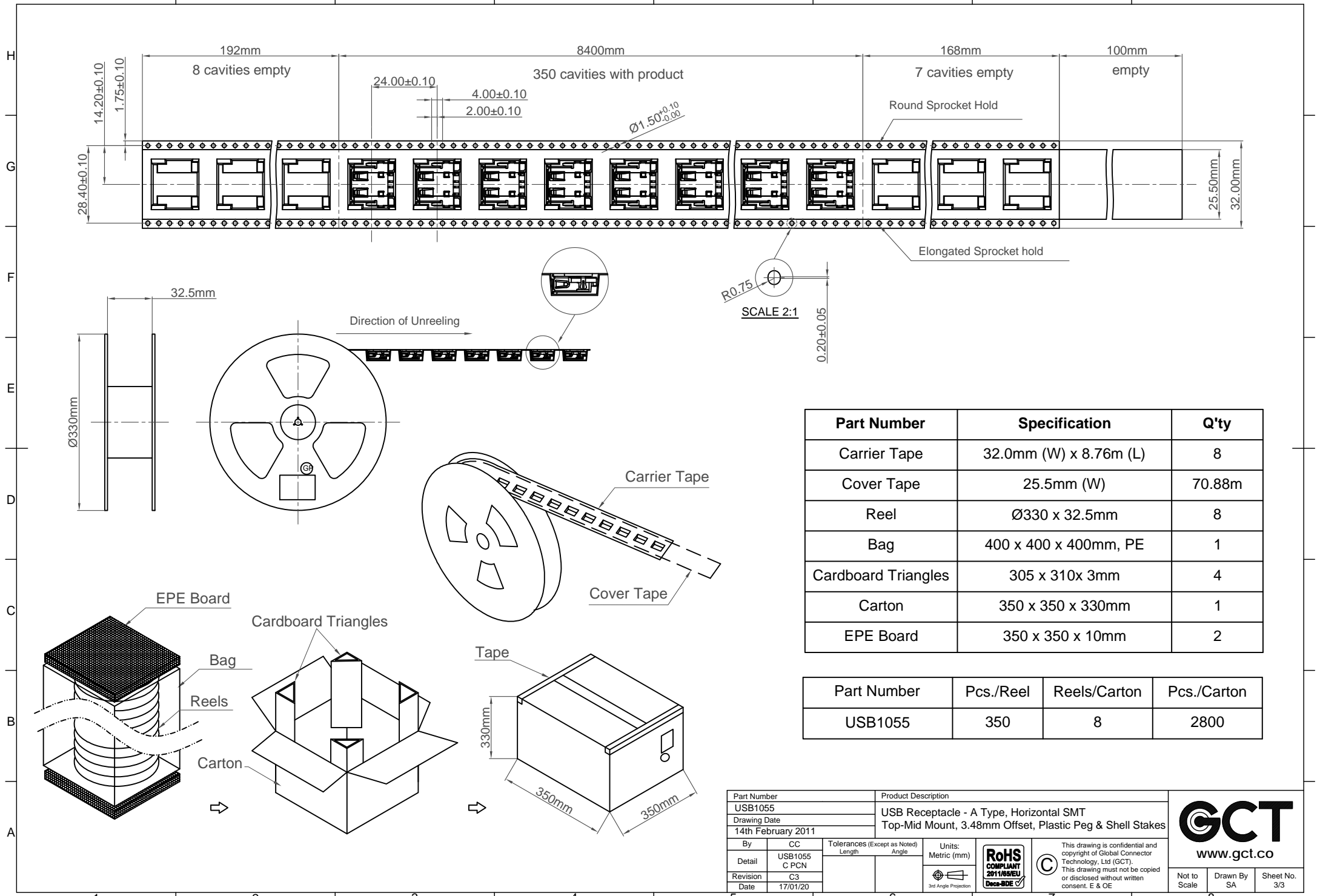
Section A-A

Part Number		Product Description	
USB1055		USB Receptacle - A Type, Horizontal SMT	
Drawing Date		Top-Mid Mount, 3.48mm Offset, Plastic Peg & Shell Stakes	
14th February 2011			
By	CC	Tolerances (Except as Noted)	Units:
Detail	USB1055 C PCN	Length	Metric (mm)
Revision	C3	X.X ± 0.35	
Date	17/01/20	X.XX ± 0.25	
		X.° ± 3°	
		X.X° ± 1.5	

This drawing is confidential and copyright of Global Connector Technology, Ltd (GCT). This drawing must not be copied or disclosed without written consent. E & OE



Not to Scale	Drawn By SA	Sheet No. 2/3
--------------	-------------	---------------



Part Number	Specification	Q'ty
Carrier Tape	32.0mm (W) x 8.76m (L)	8
Cover Tape	25.5mm (W)	70.88m
Reel	Ø330 x 32.5mm	8
Bag	400 x 400 x 400mm, PE	1
Cardboard Triangles	305 x 310x 3mm	4
Carton	350 x 350 x 330mm	1
EPE Board	350 x 350 x 10mm	2

Part Number	Pcs./Reel	Reels/Carton	Pcs./Carton
USB1055	350	8	2800

Part Number USB1055		Product Description USB Receptacle - A Type, Horizontal SMT Top-Mid Mount, 3.48mm Offset, Plastic Peg & Shell Stakes	
Drawing Date 14th February 2011			
By CC	Tolerances (Except as Noted) Length	Units: Metric (mm)	
Detail USB1055 C PCN	Angle		
Revision C3			
Date 17/01/20			

This drawing is confidential and copyright of Global Connector Technology, Ltd (GCT). This drawing must not be copied or disclosed without written consent. E & OE



Not to Scale	Drawn By SA	Sheet No. 3/3
--------------	----------------	------------------