

**Recommended P.C.B Layout**

General Tolerance: ±0.05  
as viewed from component side

▨ Solder Area    □ Component Outline

**Specifications:**

**Materials:**  
 Plastic Housing: LCP UL94V-0, Black  
 Contact Terminal: Phosphor Bronze, T=0.25mm  
 Metallic Shell: Brass, T=0.4mm

**Plating:**

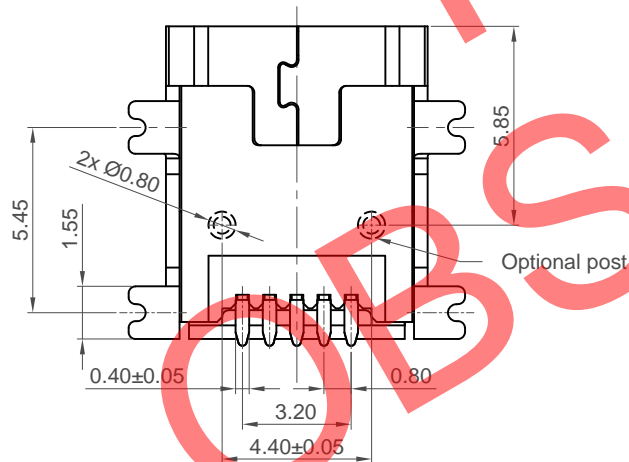
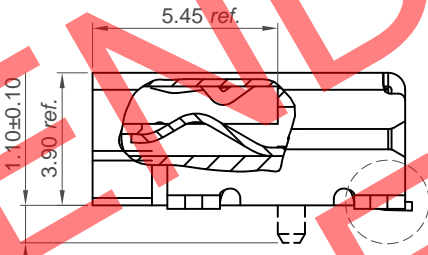
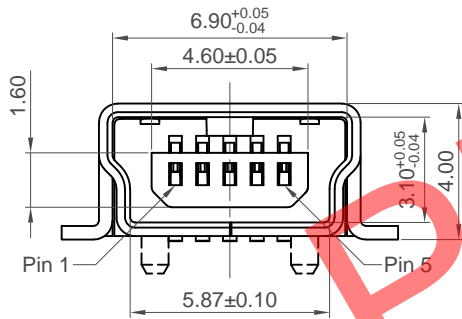
Contact Terminal plating:  
 Underplating: Nickel all over  
 Contact Area: 15µ" Gold  
 Solder Tails: Bright Tin  
 Metallic Shell plating: Matte Tin 50µ" all over  
 Underplating: Nickel 50µ" all over

**Electrical:**

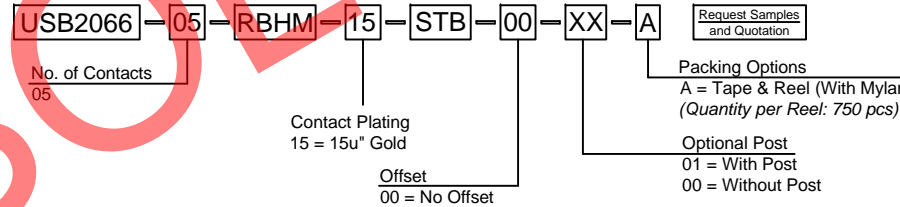
Voltage Rating: 30VDC  
 Current Rating: 1A  
 Operating Temperature: -50°C to +85°C  
 Contact Resistance: 50mΩ Max.  
 Insulation Resistance: 100MΩ Min  
 Dielectric Withstanding Voltage:  
 100VAC for 1 minute, No Discharge or Flash

**Mechanical:**

Mating Force: 35N (3.57Kgf) Max.  
 Unmating Force: Initial 7N (0.71Kgf) Min.  
 Final 3N (0.31Kgf) Min.  
 Durability: 5,000 Cycles



**Ordering Grid**



|                               |          |   |               |
|-------------------------------|----------|---|---------------|
| Part Number<br>USB2066        |          | Product Description<br>Mini USB Receptacle, Type B, 5 Pin, SMT, Horizontal,<br>Optional Post, 9.40mm Length |               |
| Drawing Date<br>4th June 2009 |          |   |               |
| By                            | CC       | Tolerances (Except as Noted)  | Units:        |
| Detail                        | USB2066  | Length  | Metric (mm)   |
| Revision                      | D PCN    | X.X ± 0.35  | X.° ± 1°      |
| Date                          | D1       | X.XX ± 0.25   | X.X° ± 0.5°   |
|                               | 17/01/20 | X.XXX ± 0.150   | X.XX° ± 0.25° |

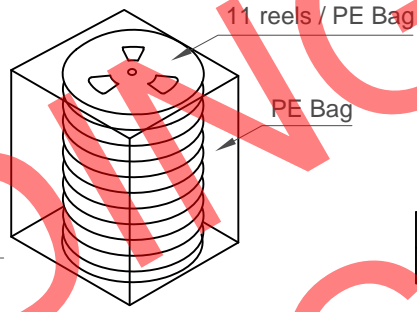
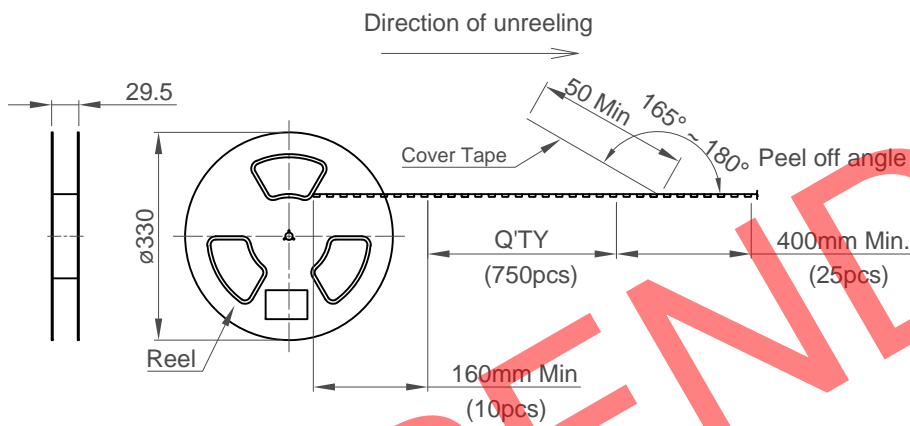
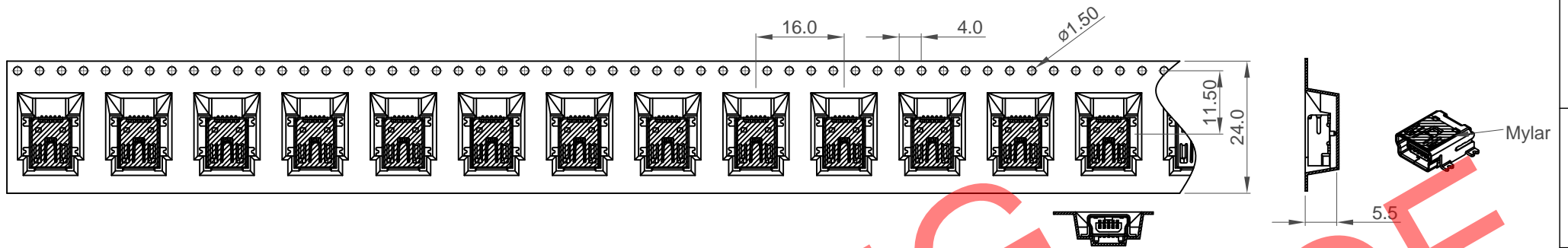
RoHS  
COMPLIANT  
2011/65/EU

3rd Angle Projection

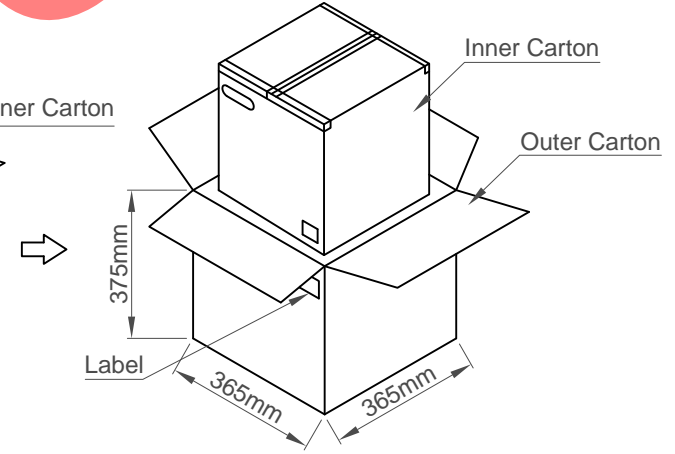
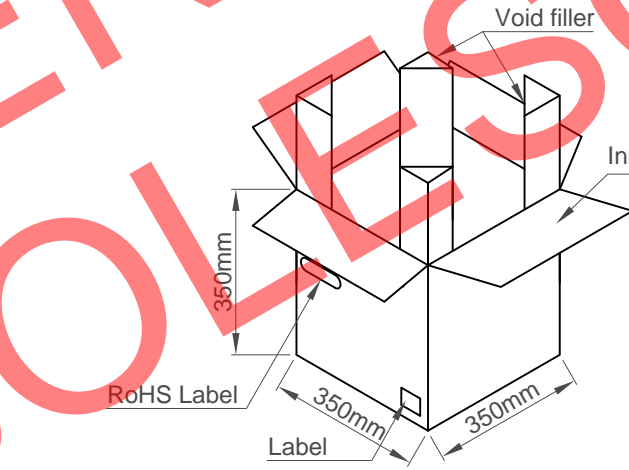
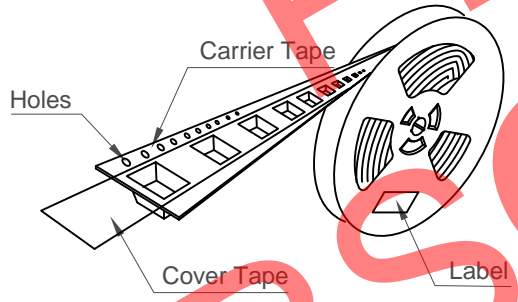
GCT  
www.gct.co

This drawing is confidential and copyright of Global Connector Technology, Ltd (GCT). This drawing must not be copied or disclosed without written consent. E & OE

|              |              |               |
|--------------|--------------|---------------|
| Not to Scale | Drawn By LYH | Sheet No. 1/2 |
|--------------|--------------|---------------|



| Pcs / Reel | Reels / Carton | Total Quantity |
|------------|----------------|----------------|
| 750        | 11             | 8250 pcs       |



PENDING SCIENCE OBSOLETE

|                               |  |  |                                     |
|-------------------------------|--|--|-------------------------------------|
| Part Number<br>USB2066        |  | Product Description<br>Mini USB Receptacle, Type B, 5 Pin, SMT, Horizontal,<br>Optional Post, 9.40mm Length  |                                     |
| Drawing Date<br>4th June 2009 |  |  |                                     |
| By<br>CC                      | Tolerances (Except as Noted)<br>Length | Units:<br>Metric (mm)  | <br><br>                            |
| Detail<br>USB2066<br>D PCN    | Angle                                  |  |                                     |
| Revision<br>D1                |  |  |                                     |
| Date<br>17/01/20              |  |  |                                     |
|                               |  | <br><a href="http://www.gct.co">www.gct.co</a>   |                                     |
|                               |  | This drawing is confidential and copyright of Global Connector Technology, Ltd (GCT). This drawing must not be copied or disclosed without written consent. E & OE |                                     |
|                               |  | Not to Scale   | Drawn By<br>LYH<br>Sheet No.<br>2/2 |