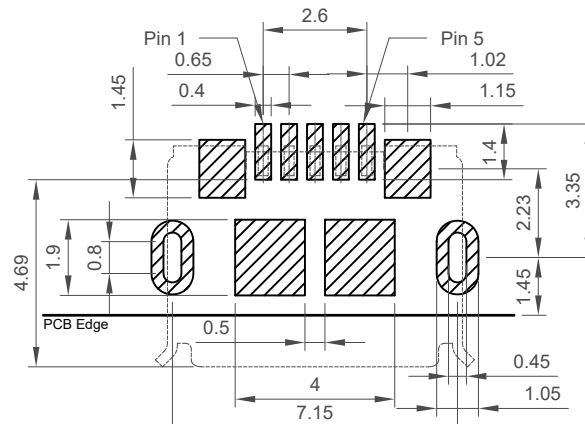
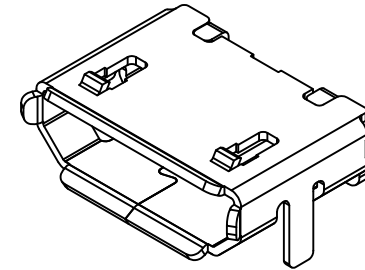
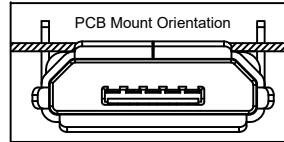


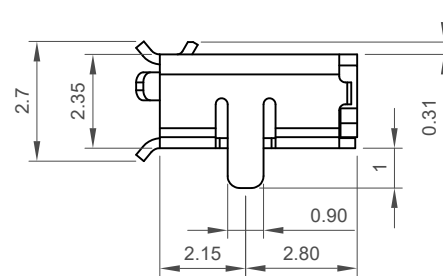
Designed to comply with physical, electrical and environmental requirements of Micro USB Standard (USB2.0).



**Recommended PCB Layout**

As viewed from component side General Tolerance:  $\pm 0.05$

▨ Solder Area □ Component Outline



**Ordering Grid**

**USB3075** - **30** - **A** Request Samples and Quotation

Contact Plating  
30 = 30u" Gold

Packing Options  
A = Tape & Reel  
(1.5K per Reel)

**Specifications 规格**

**Materials 材料**

Plastic Housing 塑胶外壳: LCP, UL94V-0, Black  
Contact Terminal 接触端子: Copper Alloy  
Metallic Shell 金属外壳: Stainless Steel, SUS304, T= 0.25mm

**Plating 电镀**

Underplating 底层电镀: 50 $\mu$ " Nickel  
Contact Area 接触面积: 30 $\mu$ " Gold  
Solder Tails 焊接末端: Gold Flash  
Metallic Shell 金属外壳: Matte Tin

**Electrical 电气规格**

Voltage Rating 电压额定值: 30 V AC  
Current Rating 电流额定值: Signal(Pins 2,3,4)信号:1.0 A.  
Power (Pins1,5)电源:1.8A.  
Operating Temperature 工作温度: -30°C to +85°C  
Contact Resistance 接触电阻值: 30 m $\Omega$  max.  
Insulating Resistance 绝缘电阻值: 1000 M $\Omega$  min.  
Dielectric Withstand Voltage 耐电压: 500V AC/minute

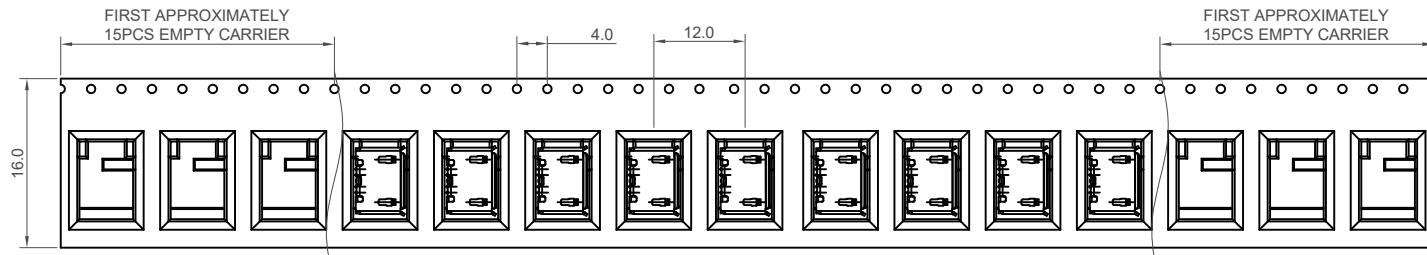
**Mechanical & Environmental 机械 & 环境**

Mating Force 插入力: 35N max.  
Unmating Force 拨出力: Initial 10N min.  
Final 8N min after durability test.  
Durability 耐久性: 10,000 Cycles 次插拔

Part Number		Product Description	
USB3075		Micro USB Receptacle, Type B, SMT, Horizontal, Bottom Mount (Standard), without Peg, with Outer Shell Stakes	
Drawing Date		4th February 2011	
By	CC	Tolerances (Except as Noted)	Units:
Detail	USB3075	Length	Metric (mm)
Revision	D PCN	Angle	
Date	14/02/17	X.X $\pm$ 0.2 X.XX $\pm$ 0.10 X.XXX $\pm$ 0.05	X.X° $\pm$ 2° X.XX° $\pm$ 1° X.XXX° $\pm$ 0.5°
		3rd Angle Projection	
		This drawing is confidential and copyright of Global Connector Technology, Ltd (GCT). This drawing must not be copied or disclosed without written consent. E & OE	

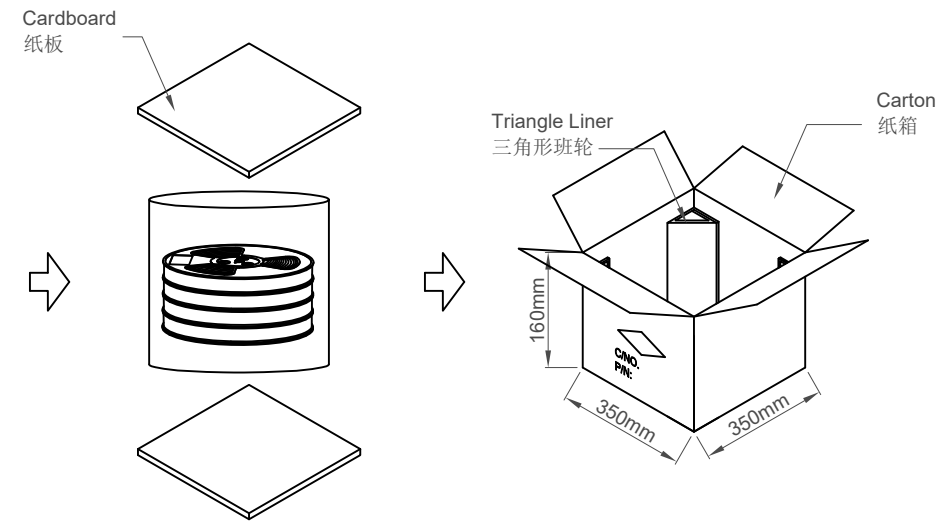
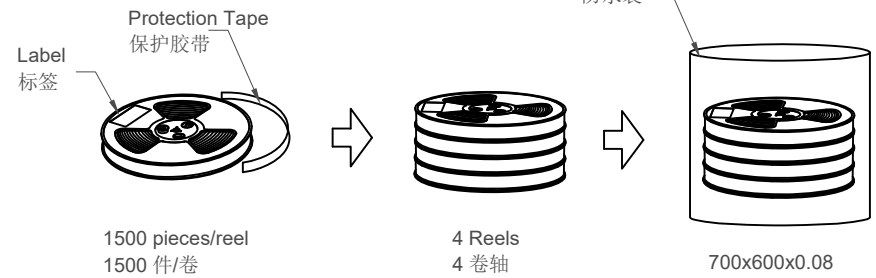
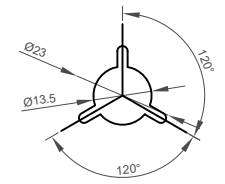
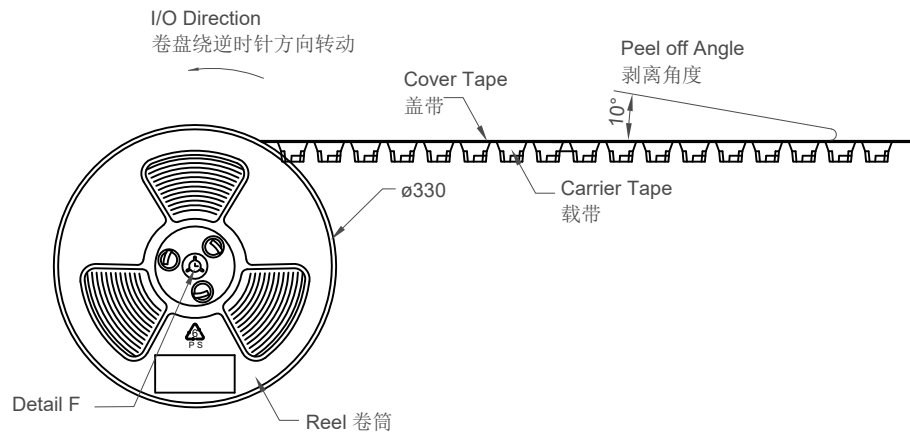
**GCT**  
www.gct.co

Not to Scale	Drawn By SA	Sheet No. 1/2
--------------	-------------	---------------



Products P/N	PCS/Reel	Reels/Carton	PCS/Carton
USB3075	1500	4	6000

- Notes注意:
1. Peeling off force of top tape: 0.1-1.3N
  2. Part Conforms to EIA-481-C Standards产品符合EIA-481-C标准
  3. All dimensions in millimeters 所有尺寸均是毫米
  4. 10 sprocket hole pitch cumulative tolerance±0.2mm



Part Number		Product Description	
USB3075		Micro USB Receptacle, Type B, SMT, Horizontal, Bottom Mount (Standard), without Peg, with Outer Shell Stakes	
Drawing Date		4th February 2011	
By	CC	Tolerances (Except as Noted)	Units:
Detail	USB3075	Length	Metric (mm)
Revision	D3	Angle	
Date	14/02/17		



This drawing is confidential and copyright of Global Connector Technology, Ltd (GCT). This drawing must not be copied or disclosed without written consent. E & OE



Not to Scale	Drawn By SA	Sheet No. 2/2
--------------	-------------	---------------