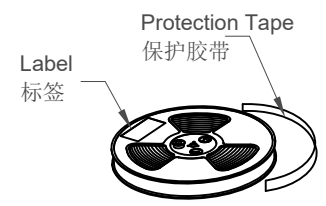
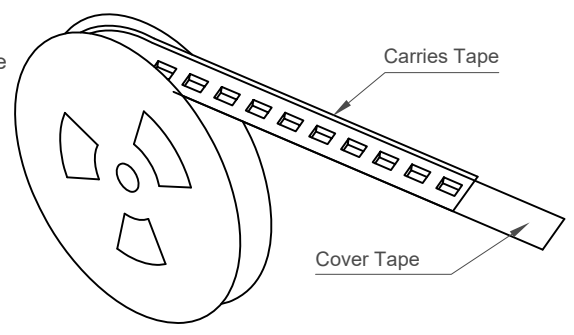
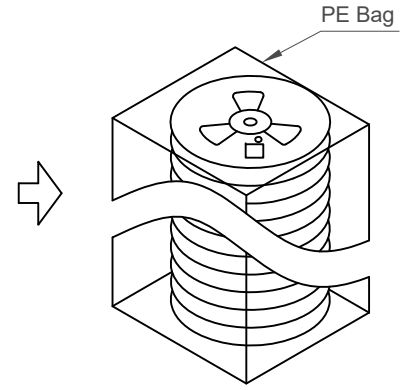


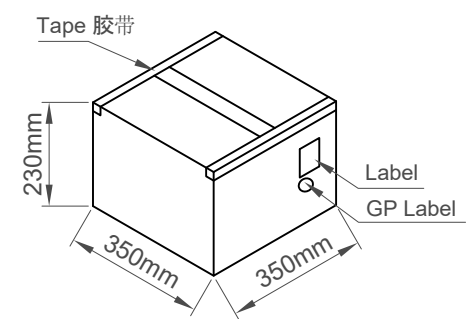
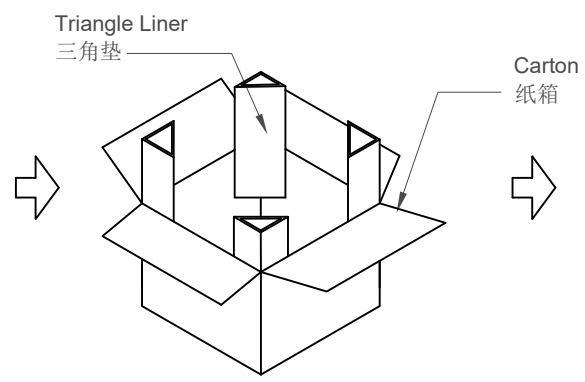
Products P/N	PCS/Reel	Reels/Carton	PCS/Carton
USB3130	1,500	10	15,000



1,500 Pieces/Reel
1,500 件/卷



10 Reels
10 卷



Part Number USB3130		Product Description Micro USB Receptacle, Type B, Through-Hole, Vertical, With 1.5mm Through-Hole Shell Stakes	
Drawing Date 21st October 2011			
By CC	Tolerances (Except as Noted) Length	Units: Metric (mm)	
Detail USB3130 D PCN	Angle		
Revision Date D3 23/03/17			This drawing is confidential and copyright of Global Connector Technology, Ltd (GCT). This drawing must not be copied or disclosed without written consent. E & OE



Not to Scale	Drawn By ASE	Sheet No. 2/2
--------------	-----------------	------------------