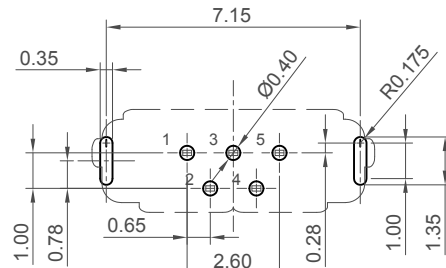
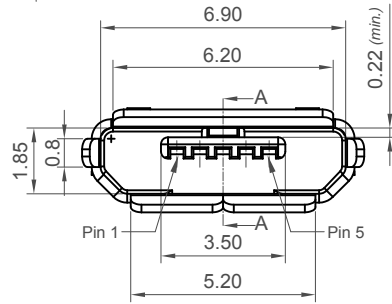
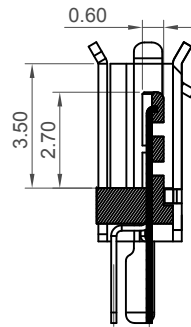
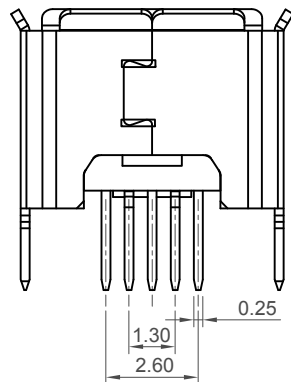


Designed to comply with physical, electrical and environmental requirements of Micro USB Standard (USB2.0)
A/B types support USB On-The-GO (OTG) interface.

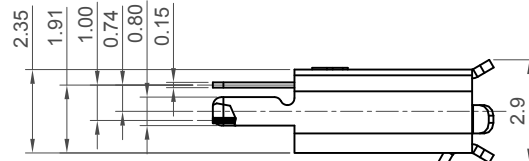


Recommended PCB Layout
As viewed from component side General Tolerance: ±0.05
□ Component Outline



Section A:A

Ordering Grid
USB3131 - 30 - 0230 - A [Request Samples and Quotation](#)
 Contact Plating
 30 = 30µ" Gold
 Shell Stake Length "S"
 0230 = 2.30mm
 (recommended for 1.6mm PCB thickness)
 Packing Options
 A = Tape & Reel
 (1,500 Pieces per Reel)



Specifications:

Materials:

Plastic Housing: LCP, UL94V-0, Black
 Contact Terminal: Copper Alloy
 Metallic Shell: Stainless Steel SUS304-1/2H T=0.25mm

Plating:

Underplating: Nickel 50µ" min.
 Contact Area: 30µ" Gold plating
 Solder Tails: Gold Flash
 Metallic Shell: Nickel 50-100µ"

Electrical:

Voltage Rating: 30V
 Current Rating: Signal (Pins 2,3,4):1.0 A
 Power (Pins 1,5):1.8 A
 Operating Temperature : -55°C to +85°C
 Contact Resistance: 30 mΩ max.
 Insulating Resistance: 1000 MΩ min.
 Dielectric Withstand Voltage: 100V AC for 1 minute

Mechanical & Environmental

Mating Force: 35N max.
 Unmating Force: Initial 10N min.
 Final 8N min after durability test.
 Durability: 10,000 Cycles

Part Number		Product Description	
USB3131		Micro USB Receptacle, Type B, Through-Hole, Vertical, With 2.30mm (Standard) Shell Stakes	
Drawing Date		28th October 2013	
By	CC	Tolerances (Except as Noted)	Units:
Detail	USB3131 B PCN	Length	Metric (mm)
Revision	B4	Angle	
Date	01/06/18		



This drawing is confidential and copyright of Global Connector Technology, Ltd (GCT). This drawing must not be copied or disclosed without written consent. E & OE



Not to Scale	Drawn By AJO	Sheet No. 1/2
--------------	--------------	---------------

