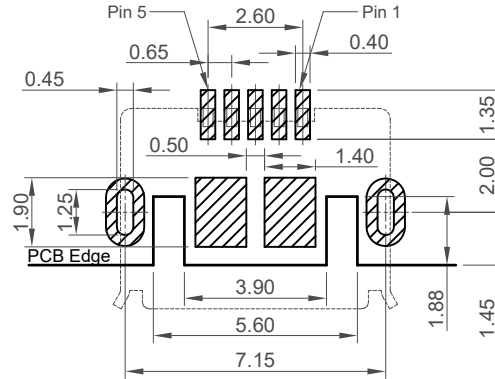
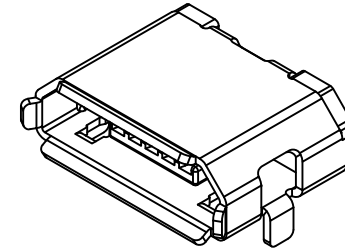
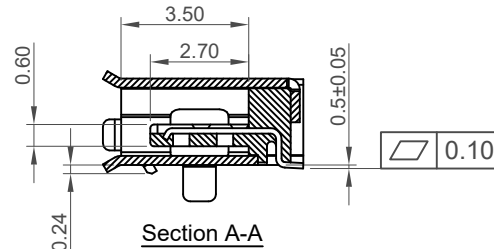
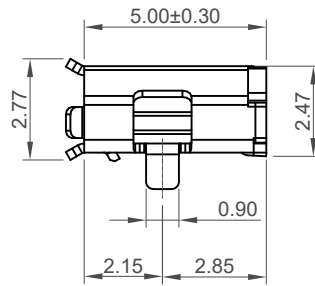
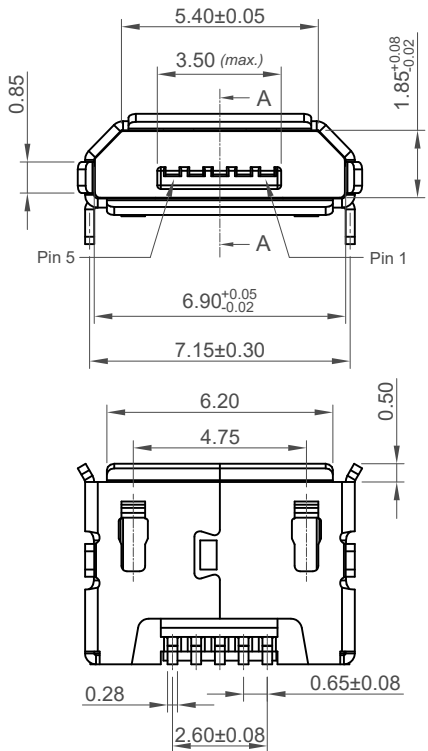


Designed to comply with physical, electrical and environmental requirements of Micro USB Standard (USB2.0).



Recommended PCB Layout
as viewed from component side

▨ Solder Area □ Component Outline



Specifications 规格:

Materials 材料:

Plastic Housing 塑胶外壳: LCP, UL94V-0, Black
Contact Terminal 接触端子: Copper Alloy 铜合金
Metallic Shell 金属外壳: Stainless Steel 不锈钢 SUS 304 T = 0.25mm

Plating 电镀:

Underplating 底层电镀: 50µ" Nickel, 50µ" 镍
Finish 表面处理: Contact Area 接触面积: 30µ" Gold plating, 30µ" 镀金
Solder Tails 焊接末端: Gold Flash 镀金
Metallic Shell 金属外壳: Matte Tin 雾锡

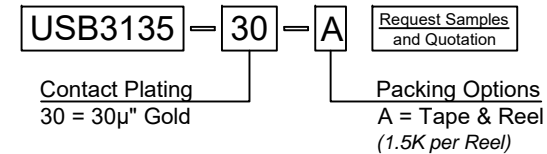
Electrical 电气规格:

Voltage Rating 电压额定值: 30 V AC
Current Rating 电流额定值: Signal (Pins 2,3,4) 信号: 1.0A.
Power (Pins 1,5) 电源: 1.8A.
Operating Temperature 工作温度: -30°C to +85°C
Contact Resistance 接触电阻值: 30mΩ Max.
Insulating Resistance 绝缘电阻值: 1000MΩ Min.
Dielectric Withstand Voltage 耐压: 500V AC/Minute

Mechanical 机械性规格:

Mating Force 插入力: 35N Max.
Unmating Force 拔出力: 10N Min.
Durability 耐久性: 10,000 Cycles 次插拔

Ordering Grid



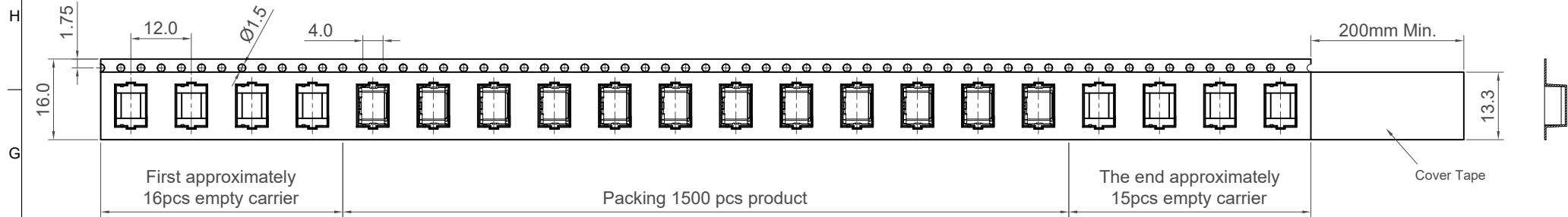
Part Number		Product Description	
USB3135		Micro USB Receptacle, Type B, SMT, Horizontal	
Drawing Date		Top (Reverse) Mount, without Peg, with Outer Shell Stakes	
1st June 2012			
By	CC	Tolerances (Except as Noted)	Units:
Detail	USB3135	Length	Metric (mm)
Revision	B PCN	X.X ± 0.2	X.X° ± 2°
Date	B4	X.XX ± 0.15	X.XX° ± 1°
	16/12/16	X.XXX ± 0.05	X.XXX° ± 0.5°



This drawing is confidential and copyright of Global Connector Technology, Ltd (GCT). This drawing must not be copied or disclosed without written consent. E & OE

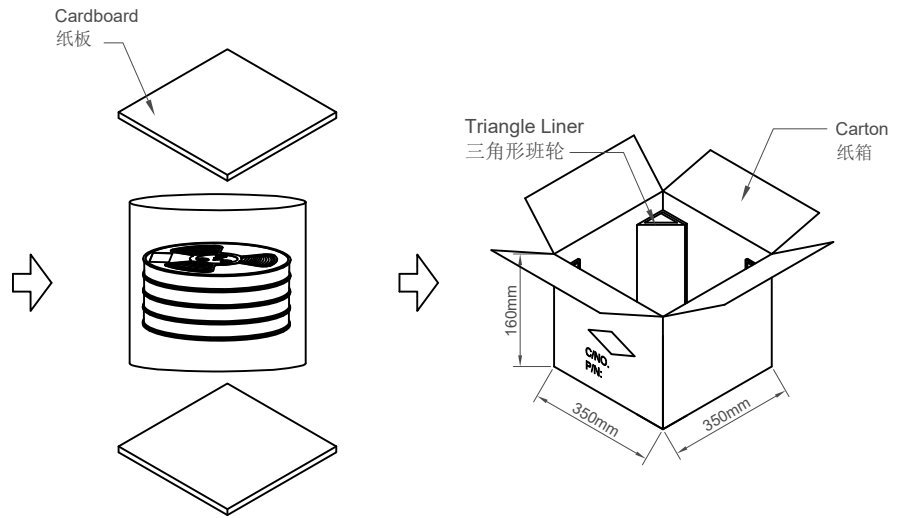
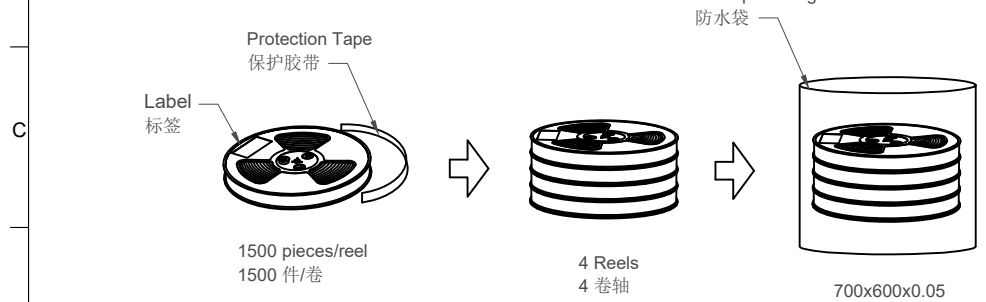
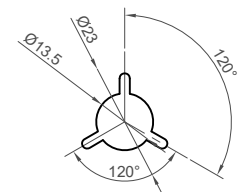
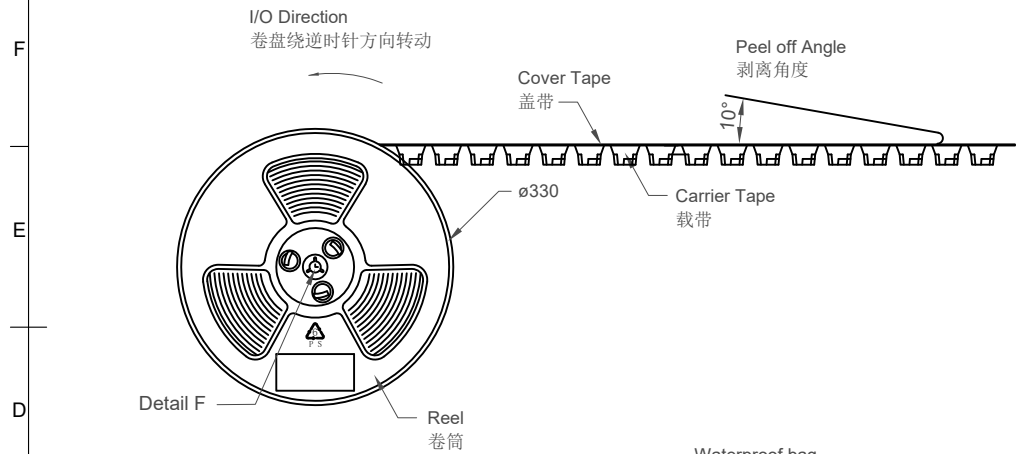


Not to Scale	Drawn By ASE	Sheet No. 1/2
--------------	--------------	---------------



Products P/N	PCS/Reel	Reels/Carton	PCS/Carton
USB3135	1500	4	6000

- Notes/注意:
1. Peeling off force of top tape: 0.1-1.3N
 2. Part Conforms to EIA-481-C Standards 产品符合EIA-481-C标准
 3. All dimensions in millimeters 所有尺寸均是毫米
 4. 10 sprocket hole pitch cumulative tolerance ±0.2mm



Part Number		Product Description	
USB3135		Micro USB Receptacle, Type B, SMT, Horizontal	
Drawing Date		Top (Reverse) Mount, without Peg, with Outer Shell Stakes	
1st June 2012			
By	CC	Tolerances (Except as Noted)	
Detail	USB3135	Length	Angle
Revision	B4	X.X ± 0.2	X.X° ± 2°
Date	16/12/16	X.XX ± 0.15	X.XX° ± 1°
		X.XXX ± 0.05	X.XXX° ± 0.5°
		Units:	Metric (mm)
		3rd Angle Projection	



This drawing is confidential and copyright of Global Connector Technology, Ltd (GCT). This drawing must not be copied or disclosed without written consent. E & OE



Not to Scale	Drawn By ASE	Sheet No. 2/2
--------------	--------------	---------------