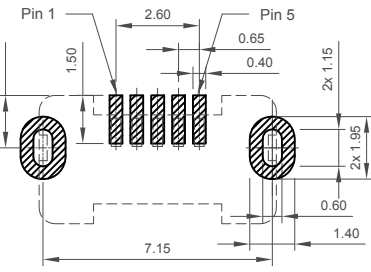
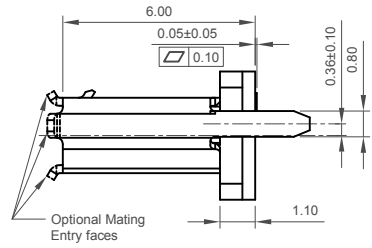
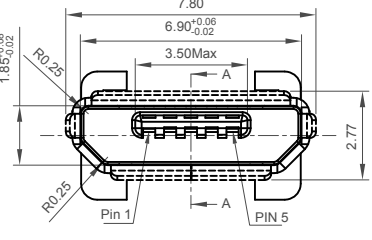
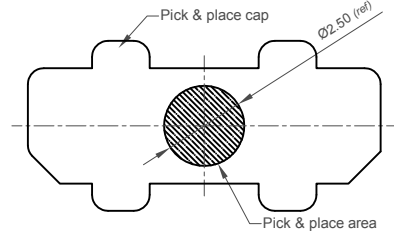
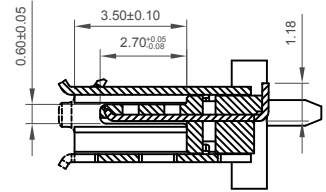
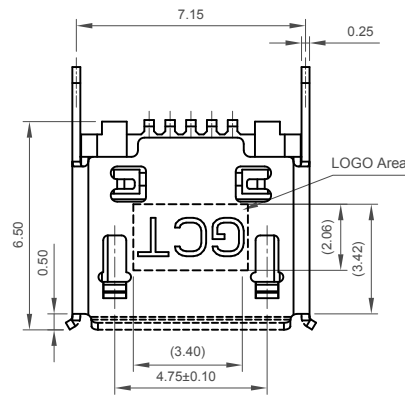
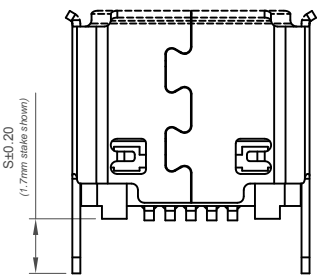


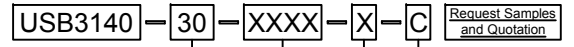
**PCB Mount & Cap Information**



**Recommended PCB Layout**  
As viewed from component side General tolerance: ±0.05  
Solder Area Component Outline



**Ordering Grid**



**Contact Plating**  
30 = 30µ" Gold

**Packing Options**  
C = Tape & Reel with Cap (500 per reel)

**Mating Entry Face**  
1 = With Mating Entry Face (Standard)  
0 = Without Mating Entry Face

**Shell Stake Length "S"**  
0070 = 0.70mm  
0170 = 1.70mm (recommended for 1.00mm PCB)  
0230 = 2.30mm (recommended for 1.60mm PCB)

Designed to comply with physical, electrical and environmental requirements of Micro USB Standard (USB2.0)

**Specifications**

**Material**  
Plastic Housing: LCP, UL94V-0, Black  
Contact Terminal: Copper Alloy  
Metallic Shell: Stainless Steel T=0.25mm.

**Plating**  
Contact Terminal:  
Contact Area: 30µ" Gold  
Solder Tails: Gold Flash  
Underplating: 50µ" Nickel  
Metallic Shell: Matte Tin over 50µ" Nickel

**Electrical**  
Voltage Rating: 30 V AC  
Current Rating: Signal (Pins 2,3,4): 1.0 A.  
Power (Pins 1,5): 1.8A.  
Operating Temperature: -30°C to +85°C.  
Contact Resistance: 30mΩ max.  
Insulating Resistance: 1000MΩ min.  
Dielectric Withstand Voltage: 500V AC/minute

**Mechanical & Environmental**  
Mating Force: 35N max.  
Unmating Force: Initial 10N min  
Final 8N min after durability test  
Durability: 10,000 Cycles

Part Number		Product Description	
USB3140		Micro USB Receptacle, Type B, Surface Mount, Vertical, with Through-Hole Shell Stakes	
Drawing Date		2nd April 2013	
By	CC	Tolerances (Except as Noted)	Units:
Detail	USB3140	Length	Metric (mm)
Revision	D PCN	X ±0.50	
Date	17/07/17	X.X ± 0.30	
		X.XX ± 0.20	
		X.XXX ± 0.10	

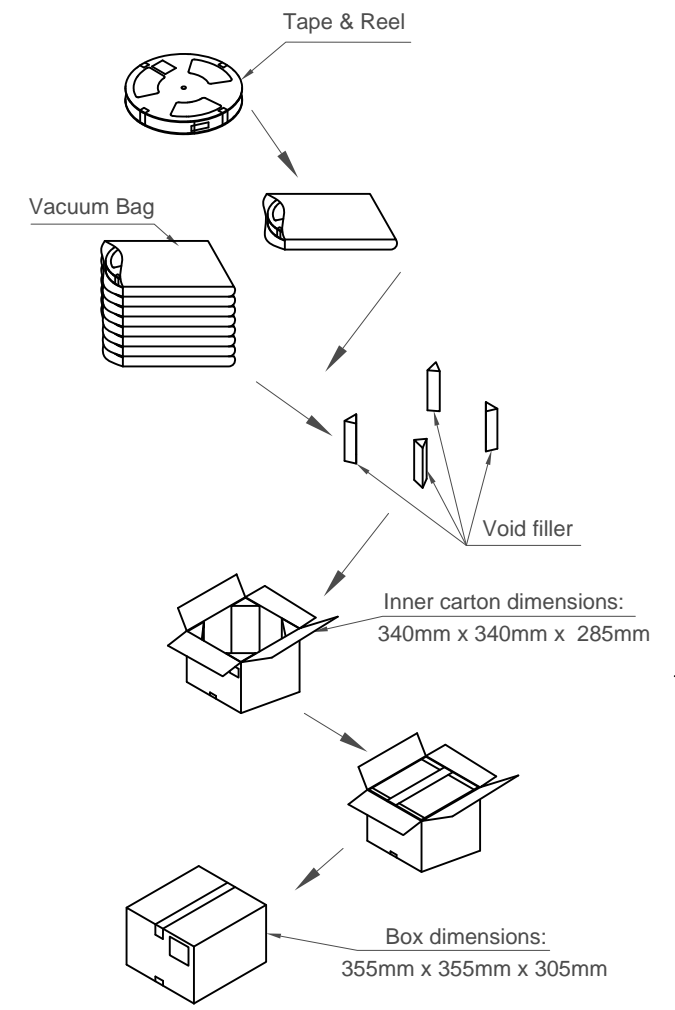
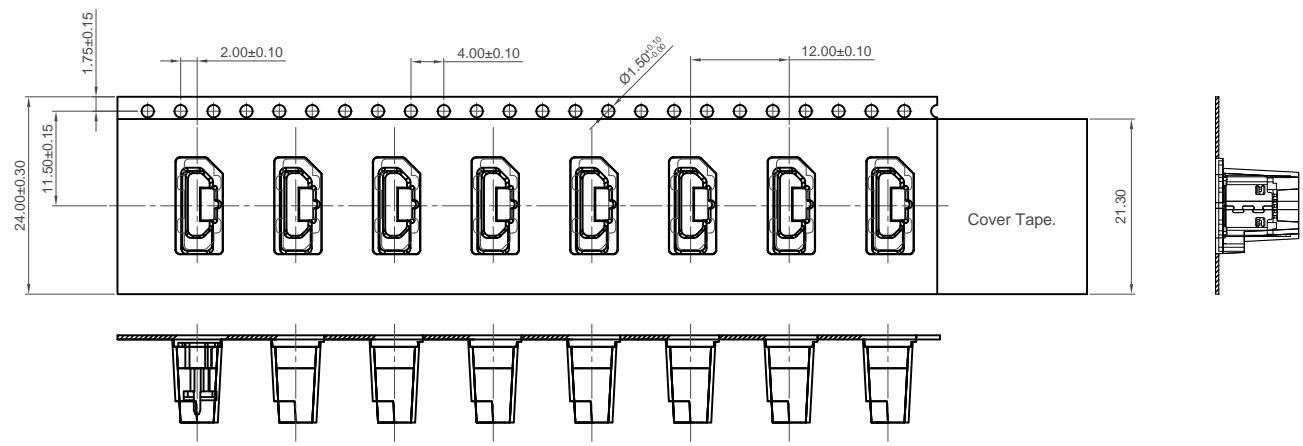
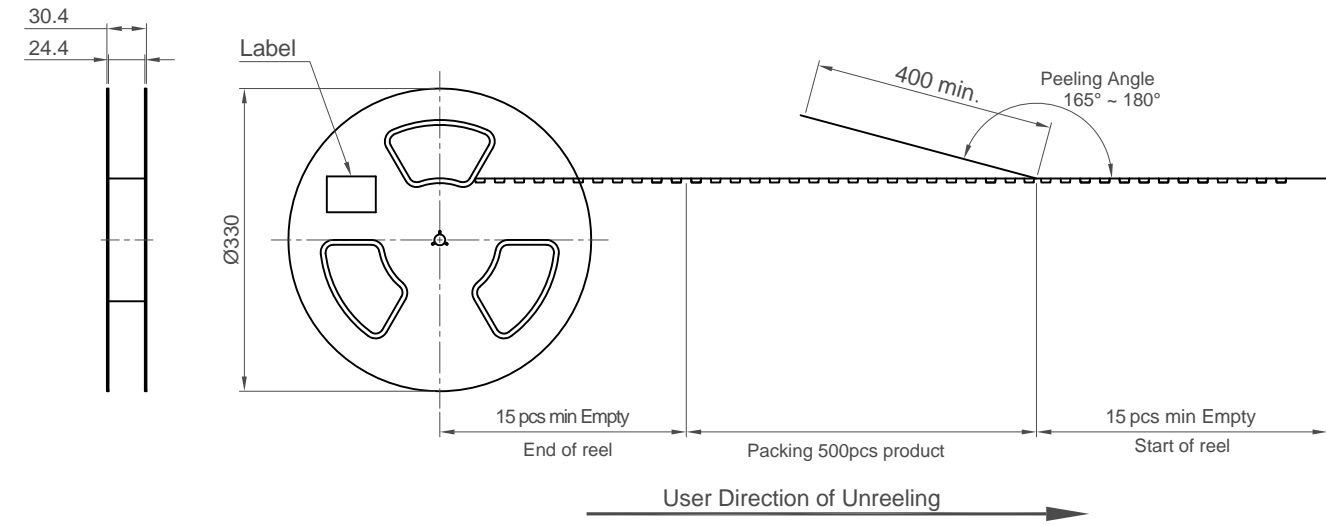


This drawing is confidential and copyright of Global Connector Technology, Ltd (GCT). This drawing must not be copied or disclosed without written consent. E & OE



Not to Scale	Drawn By AJO	Sheet No. 1/2
--------------	--------------	---------------

H  
G  
F  
E  
D  
C  
B  
A



Notes:  
Peeling off force of top tape: 0.1-1.3N (Peeling direction as shown)

Materials:  
Carrier Tape: Polystyrene (PS)  
Top Tape: PE  
Reel Tape: Polystyrene (PS)

Pcs / Reel	Reels / Carton	Total Quantity
500	9	4500 pcs

Part Number USB3140		Product Description Micro USB Receptacle, Type B, Surface Mount, Vertical, with Through-Hole Shell Stakes	
Drawing Date 2nd April 2013			
By CC	Tolerances (Except as Noted) Length Angle	Units: Metric (mm)	  
Detail USB3140 D PCN	X.0.20 X.X ± 0.15	X.X° ± 2°	
Revision D	X.XX ± 0.10		
Date 17/07/17	X.XXX ± 0.05		

This drawing is confidential and copyright of Global Connector Technology, Ltd (GCT). This drawing must not be copied or disclosed without written consent. E & OE



Not to Scale	Drawn By AJO	Sheet No. 2/2
--------------	-----------------	------------------

1 2 3 4 5 6 7 8