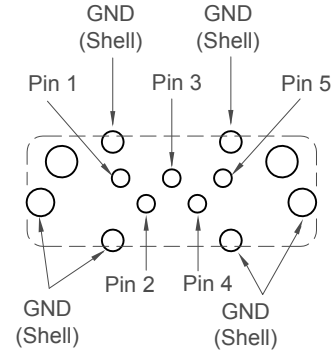


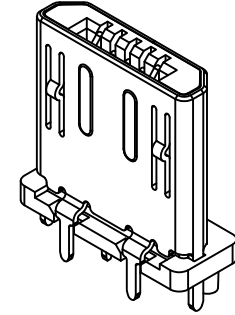
Recommended PCB Layout

Tolerance: $\pm 0.05\text{mm}$

□ Component Outline



PCB Pin Number Description



Specifications

Materials:

Plastic Housing: LCP, UL94V-0, Black
 Contact Terminal: Copper Alloy
 Metallic Shell: Stainless Steel

Plating:

Underplating: $50\mu\text{m}$ Nickel min.
 Finish: Contact Area: $30\mu\text{m}$ Gold plating
 Solder Tails: Matte Tin
 Metallic Shell: Nickel

Electrical:

Voltage Rating: 30 V AC
 Current Rating: Signal (Pins 2,3,4): 1.0 A.
 Power (Pins 1,5): 1.8A.
 Operating Temperature: -30°C to $+85^\circ\text{C}$.
 Contact Resistance: $30\text{ m}\Omega$ max.
 Insulating Resistance: $1000\text{ M}\Omega$ min.
 Dielectric Withstand Voltage: 500V AC/Minute

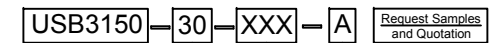
Mechanical:

Mating Force: 35N max.
 Unmating Force: 8N min.
 Durability: 10,000 cycles

Pin	Signal
1	VBUS
2	D-
3	D+
4	ID
5	GND
Shell	Shield

Pin Assignments

Ordering Grid



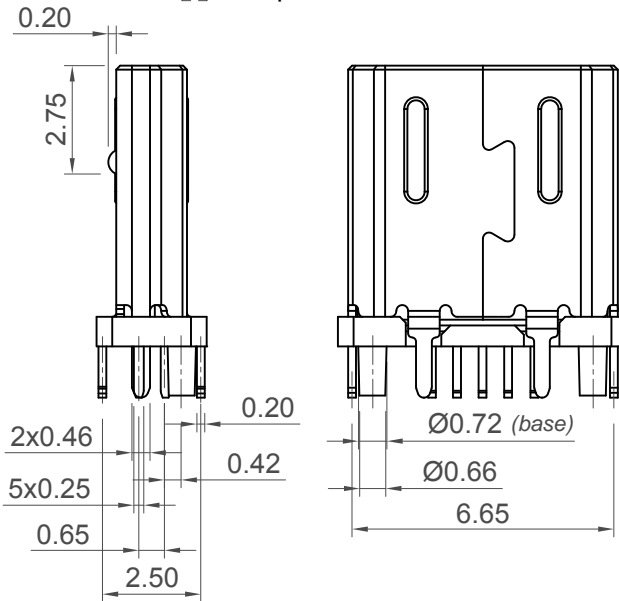
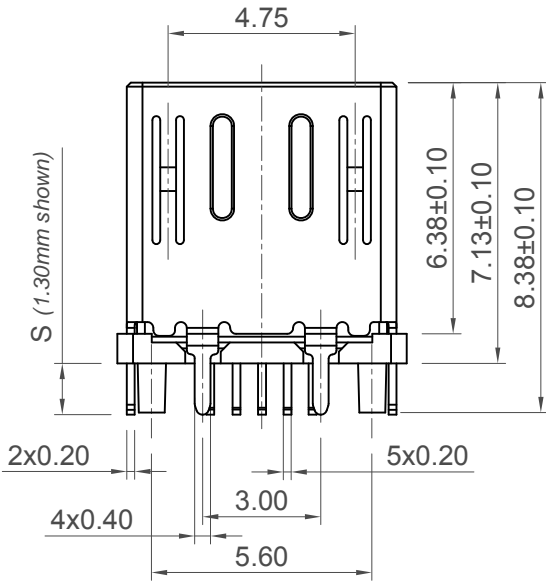
Contact Plating

30 = $30\mu\text{m}$ Gold

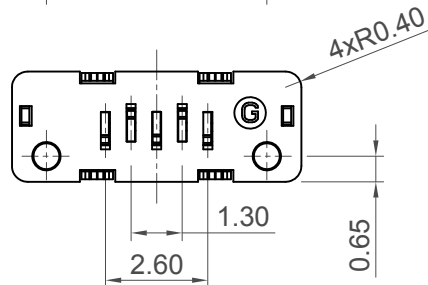
Shell Stake & Lead Length "S"

075 = 0.75mm (recommended for PCB thickness 0.4mm)

130 = 1.30mm (recommended for PCB thickness 0.8mm)



Designed to comply with physical, electrical and environmental requirements of Micro USB Standard (USB2.0)



Part Number		Product Description	
USB3150		Micro USB Plug - Type B, Through-Hole	
Drawing Date		Vertical, with Shell Stakes and Locating Pegs	
30th April 2015			
By	CC	Tolerances (Except as Noted)	Units:
Detail	Drawing Release	Length	Metric (mm)
Revision	A2	Angle	
Date	15/01/18	$X.X \pm 0.10$	$X^\circ \pm 2.0^\circ$
		$X.XX \pm 0.05$	$X.X^\circ \pm 1.0^\circ$

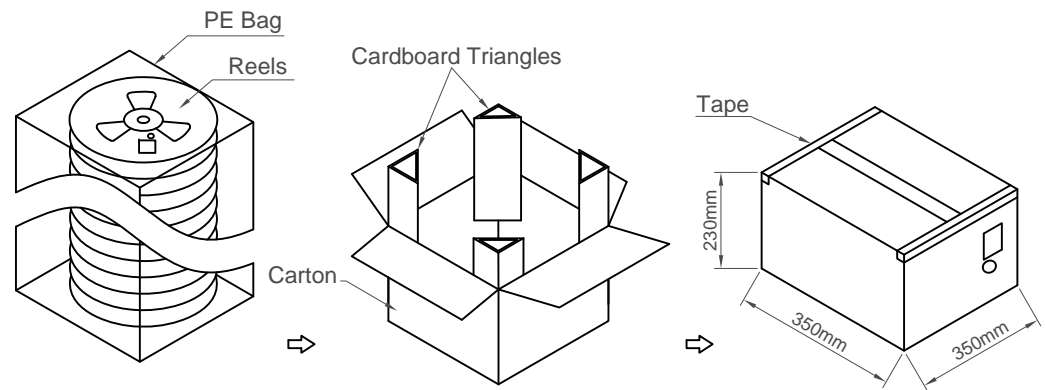
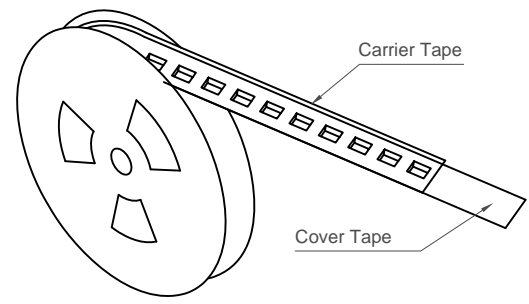
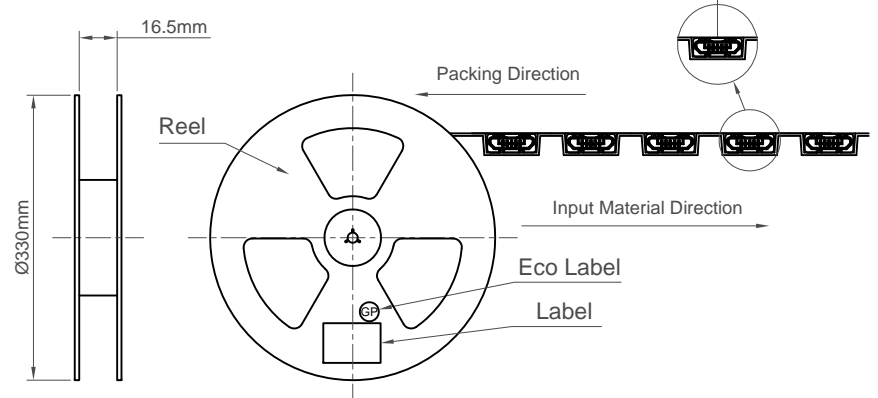
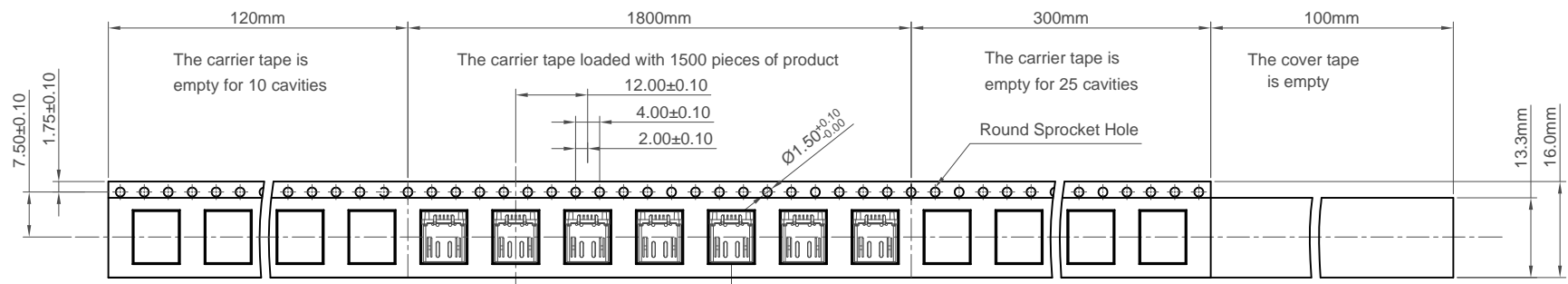


This drawing is confidential and copyright of Global Connector Technology, Ltd (GCT). This drawing must not be copied or disclosed without written consent. E & OE



Not to Scale	Drawn By AJO	Sheet No. 1/2
--------------	--------------	---------------

H
G
F
E
D
C
B
A



Part Number	Specification	Q'ty
Carrier Tape	16.0mm (W) x 18.42m (L)	10
Cover Tape	13.3mm (W)	185.2m
Reel	330 x 21mm	10
Bag	400 x 400 x 400mm, PE	1
Cardboard Triangles	430 x 215 x 3mm	4
Carton	350 x 350 x 230mm	1
Desiccant	3.5g	2

Part Number	Pcs./Reel	Reels/Carton	Pcs./Carton
USB3150	1500	10	15000

Part Number USB3150		Product Description Micro USB Plug - Type B, Through-Hole Vertical, with Shell Stakes and Locating Pegs	
Drawing Date 30th April 2015			
By CC	Drawing Release	Tolerances (Except as Noted) Length X.X ± 0.10 X.XX ± 0.05	Units: Metric (mm) X.° ± 2.0° X.X° ± 1.0°
Detail	A2	3rd Angle Projection	
Revision	Date	15/01/18	



This drawing is confidential and copyright of Global Connector Technology, Ltd (GCT). This drawing must not be copied or disclosed without written consent. E & OE



Not to Scale	Drawn By AJO	Sheet No. 2/2
--------------	-----------------	------------------

1 2 3 4 5 6 7 8