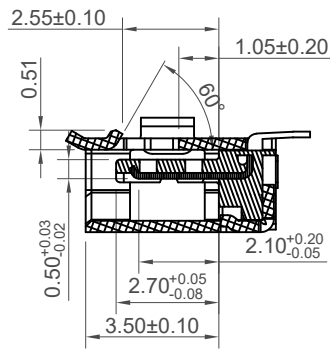
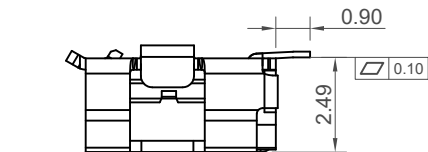


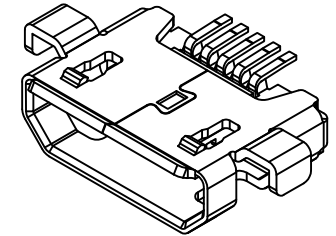
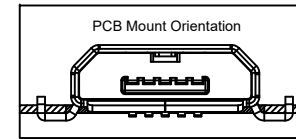
Recommended PCB Layout
PCB Thickness = 0.6mm

Solder Area Component Outline



Section A-A

Designed to comply with physical, electrical and environmental requirements of Micro USB Standard (USB2.0).



Specification 规格:

Material 物料:

Plastic Housing 塑胶底座: Thermoplastic, UL94V-0, Black
Contact Terminal 端子: Copper Alloy
Metallic Shell 外壳: Stainless Steel

Plating 电镀:

Underplating 底层电镀: Ni overall 50µ" min.
Finish 表面处理: Contact Area 接触区域: See ordering grid
Solder area 焊接区: Gold Flash
Metallic Shell 外壳: Matte Tin 50µ" min.
Solder area 焊接区: Gold Flash

Electrical 电气:

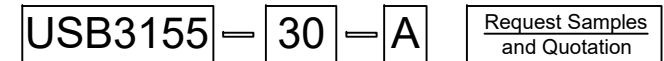
Voltage Rating 电压额定值: 30 V AC max.
Current Rating 电流额定值: Signal Pins (2,3,4) 1.0 A
Power Pins (1,5) 1.8 A

Dielectric Withstanding 耐电压: 500V AC
Insulation Resistance 绝缘电阻: 1000 MΩ min.
Contact Resistance 接触电阻: 30 mΩ max.

Mechanical & Environment 机械&环境:

Operating Temperature 工作温度: -30°C to +85°C
Mating Force 插入力: 35N max.
Unmating Force 拨出力: 10N min.
Durability 耐久性: 10,000 cycles

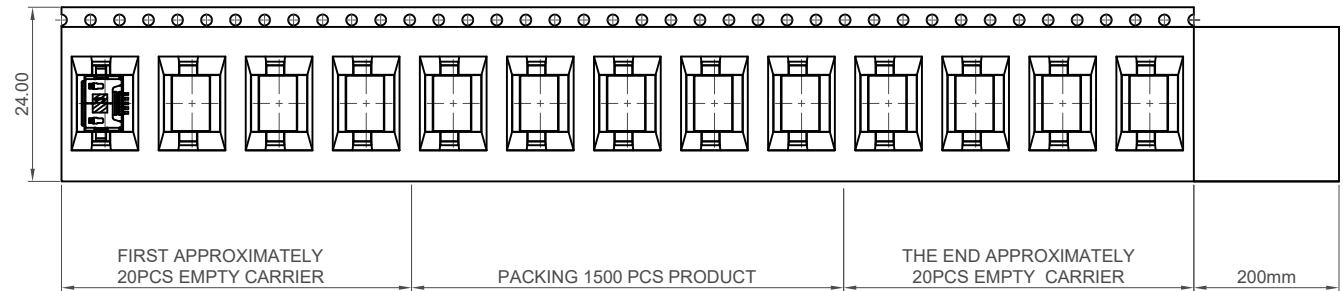
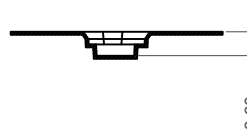
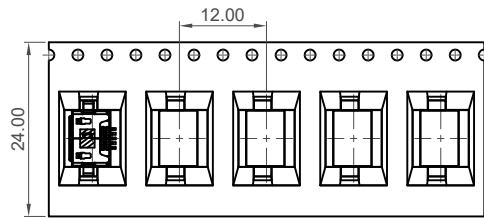
Ordering Grid



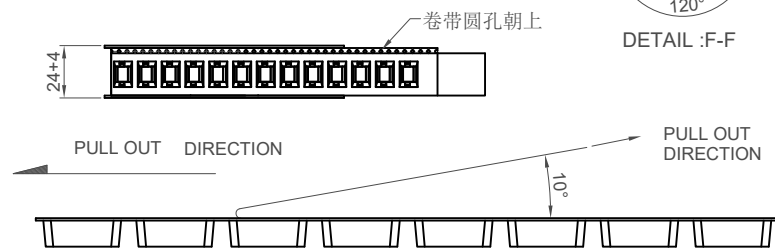
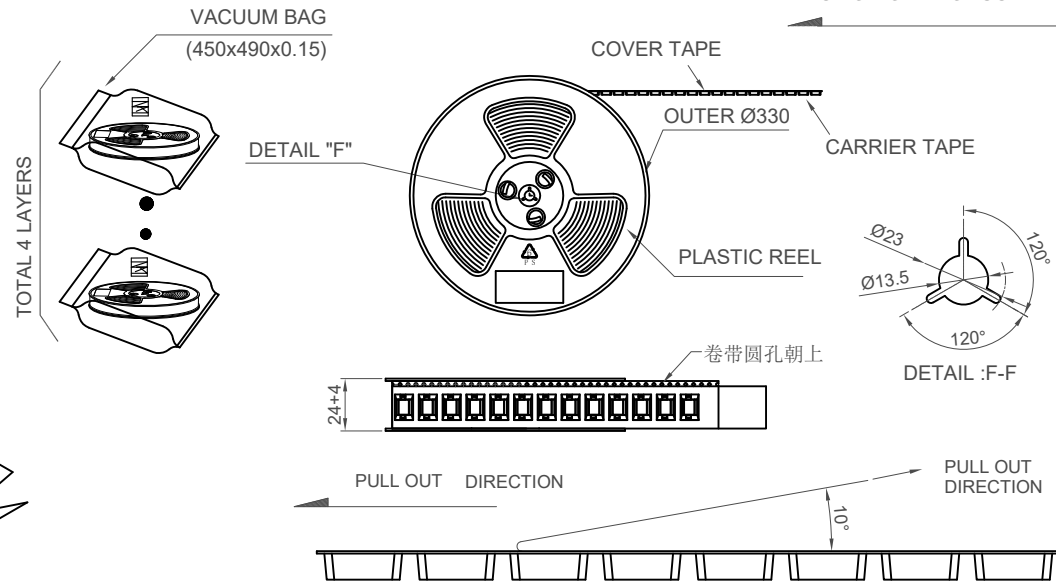
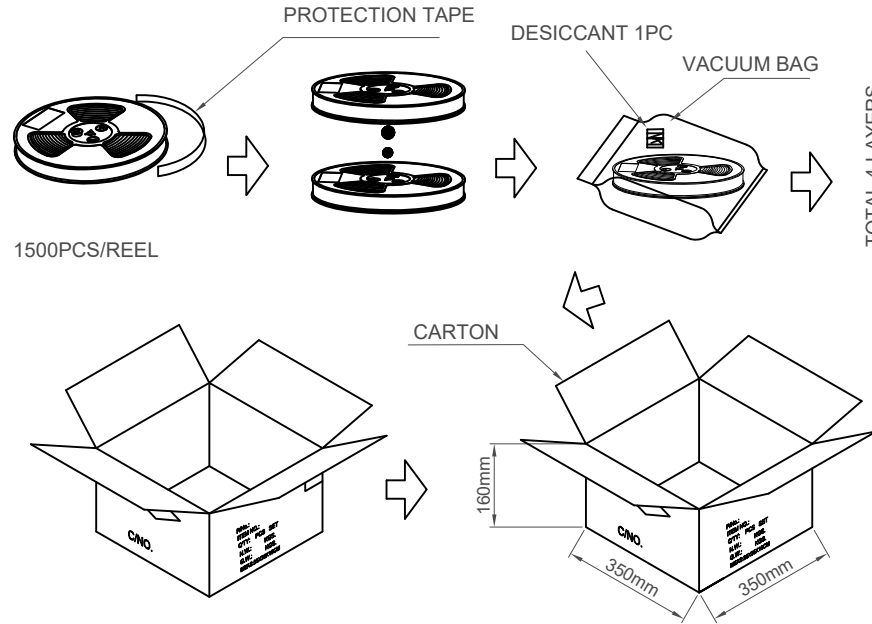
Contact Plating
30 = 30µ" Gold

Packing Options
A = Tape & Reel w/Film
(1,500 per reel)

Part Number		Product Description		GCT www.gct.co	
USB3155		Micro USB Receptacle, Type B			
Drawing Date		SMT, Horizontal, Mid-Bottom Mount			
9th April 2015					
By	CC	Tolerances (Except as Noted)		Units:	RoHS COMPLIANT 2011/65/EU Deca-BDE
Detail	USB3155	Length	Angle	Metric (mm)	
Revision	B PCN	X.X ± 0.30	X.X° ± 2°		
Date	B1	X.XX ± 0.20	X.XX° ± 1°		
	19/12/16	X.XXX ± 0.10	X.XXX° ± 0.5°	3rd Angle Projection	
				This drawing is confidential and copyright of Global Connector Technology, Ltd (GCT). This drawing must not be copied or disclosed without written consent. E & OE	
Not to Scale	Drawn By	Sheet No.			
	AJO	1/2			



THE DIRECTION OF PRODUCT PACKING



Part Number	Pcs./Reel	Reels/Carton	Pcs./Carton
USB3155	1500	4	6000

Part Number		Product Description		Units:	
USB3155		Micro USB Receptacle, Type B		Metric (mm)	
Drawing Date		SMT, Horizontal, Mid-Bottom Mount		RoHS COMPLIANT 2011/65/EU Deca-BDE	
9th April 2015				This drawing is confidential and copyright of Global Connector Technology, Ltd (GCT). This drawing must not be copied or disclosed without written consent. E & OE	
By	CC	Tolerances (Except as Noted)		3rd Angle Projection	
Detail	USB3155 B PCN	Length	Angle		
Revision	B1	X.X ± 0.50	X.X° ± 2°		
Date	19/12/16	X.XX ± 0.30	X.XX° ± 1°		
		X.XXX ± 0.20	X.XXX° ± 0.5°		

GCT
www.gct.co

Not to Scale | Drawn By AJO | Sheet No. 2/2