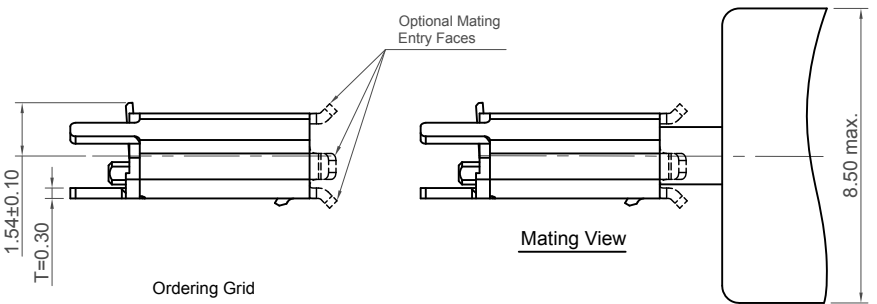
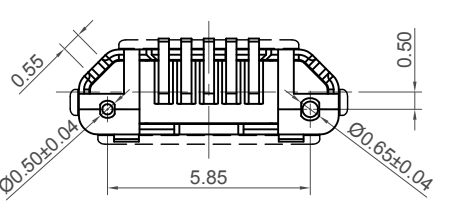
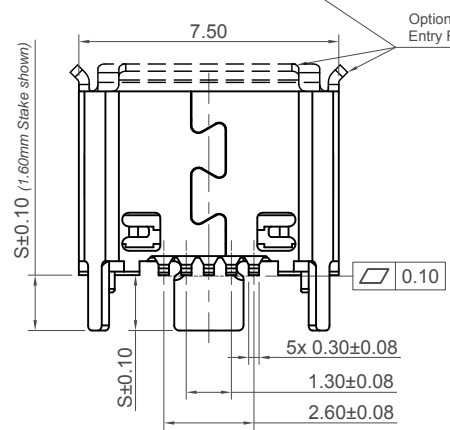


Recommended PCB Layout
As viewed from component side General tolerance: ±0.05
 Solder Area □ Component Outline

PCB Mount & Cap Information



Mating View

Ordering Grid
USB3160 - 30 - XXXX - X - C [Request Samples and Quotation](#)
Contact Plating
30 = 30µ" Gold
Shell Stake Length "S"
0060 = 0.60mm
0110 = 1.10mm (recommended for 0.80mm PCB)
0160 = 1.60mm (recommended for 1.00mm PCB)
Packing Options
C = Tape & Reel with Cap (500 per reel)
Mating Entry Face
1 = With Mating Entry Face
0 = Without Mating Entry Face

Designed to comply with physical, electrical and environmental requirements of Micro USB Standard (USB2.0)

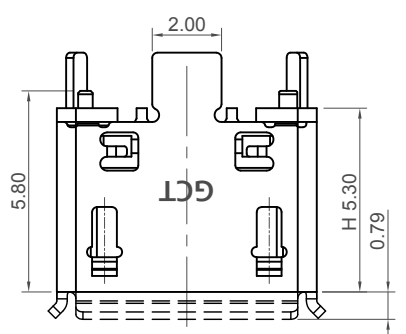
Specifications

Material
 Plastic Housing: High Temp Plastic , UL94V-0, Black
 Contact Terminal: Copper Alloy
 Metallic Shell: Stainless Steel.

Plating
 Underplating: 50µ" Nickel min
 Finish: Contact Area: 30µ" Gold
 Solder Tails: Gold Flash
 Metallic Shell: Matte Tin

Electrical
 Voltage Rating : 30 V AC
 Current Rating: Signal (Pins 2,3,4): 1.0 A.
 Power (Pins1,5): 2.8A.
 Operating Temperature: -30°C to +85°C.
 Contact Resistance: 30mΩ max.
 Insulating Resistance: 1000MΩ min.
 Dielectric Withstand Voltage: 100V AC/minute

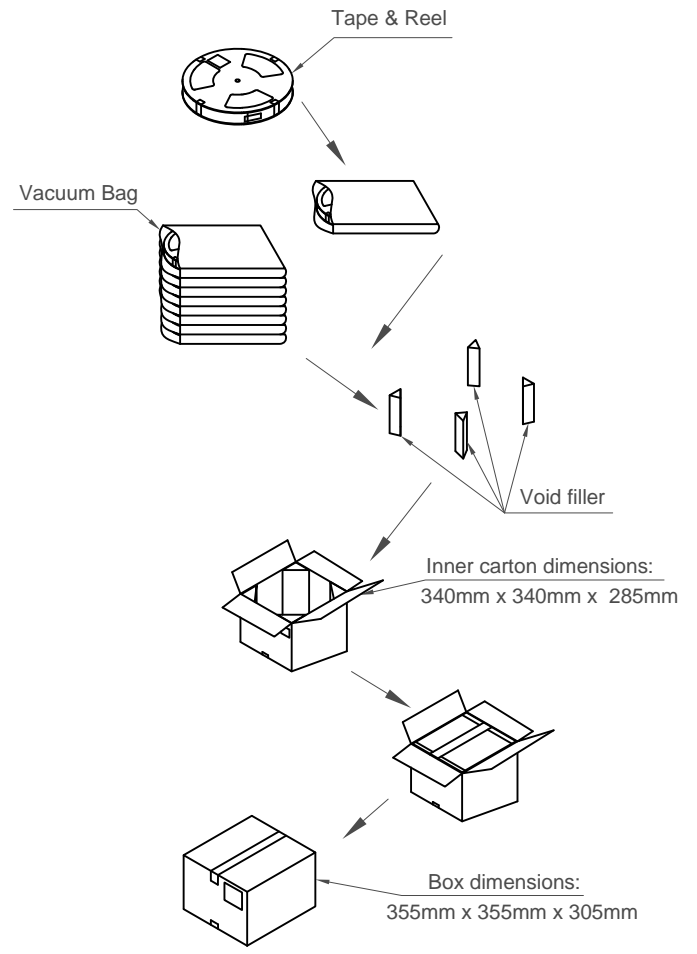
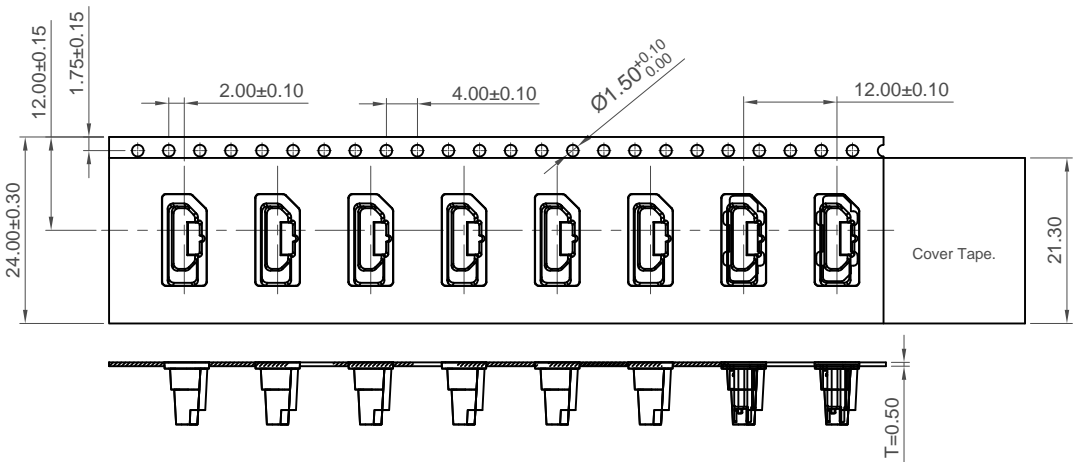
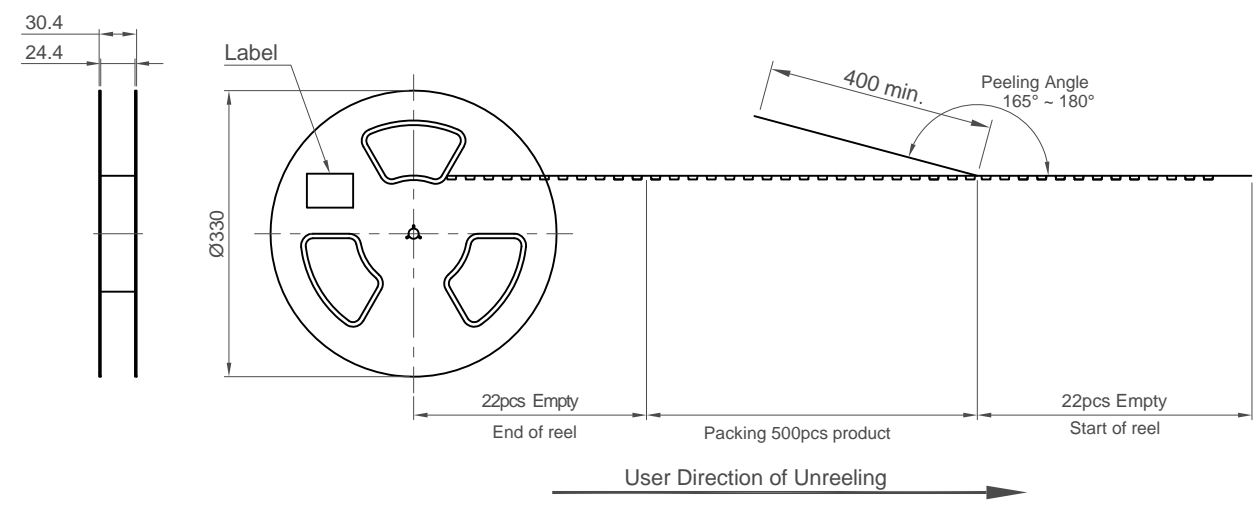
Mechanical & Environmental
 Mating Force: 35N max.
 Unmating Force: 8N min.
 Durability: 10,000 Cycles



Part Number		Product Description	
USB3160		Micro USB Receptacle, Type B, Surface Mount, Vertical, With Locating Peg & Through-Hole Shell Stakes	
Drawing Date		2nd November 2016	
By	CC	Tolerances (Except as Noted)	Units:
Detail	USB3160 C PCN	Length X. ± 0.50 X.X ± 0.30 X.XX ± 0.20	Metric (mm)
Revision	C1	Angle ± 2°	
Date	05/01/18	X.XXX ± 0.10	
		This drawing is confidential and copyright of Global Connector Technology, Ltd (GCT). This drawing must not be copied or disclosed without written consent. E & OE	
Not to Scale	Drawn By CC	Sheet No. 1/2	



H
G
F
E
D
C
B
A



Notes:
Peeling off force of top tape: 0.1-1.3N (Peeling direction as shown)

Materials:
Carrier Tape: Polystyrene (PS)
Top Tape: PE
Reel Tape: Polystyrene (PS)
Bag: PE

Pcs / Reel	Reels / Carton	Total Quantity
500	9	4500 pcs

Part Number		Product Description	
USB3160		Micro USB Receptacle, Type B, Surface Mount, Vertical, With Locating Peg & Through-Hole Shell Stakes	
Drawing Date		2nd November 2016	
By	CC	Tolerances (Except as Noted)	Units:
Detail	USB3160 C PCN	Length X. ± 0.20 X.X ± 0.15 X.XX ± 0.10 X.XXX ± 0.05	Metric (mm)
Revision	C1	Angle	± 2°
Date	05/01/18	3rd Angle Projection	



This drawing is confidential and copyright of Global Connector Technology, Ltd (GCT). This drawing must not be copied or disclosed without written consent. E & OE



Not to Scale	Drawn By CC	Sheet No. 2/2
--------------	----------------	------------------

1 2 3 4 5 6 7 8