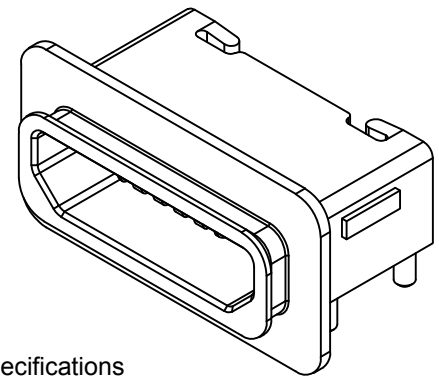


Recommended PCB Layout
 As viewed from component side Tolerance: ±0.03mm
 Recommended PCB Thickness: 0.60mm
 [Hatched Box] Solder Area [Dashed Box] Component Outline



Specifications

Material

Insulator: High Temp. Plastic UL 94V-0, Black
 Contact: Copper Alloy
 Shell (including pegs): Stainless Steel

Plating

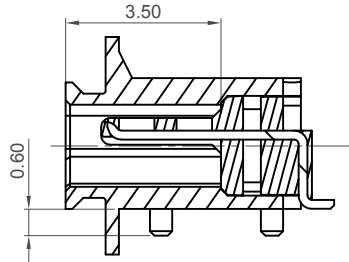
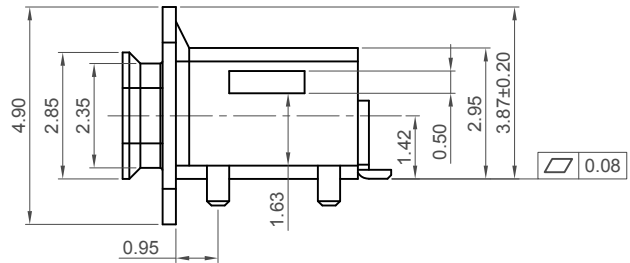
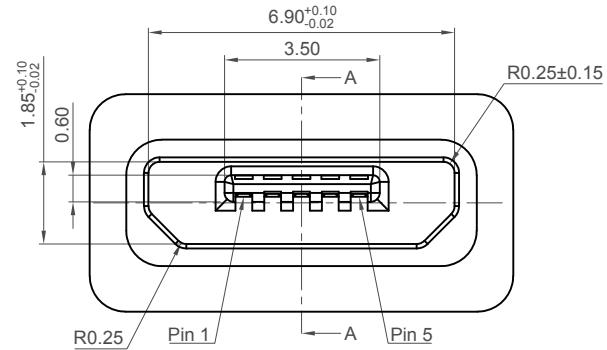
Contact
 Contact Area: 30µ" Gold
 Solder Tails: 75µ"-150µ" Matte Tin
 Under Plating: 50µ" Min Nickel
 Shell: 50µ"-80µ" Nickel over all

Electrical

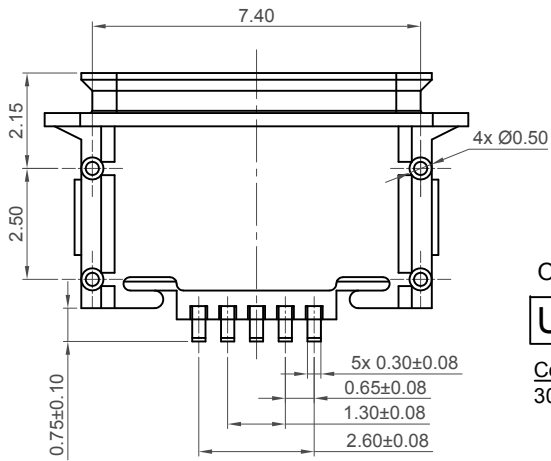
Current Rating: Signal (Pins 2,3,4): 1.0A
 Power (Pins 1,5): 1.8A
 Voltage Rating: 30V AC
 Contact Resistance: 30mΩ max.
 Dielectric Withstanding Voltage: 100V AC
 Insulation Resistance 1000MΩ min

Mechanical & Environmental

Operating Temperature: -30°C to +85°C
 Mating Force: 35N max.
 Unmated Force: 8N min.
 Durability: 10,000 cycles
 Ingress Protection Rating: IP67



Section A-A



Ordering Grid
USB3505 - **30** - **A** [Request Samples and Quotation]
Contact Plating
 30 = 30µ" Gold
Packing Options
 A = Tape & Reel
 (1,000 per reel)

Part Number		Product Description	
USB3505		Micro USB Type B Receptacle, Top-Mount, IP67	
Drawing Date		6th September 2019	
By	CC	Tolerances (Except as Noted)	Units:
Detail	Drawing Release	Length X. ± 0.50 X.X ± 0.30 X.XX ± 0.20 X.XXX ± 0.10	Metric (mm)
Revision	A4	Angle ± 1°	[Symbol] 3rd Angle Projection
Date	01/04/20		

RoHS COMPLIANT
2011/65/EU
Deca-SIDE

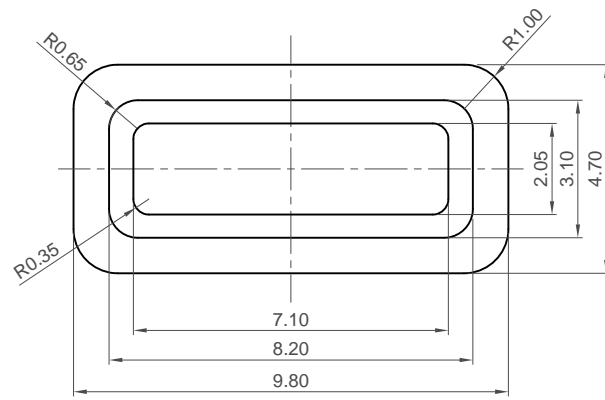
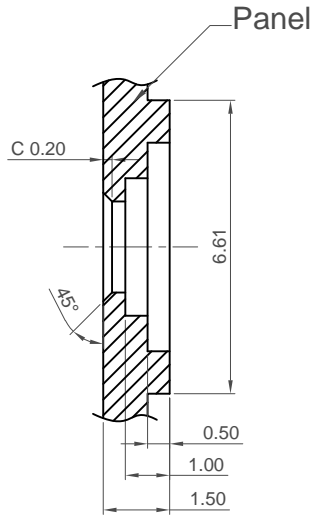
This drawing is confidential and copyright of Global Connector Technology, Ltd (GCT).
This drawing must not be copied or disclosed without written consent. E & OE

GCT
www.gct.co

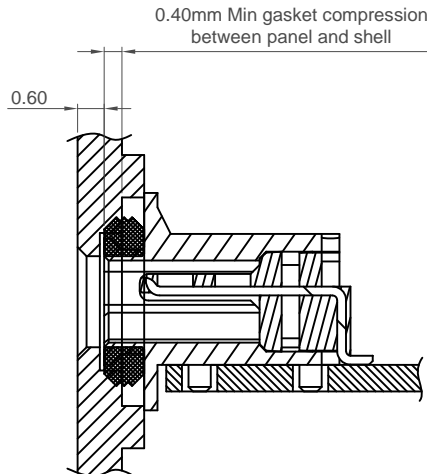
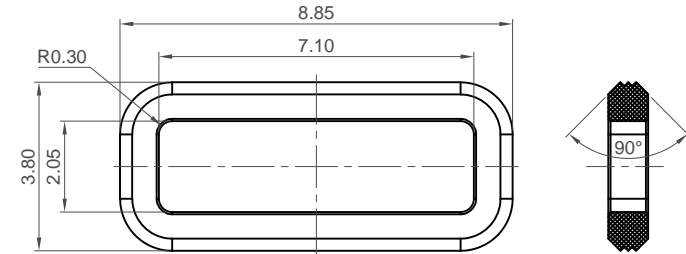
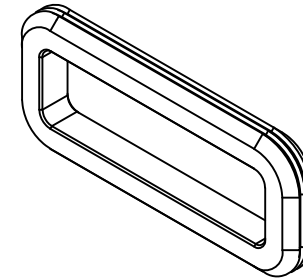
Not to Scale	Drawn By CC	Sheet No. 1/4
--------------	----------------	------------------

H
G
F
E
D
C
B
A

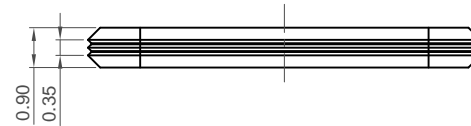
1 2 3 4 5 6 7 8



Recommended Panel Spec
Tolerance: $\pm 0.05\text{mm}$

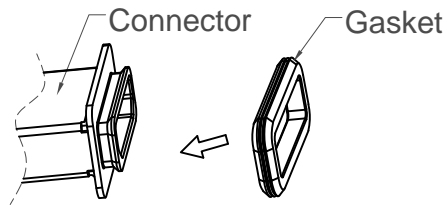


(Suggest compression 40-50% of gasket thickness)

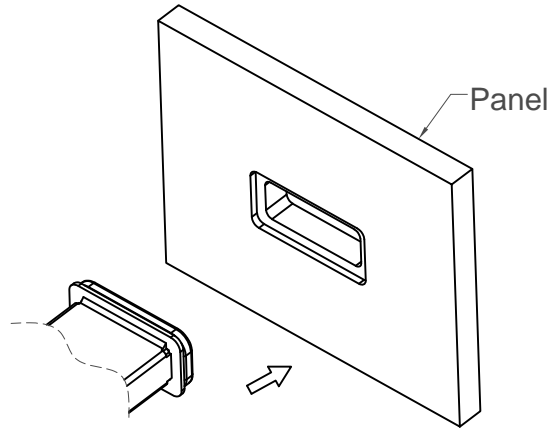


Recommended Waterproof Gasket Spec
Gasket Part No.: USBTJ-02
(Gasket must be ordered separately)
(See separate datasheet for specification)

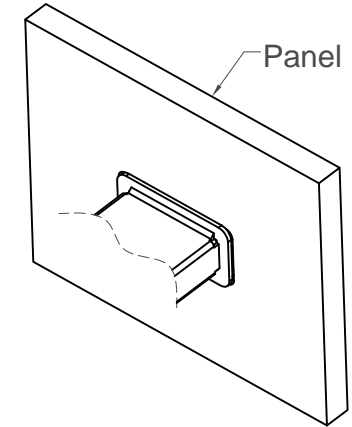
Part Number		Product Description		GCT www.gct.co
USB3505		Micro USB Type B Receptacle, Top-Mount, IP67		
Drawing Date		6th September 2019		
By	CC	Tolerances (Except as Noted)	Units:	 This drawing is confidential and copyright of Global Connector Technology, Ltd (GCT). This drawing must not be copied or disclosed without written consent. E & OE
Detail	Drawing Release	Length	Metric (mm)	
Revision	A4	X. ± 0.50	± 1°	
Date	01/04/20	X.X ± 0.30	3rd Angle Projection	
		X.XX ± 0.20		
		X.XXX ± 0.10		
				Not to Scale
				Drawn By
				CC
				Sheet No.
				2/4



Step 1






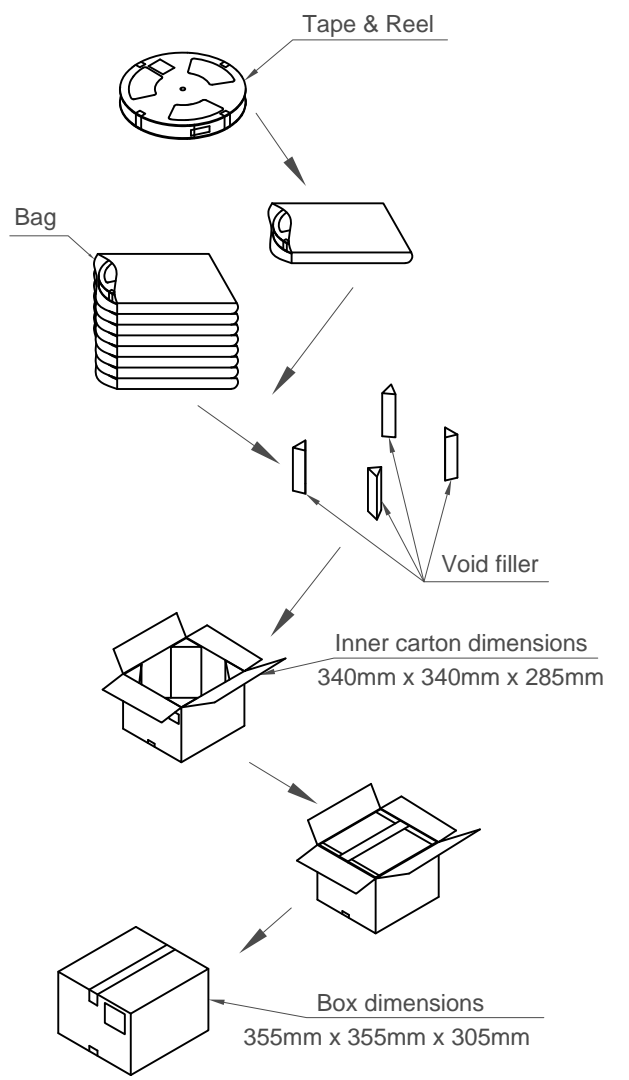
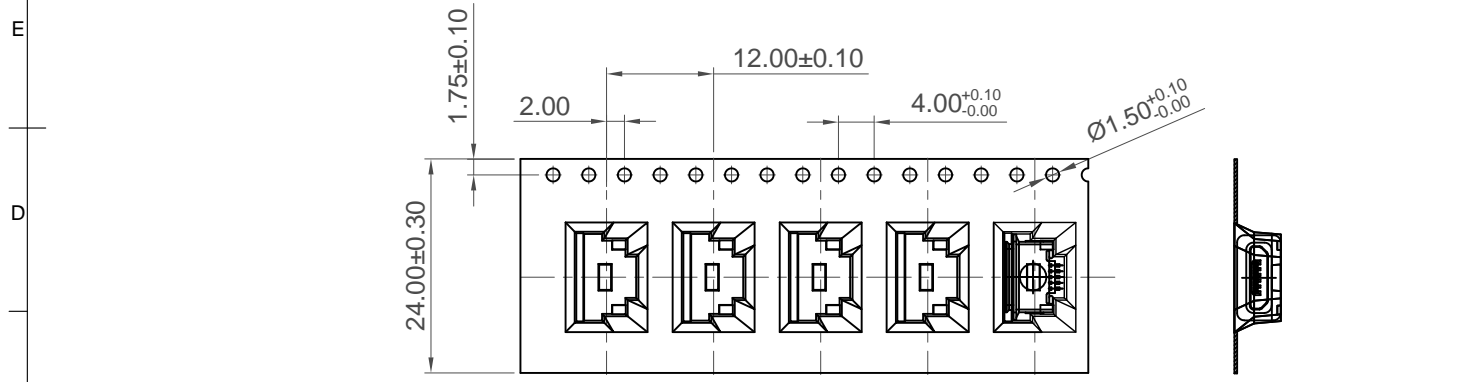
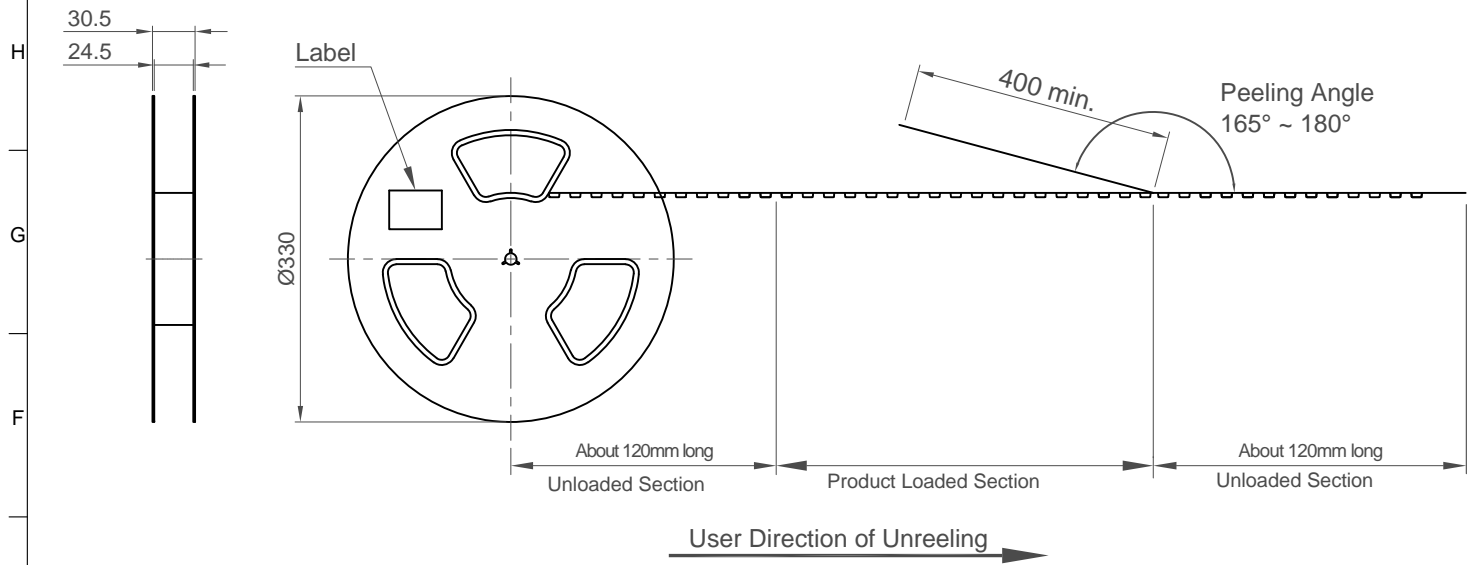
Step 2



Step 3

Assembly instruction for Gasket set after Reflow
Available for Micro USB Waterproof Series

Part Number		Product Description		 www.gct.co
USB3505		Micro USB Type B Receptacle, Top-Mount, IP67		
Drawing Date		6th September 2019		
By	CC	Tolerances (Except as Noted)	Units:	
Detail	Drawing Release			
Revision	A4	 3rd Angle Projection		
Date	01/04/20			Not to Scale



Pcs / Reel	Reels / Carton	Total Quantity
1000	9	9000

Notes:
 Peeling off force of top tape: 0.1-1.3N (Peeling direction as shown)

Materials:
 Carrier Tape: Polystyrene (PS)
 Top Tape: PE
 Reel Tape: Polystyrene (PS)
 Bag: PE

Part Number USB3505		Product Description Micro USB Type B Receptacle, Top-Mount, IP67	
Drawing Date 6th September 2019			
By CC	Detail Drawing Release	Tolerances (Except as Noted) Length Angle	Units: Metric (mm)
Revision A4	Date 01/04/20		
		This drawing is confidential and copyright of Global Connector Technology, Ltd (GCT). This drawing must not be copied or disclosed without written consent. E & OE	
Not to Scale	Drawn By CC	Sheet No. 4/4	www.gct.co