

Specifications

Material

Insulator: LCP, UL 94V-0, Black
 Contact: Copper Alloy
 Mid Plate: Stainless Steel
 EMI Plate: Stainless Steel
 Shell: Stainless Steel

Plating

Terminal:
 Contact Area: See ordering grid
 Soldering Tails: Gold Flash over 50µ" min. Nickel
 Underplating: 50µ" min. Nickel
 Shell: Nickel
 Mid Plate: Clear
 EMI Plate: Clear

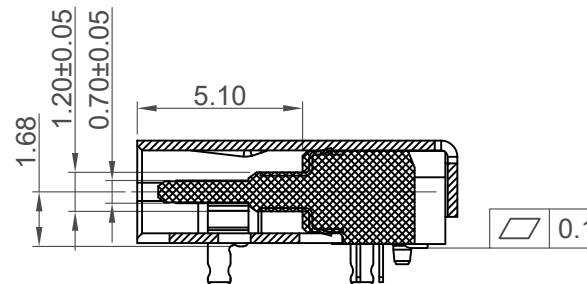
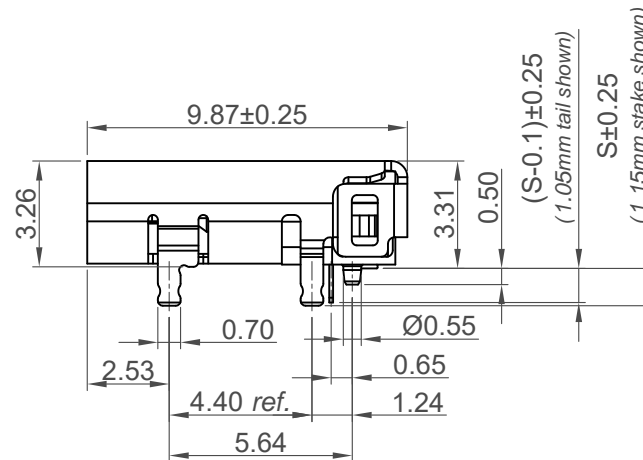
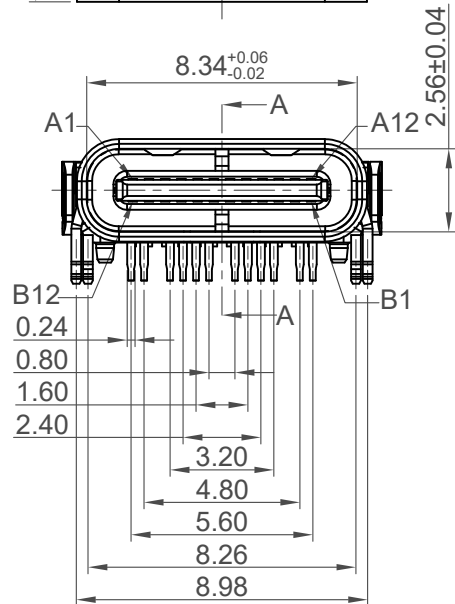
Electrical

Current Rating: 5.00A collectively for VBUS pins
 6.25A collectively for GND pins
 1.25A for A5/B5 pin
 0.25A per pin for all other pins

Voltage Rating: 48V DC
 Power Rating: 240W
 Contact Resistance: 40mΩ max initial.
 50mΩ max after test
 Dielectric Withstanding Voltage: 100V AC
 Insulation Resistance 100MΩ min

Mechanical & Environmental

Operating Temperature: -25°C to +85°C
 Mating Force: 5 to 20 N.
 Unmated Force: 6 to 20 N after test
 Durability: 20,000 cycles



Section: A-A

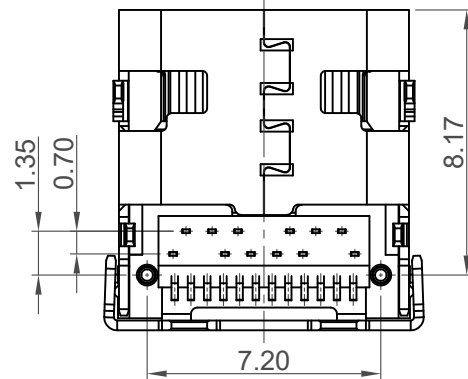
Ordering Grid

USB4056 - **XX** - **A** - **XXXX** Request Samples and Quotation

Contact Plating
 03 = 3µ" Gold (Standard)
 30 = 30µ" Gold

Shell Stake Length "S"
 Blank = 1.15mm
 0140 = 1.40mm

Packing Options
 A = Tape & Reel (1000 per reel)

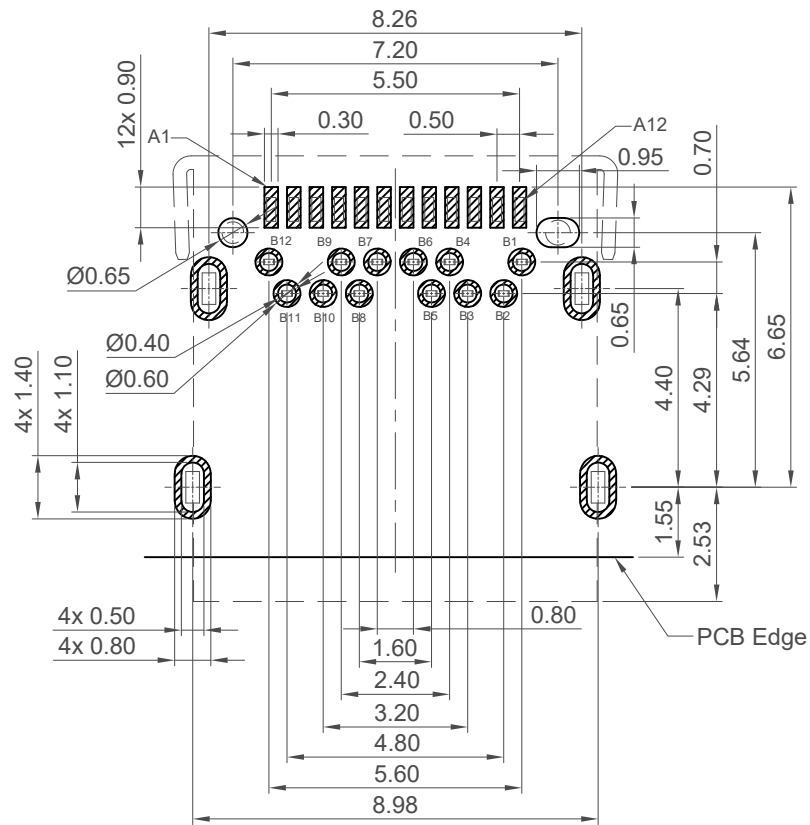


Part Number		Product Description	
USB4056		USB3.2 Gen 2 Type C Receptacle, Horizontal, Hybrid type, PCB Top Mount.	
Drawing Date		22nd April 2021	
By	KY	Tolerances (Except as Noted)	Units:
Detail	Drawing Release	Length	Metric (mm)
Revision	A4	X.X ± 0.30	
Date	25/06/24	X.XX ± 0.25	
		X.XXX ± 0.10	

This drawing is confidential and copyright of Global Connector Technology, Ltd (GCT). This drawing must not be copied or disclosed without written consent. E & OE



Not to Scale | Drawn By CC | Sheet No. 1/3



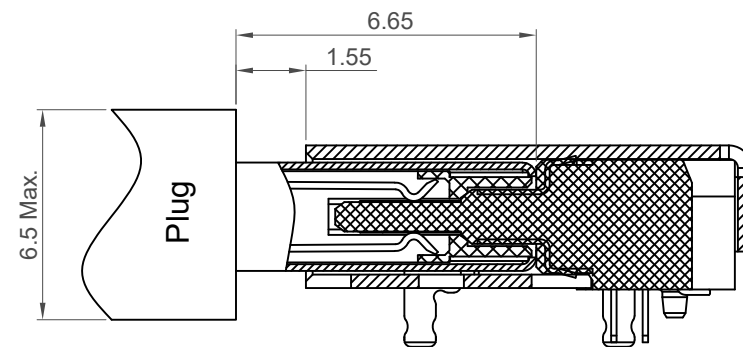
Recommended PCB Layout

Thickness 1.00 to 1.20mm

Tolerance: $\pm 0.05\text{mm}$

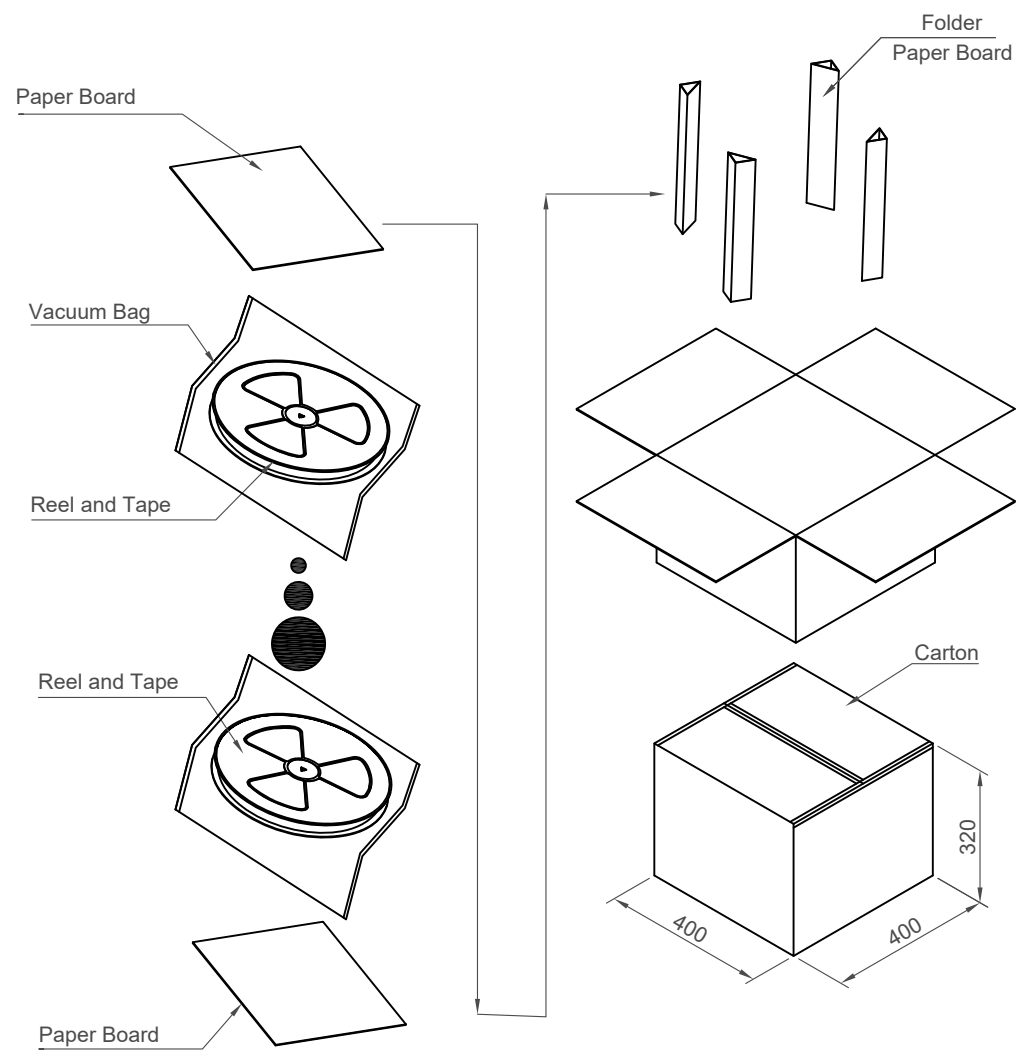
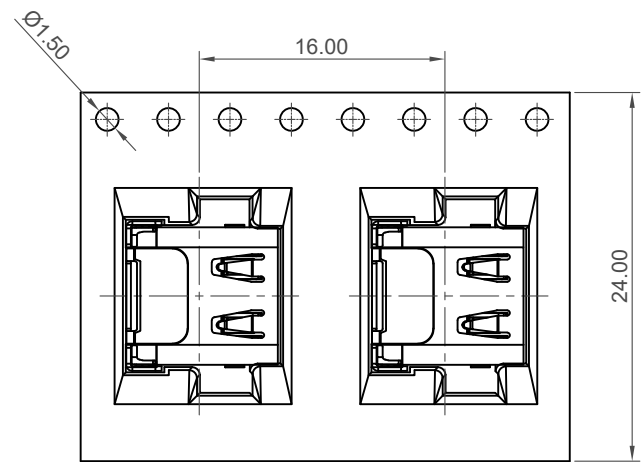
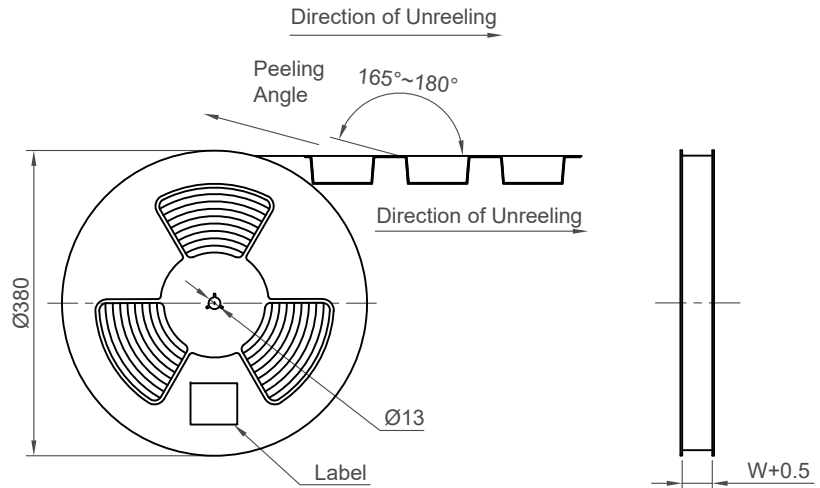
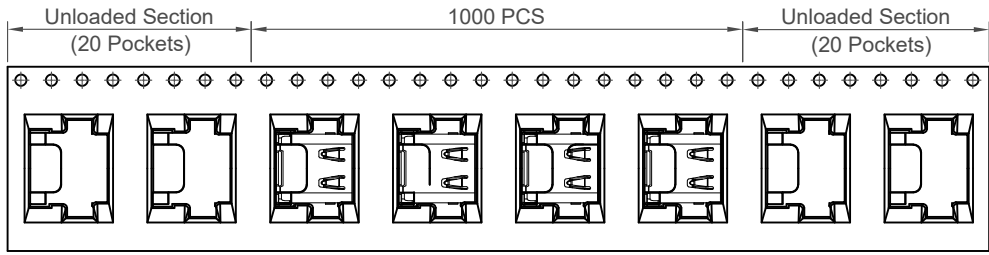
Solder Area Component Outline

Pin	Signal	Mating Sequence	Pin	Signal	Mating Sequence
A1	GND	First	B12	GND	First
A2	SSTXp1	Second	B11	SSRXp1	Second
A3	SSTXn1	Second	B10	SSRXn1	Second
A4	VBUS	First	B9	VBUS	First
A5	CC1	Second	B8	SBU2	Second
A6	Dp1	Second	B7	Dn2	Second
A7	Dn1	Second	B6	Dp2	Second
A8	SBU1	Second	B5	CC2	Second
A9	VBUS	First	B4	VBUS	First
A10	SSRXn2	Second	B3	SSTXn2	Second
A11	SSRXp2	Second	B2	SSTXp2	Second
A12	GND	First	B1	GND	First
SHELL		GND	SHELL		GND



Part Number USB4056		Product Description USB3.2 Gen 2 Type C Receptacle, Horizontal, Hybrid type, PCB Top Mount.			
Drawing Date 22nd April 2021					
By KY	Detail Drawing Release	Tolerances (Except as Noted) Length X.X \pm 0.30 X.XX \pm 0.25 X.XXX \pm 0.10	Units: Metric (mm)		This drawing is confidential and copyright of Global Connector Technology, Ltd (GCT). This drawing must not be copied or disclosed without written consent. E & OE
Revision A4	Date 25/06/24	Angle -			Not to Scale
				Drawn By CC	Sheet No. 2/3





Pcs / Reel	Reels / Carton	Total Quantity
1000	10	10,000 pcs

Part Number		Product Description	
USB4056		USB3.2 Gen 2 Type C Receptacle, Horizontal, Hybrid type, PCB Top Mount.	
Drawing Date		22nd April 2021	
By	KY	Tolerances (Except as Noted)	Units:
Detail	Drawing Release	Length	Metric (mm)
Revision	A4	X.X ± 0.30	 3rd Angle Projection
Date	25/06/24	X.XX ± 0.25	
		X.XXX ± 0.10	



This drawing is confidential and copyright of Global Connector Technology, Ltd (GCT). This drawing must not be copied or disclosed without written consent. E & OE



Not to Scale	Drawn By CC	Sheet No. 3/3
--------------	-------------	---------------