

Specifications

Material

Insulator: LCP, UL 94V-0, Black
 Contact: Copper Alloy
 Mid Plate: Stainless Steel
 EMI Plate: Stainless Steel
 Shell: Stainless Steel

Plating

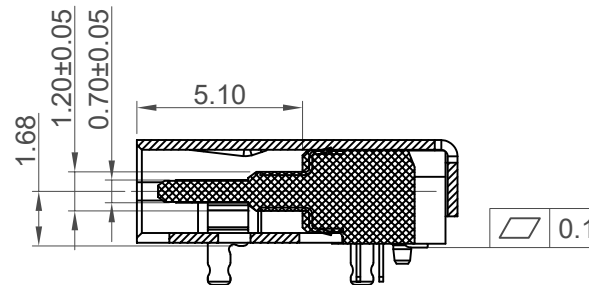
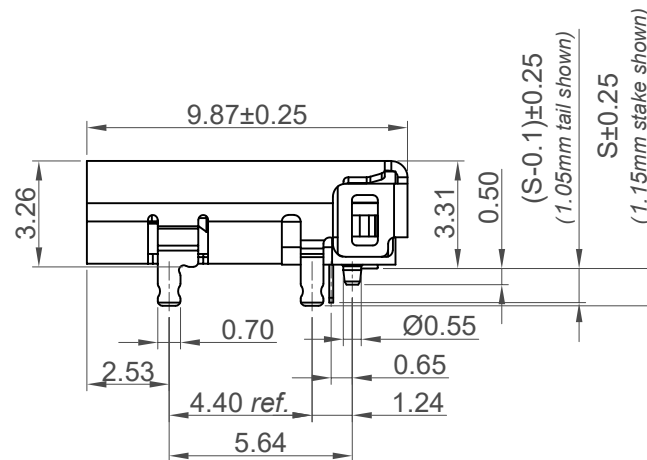
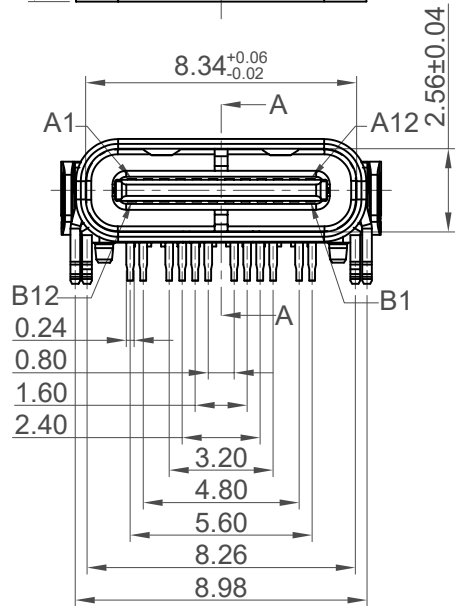
Terminal:
 Contact Area: See ordering grid
 Soldering Tails: Gold Flash over 50µ" min. Nickel
 Underplating: 50µ" min. Nickel
 Shell: Nickel
 Mid Plate: Clear
 EMI Plate: Clear

Electrical

Current Rating: 5.00A collectively for Vbus pins
 6.25A collectively for GND pins
 1.25A for A5/B5 pin
 0.25A per pin for all other pins
 Voltage Rating: 48V DC
 Power Rating: 240W
 Contact Resistance: 40mΩ max initial.
 50mΩ max after test
 Dielectric Withstanding Voltage: 100V AC
 Insulation Resistance 100MΩ min

Mechanical & Environmental

Operating Temperature: -25°C to +85°C
 Mating Force: 5 to 20 N.
 Unmated Force: 6 to 20 N after test
 Durability: 20,000 cycles



Section: A-A

Ordering Grid

USB4056 = XX = A = XXXX Request Samples and Quotation

Contact Plating
 03 = 3µ" Gold (Standard)
 30 = 30µ" Gold

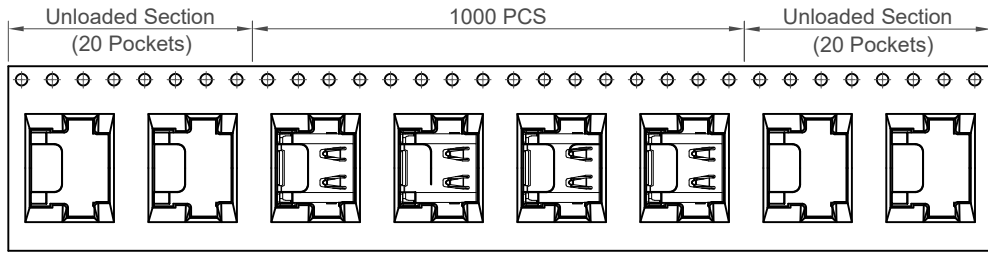
Shell Stake Length "S"
 Blank = 1.15mm
 0140 = 1.40mm

Packing Options
 A = Tape & Reel (1000 per reel)

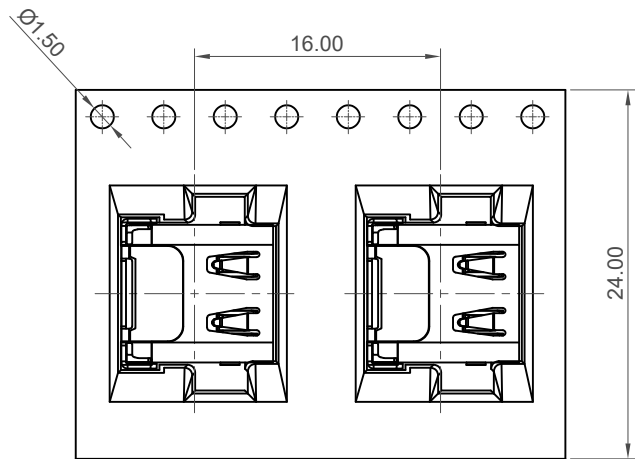
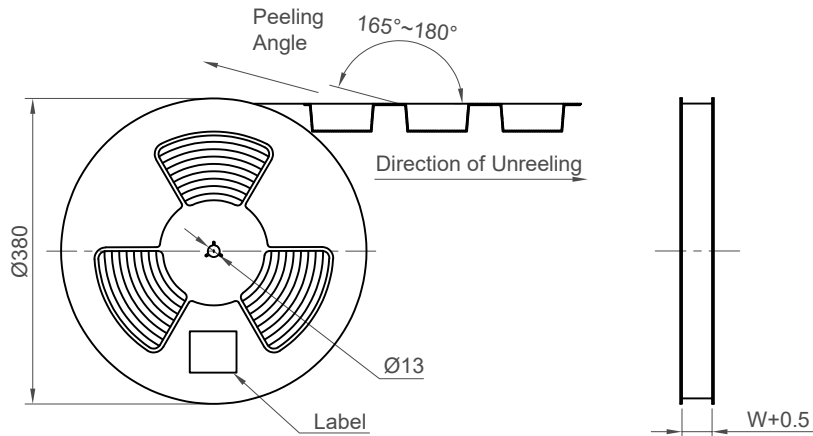
USB-IF TID NO. : 11255 & 11256
 IEC 62680-1-3 : 2022

Part Number		Product Description				This drawing is confidential and copyright of Global Connector Technology, Ltd (GCT). This drawing must not be copied or disclosed without written consent. E & OE	Not to Scale	Drawn By CC	Sheet No. 1/3
USB4056		USB3.2 Gen 2 Type C Receptacle, Horizontal, Hybrid type, PCB Top Mount.							
Drawing Date		22nd April 2021							
By	KY	Tolerances (Except as Noted)	Units:						
Detail	Drawing Release	Length	Angle	Metric (mm)					
Revision	A5	X.X ± 0.30							
Date	08/11/24	X.XX ± 0.25							
		X.XXX ± 0.10							

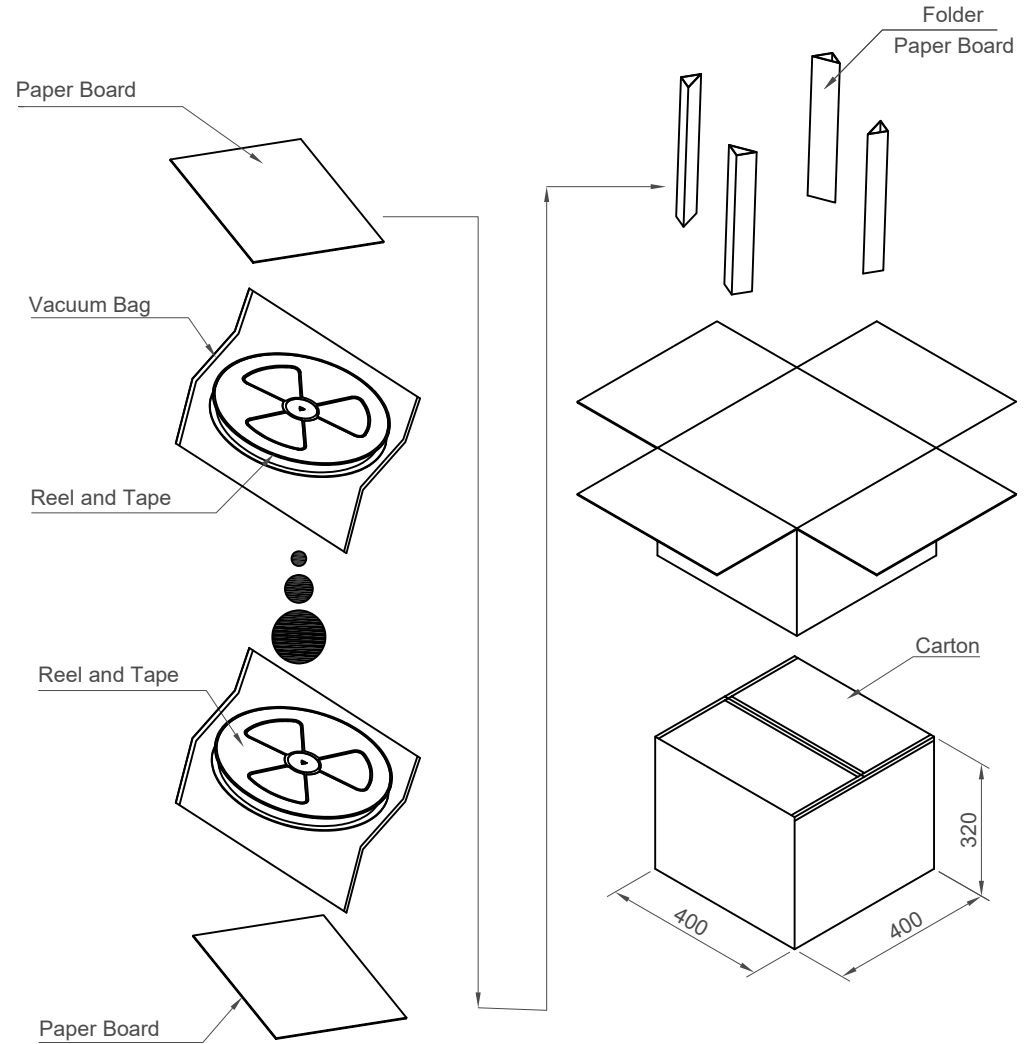




Direction of Unreeling



Direction of Unreeling



Pcs / Reel	Reels / Carton	Total Quantity
1000	10	10,000 pcs

Part Number		Product Description	
USB4056		USB3.2 Gen 2 Type C Receptacle, Horizontal, Hybrid type, PCB Top Mount.	
Drawing Date		22nd April 2021	
By	KY	Tolerances (Except as Noted)	Units:
Detail	Drawing Release	Length	Metric (mm)
Revision	A5	X.X ± 0.30	
Date	08/11/24	X.XX ± 0.25	
		X.XXX ± 0.10	

This drawing is confidential and copyright of Global Connector Technology, Ltd (GCT). This drawing must not be copied or disclosed without written consent. E & OE



Not to Scale | Drawn By CC | Sheet No. 3/3