

Pin	Signal	Mating Sequence	Pin	Signal	Mating Sequence
A1	GND	First	B12	GND	First
A2	SSTXp1	Second	B11	SSRXp1	Second
A3	SSTXn1	Second	B10	SSRXn1	Second
A4	Vbus	First	B9	Vbus	First
A5	CC1	Second	B8	SBU2	Second
A6	Dp1	Second	B7	Dn2	Second
A7	Dn1	Second	B6	Dp2	Second
A8	SBU1	Second	B5	CC2	Second
A9	Vbus	First	B4	Vbus	First
A10	SSRXn2	Second	B3	SSTXn2	Second
A11	SSRXp2	Second	B2	SSTXp2	Second
A12	GND	First	B1	GND	First
SHELL	GND		SHELL	GND	

Specifications

Material

Insulator: LCP, UL 94V-0, Black
 Contact: Copper Alloy, T=0.12mm
 Mid Plate: Stainless Steel, T=0.20mm
 EMI Plate: Stainless Steel, T=0.10mm
 Shell: Stainless Steel, T=0.30mm

Plating

Contact
 Contact Area: 3u" Au over 50µ" min. Nickel
 Solder Tails: Gold Flash over 50µ" min. Nickel
 Shell: 30µ" min. Nickel
 Mid Plate: 50µ" min Sn over 30µ" min. Nickel
 EMI Plate: Clear

Electrical

Current Rating: 5.00A collectively for Vbus pins
 6.25A collectively for GND pins
 1.25A for A5/B5 pin
 0.25A per pin for all other pins

Voltage Rating: 48V DC
 Power Rating: 240W
 Contact Resistance: 40mΩ max initial.
 50mΩ max after test
 Dielectric Withstanding Voltage: 100V AC
 Insulation Resistance 100MΩ min

Mechanical & Environmental

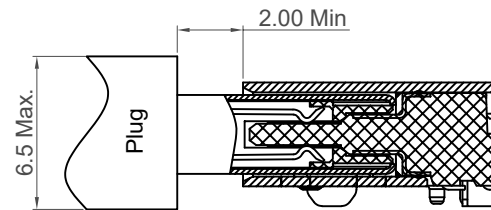
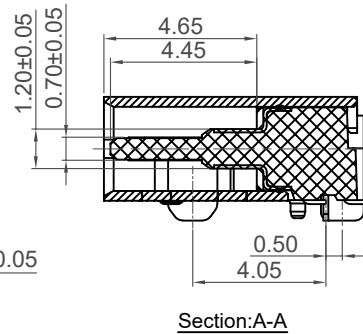
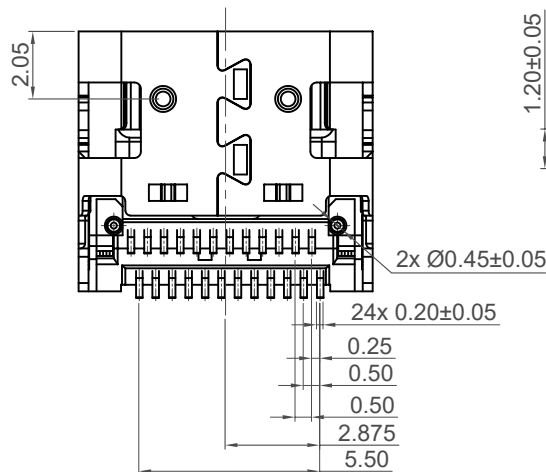
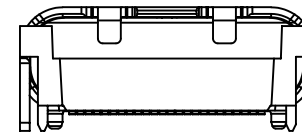
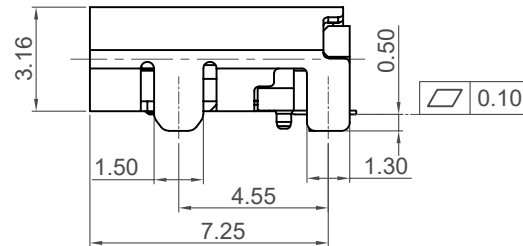
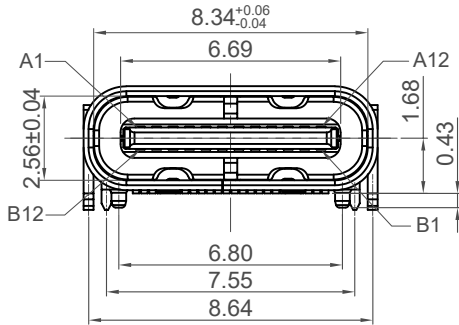
Operating Temperature: -25°C to +85°C
 Mating Force: 5 to 20 N.
 Unmated Force: 6 to 20 N after test
 Durability: 20,000 cycles

Ordering Grid

USB4080 - 03 - A Request Samples and Quotation

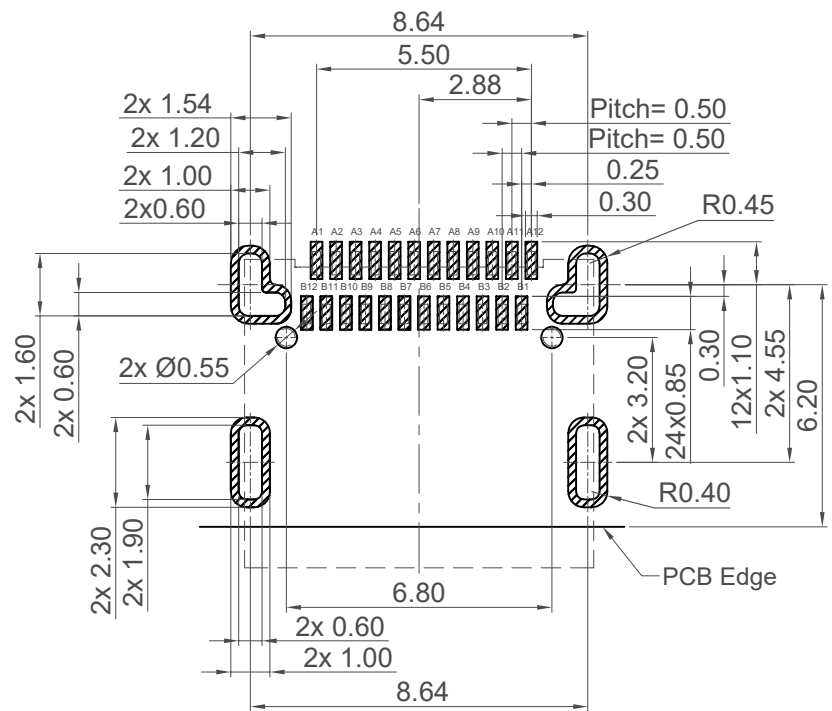
Contact Plating
 03 = 3µ" Gold

Packing Options
 A = Tape & Reel
 (900pcs/Reel)



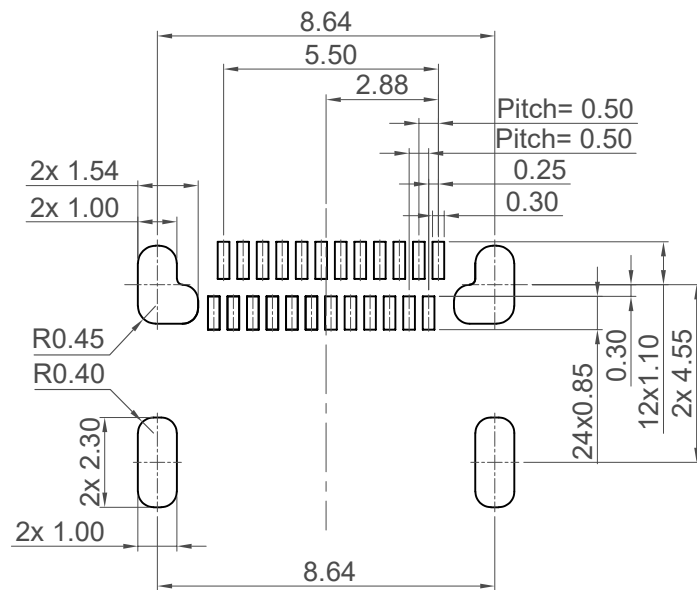
Plug and Receptacle Mating View

Part Number USB4080		Product Description USB3.2 Gen 2 Type C Receptacle, Dual Row SMT, Horizontal, PCB Top Mount		 www.gct.co
Drawing Date 7th May 2021				
By KY	Release A4	Tolerances (Except as Noted)	Units: Metric (mm)	 This drawing is confidential and copyright of Global Connector Technology, Ltd (GCT). This drawing must not be copied or disclosed without written consent. E & OE
Detail		X. ± 0.38	X ± 2°	
Revision		X.X ± 0.30	X.X ± 1°	
Date	14/10/24	X.XX ± 0.15	X.XXX ± 0.10	
Date		Date		Not to Scale Drawn By CC Sheet No. 1/3







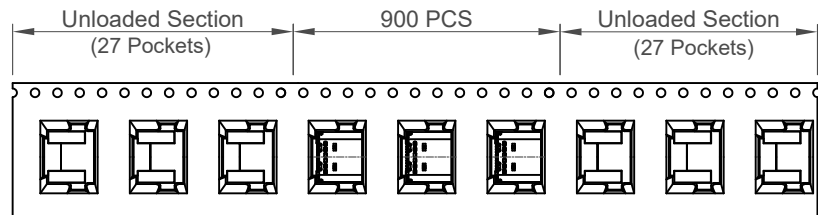
Recommended PCB Layout
As viewed from component side Tolerance:±0.05mm

▨ Solder Area □ Component Outline

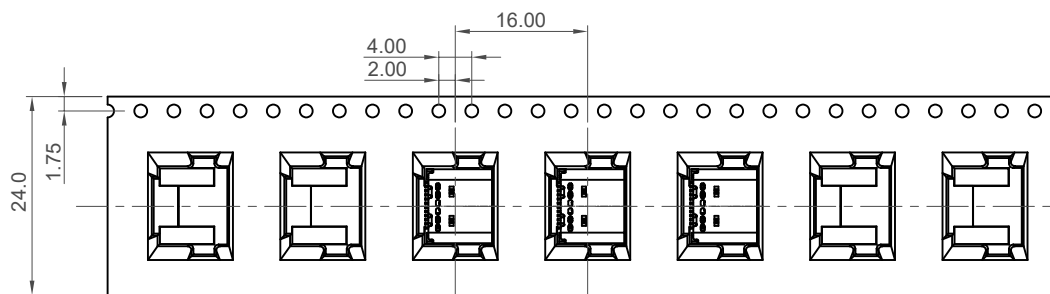
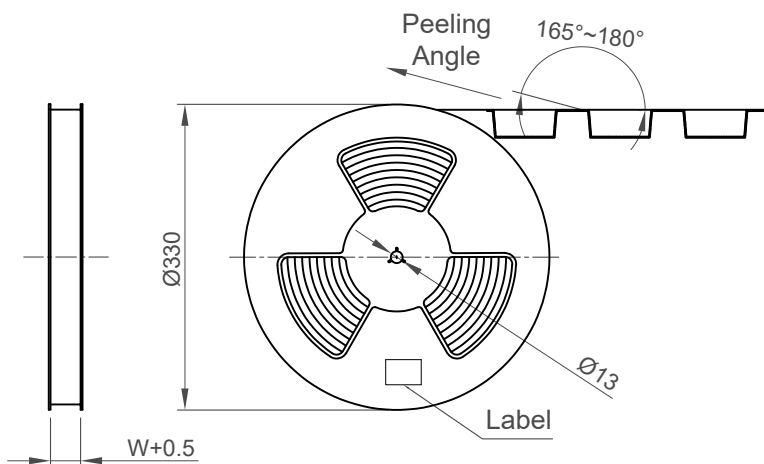


Recommended Solder mask
Thickness = 0.12mm
Tolerance:±0.05mm

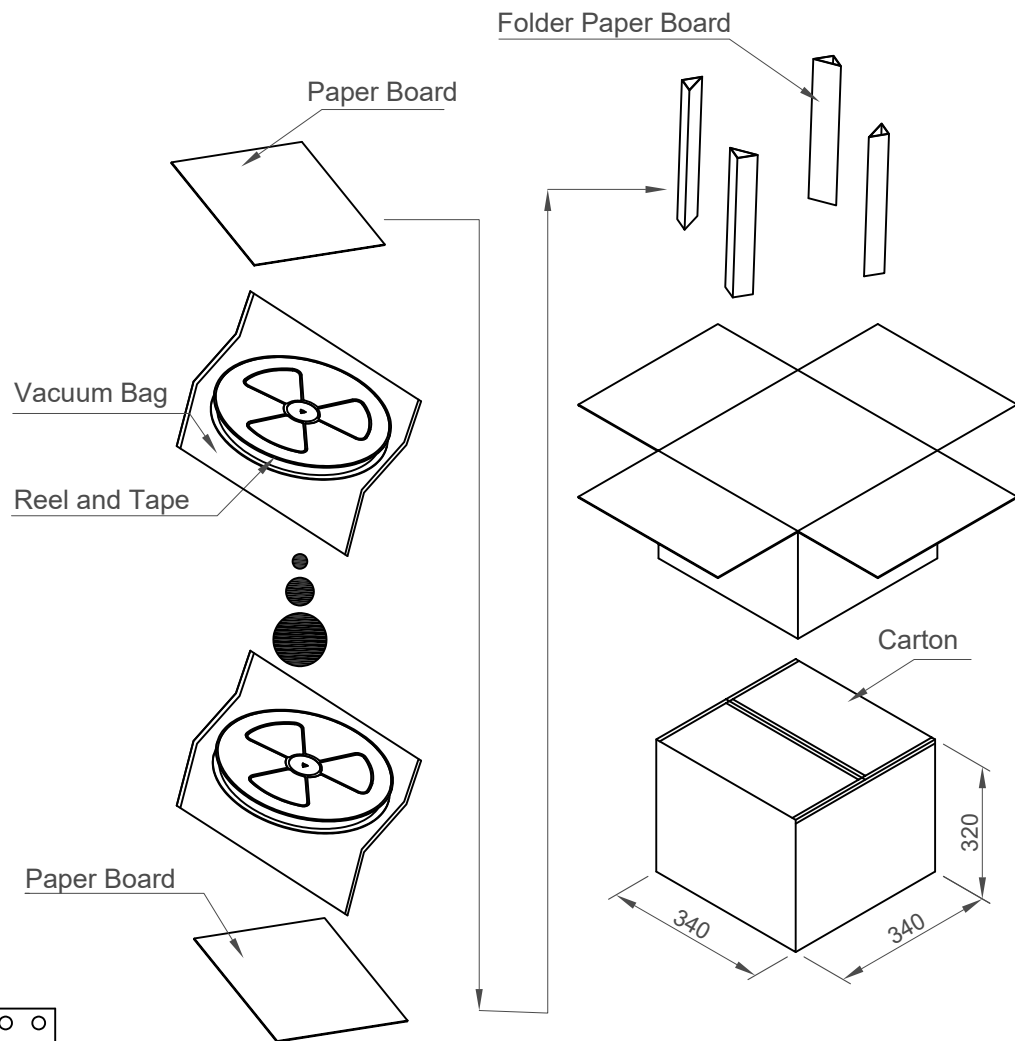
Part Number		Product Description		 www.gct.co			
USB4080		USB3.2 Gen 2 Type C Receptacle, Dual Row SMT, Horizontal, PCB Top Mount					
Drawing Date		7th May 2021					
By		KY					
Detail	Drawing Release	Tolerances (Except as Noted)	Units: Metric (mm)	  This drawing is confidential and copyright of Global Connector Technology, Ltd (GCT). This drawing must not be copied or disclosed without written consent. E & OE			
	Revision				A4		
Date	14/10/24	Length	Angle				
					<table border="1"> <tr> <td>Not to Scale</td> <td>Drawn By CC</td> <td>Sheet No. 2/3</td> </tr> </table>	Not to Scale	Drawn By CC
Not to Scale	Drawn By CC	Sheet No. 2/3					



Direction of Unreeling



Direction of Unreeling



Pcs / Reel	Reels / Carton	Total Quantity
900	10	9000 pcs

Part Number		Product Description	
USB4080		USB3.2 Gen 2 Type C Receptacle, Dual Row SMT, Horizontal, PCB Top Mount	
Drawing Date		7th May 2021	
By	KY	Tolerances (Except as Noted)	Units:
Detail	Drawing Release	Length	Metric (mm)
Revision	A4	Angle	3rd Angle Projection
Date	14/10/24		



This drawing is confidential and copyright of Global Connector Technology, Ltd (GCT). This drawing must not be copied or disclosed without written consent. E & OE



Not to Scale	Drawn By CC	Sheet No. 3/3
--------------	-------------	---------------