

Pin	Signal	Mating Sequence	Pin	Signal	Mating Sequence
A1	GND	First	B12	GND	First
A4	Vbus	First	B9	Vbus	First
A5	CC1	Second	B8	SBU2	Second
A6	Dp1	Second	B7	Dn2	Second
A7	Dn1	Second	B6	Dp2	Second
A8	SBU1	Second	B5	CC2	Second
A9	Vbus	First	B4	Vbus	First
A12	GND	First	B1	GND	First
SHELL			GND		
SHELL			GND		

**Specifications**

**Material**

Insulator: LCP, UL 94V-0, Black  
 Contact: Copper Alloy (T=0.15mm)  
 Shell: Stainless steel (T=0.30mm)  
 Inner Ground Cover Shell: Stainless Steel (T=0.10mm)  
 Mid-Plate: Stainless Steel (T=0.15mm)

**Plating**

Contact:  
 Contact Area: See Ordering Grid  
 Solder Tails: Gold Flash  
 Underplating: 50µ" min. Nickel  
 Shell: 50µ" min. Nickel  
 Inner Ground Cover Shell & Mid-Plate: Clear

**Electrical**

Current Rating: 5.00A collectively for Vbus pins  
 6.25A collectively for GND pins  
 1.25A for A5/B5 pin  
 0.25A per pin for all other pins

Voltage Rating: 48V DC

Power Rating: 240W

Contact Resistance: 40mΩ max initial.

50mΩ max after test

Dielectric Withstanding Voltage: 100V AC

Insulation Resistance 100MΩ min

**Mechanical & Environmental**

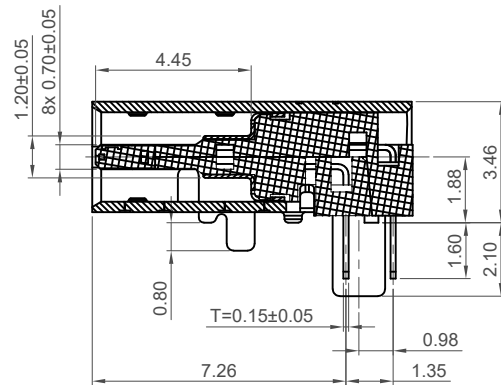
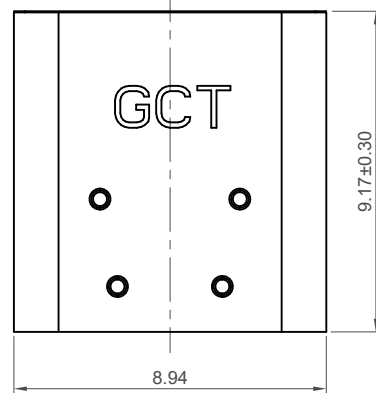
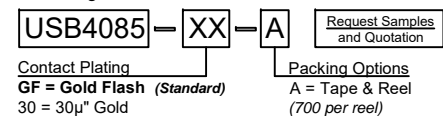
Operating Temperature: -40°C to 85°C

Mating Force: 5 to 20 N.

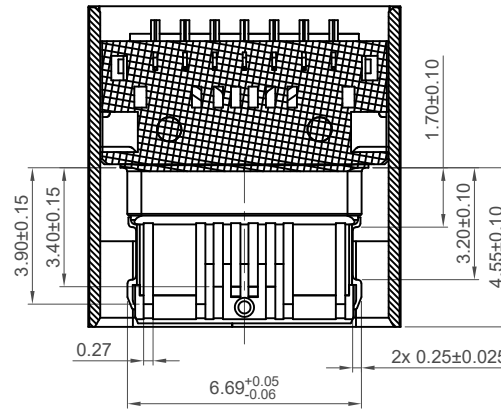
Unmated Force: 6 to 20 N after test

Durability: 20,000 cycles

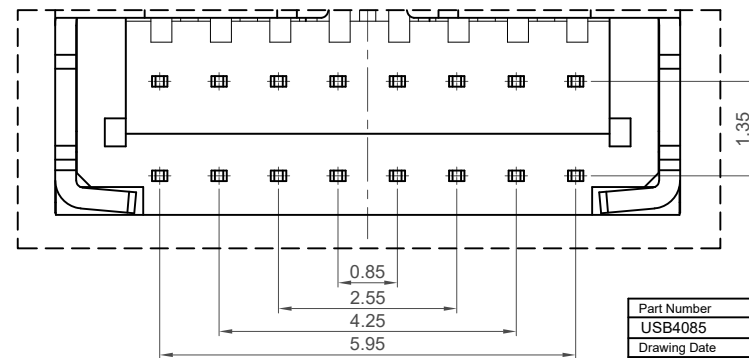
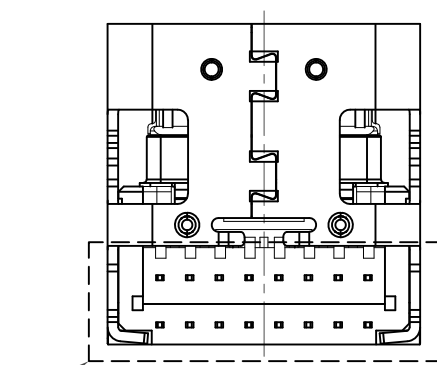
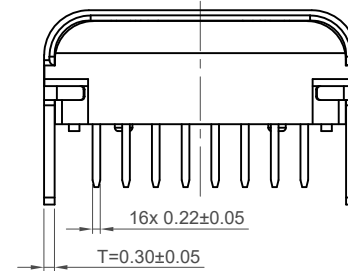
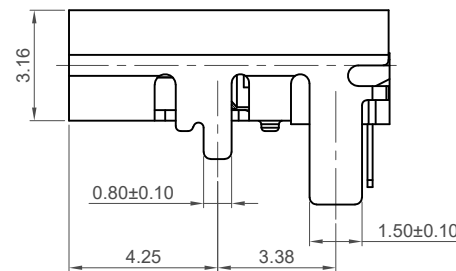
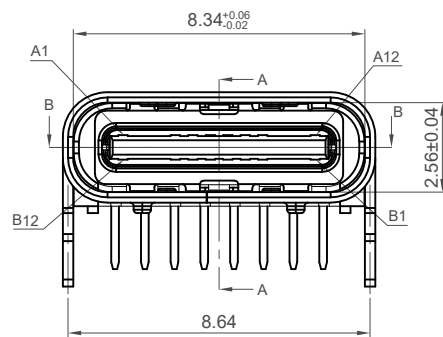
**Ordering Grid**



**Section A-A**

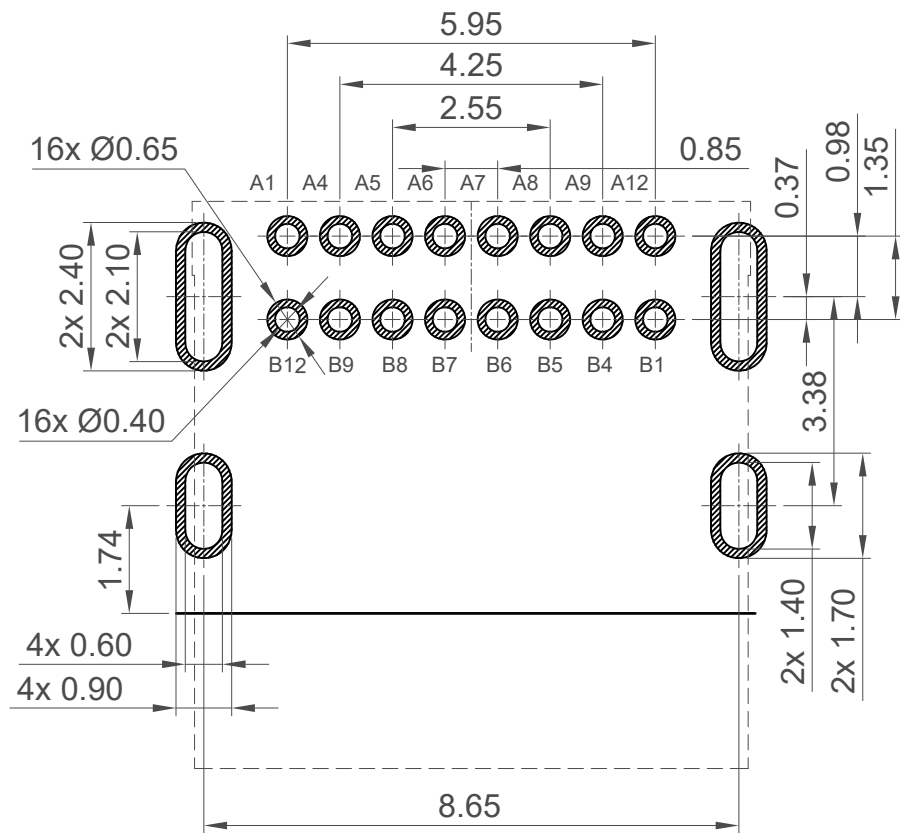


**Section B-B**



**Detail C**  
Scale 2:1

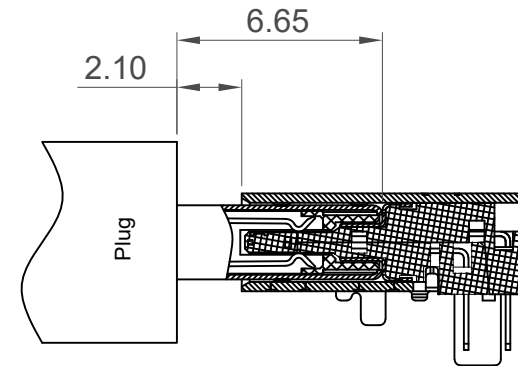
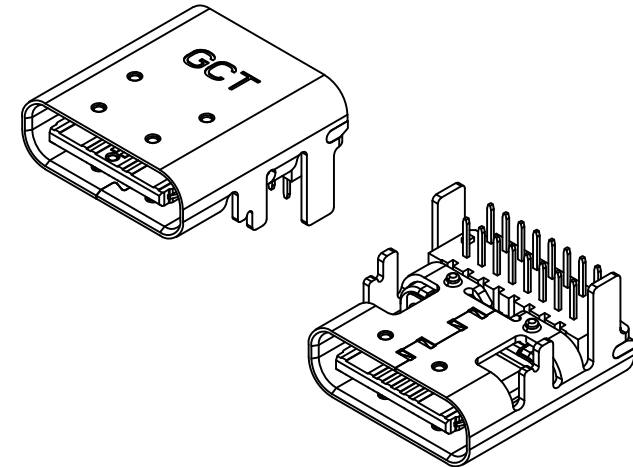
Part Number		Product Description			This drawing is confidential and copyright of Global Connector Technology, Ltd (GCT). This drawing must not be copied or disclosed without written consent. E & OE	 www.gct.co																							
USB4085		USB 2.0 Type C Receptacle																											
Drawing Date		Dip Type, PCB Top Mount																											
9th April 2018					<table border="1"> <tr> <td>By</td> <td>CC</td> <td>Tolerances (Except as Noted)</td> <td>Units:</td> </tr> <tr> <td>Detail</td> <td>USB4085</td> <td>Length</td> <td>Metric (mm)</td> </tr> <tr> <td>Revision</td> <td>B PCN</td> <td>X. ± 0.50</td> <td></td> </tr> <tr> <td>Date</td> <td>28/02/23</td> <td>X.X ± 0.30</td> <td></td> </tr> <tr> <td></td> <td></td> <td>X.XX ± 0.20</td> <td>± 2°</td> </tr> <tr> <td></td> <td></td> <td>X.XXX ± 0.10</td> <td></td> </tr> </table>	By	CC	Tolerances (Except as Noted)	Units:	Detail	USB4085	Length	Metric (mm)	Revision	B PCN	X. ± 0.50		Date	28/02/23	X.X ± 0.30				X.XX ± 0.20	± 2°			X.XXX ± 0.10	
By	CC	Tolerances (Except as Noted)	Units:																										
Detail	USB4085	Length	Metric (mm)																										
Revision	B PCN	X. ± 0.50																											
Date	28/02/23	X.X ± 0.30																											
		X.XX ± 0.20	± 2°																										
		X.XXX ± 0.10																											
				<table border="1"> <tr> <td>Request Samples and Quotation</td> </tr> <tr> <td>Packing Options</td> </tr> <tr> <td>A = Tape &amp; Reel (700 per reel)</td> </tr> </table>	Request Samples and Quotation	Packing Options	A = Tape & Reel (700 per reel)																						
Request Samples and Quotation																													
Packing Options																													
A = Tape & Reel (700 per reel)																													
				<table border="1"> <tr> <td>Not to Scale</td> <td>Drawn By</td> <td>Sheet No.</td> </tr> <tr> <td></td> <td>CC</td> <td>1/3</td> </tr> </table>	Not to Scale	Drawn By	Sheet No.		CC	1/3																			
Not to Scale	Drawn By	Sheet No.																											
	CC	1/3																											



### Recommended PCB Layout

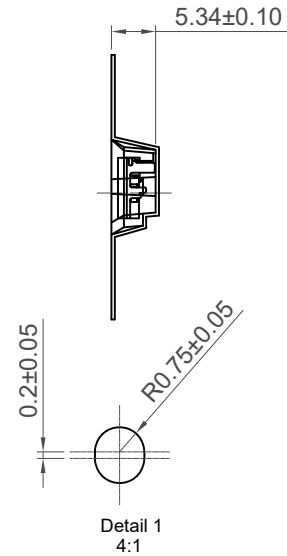
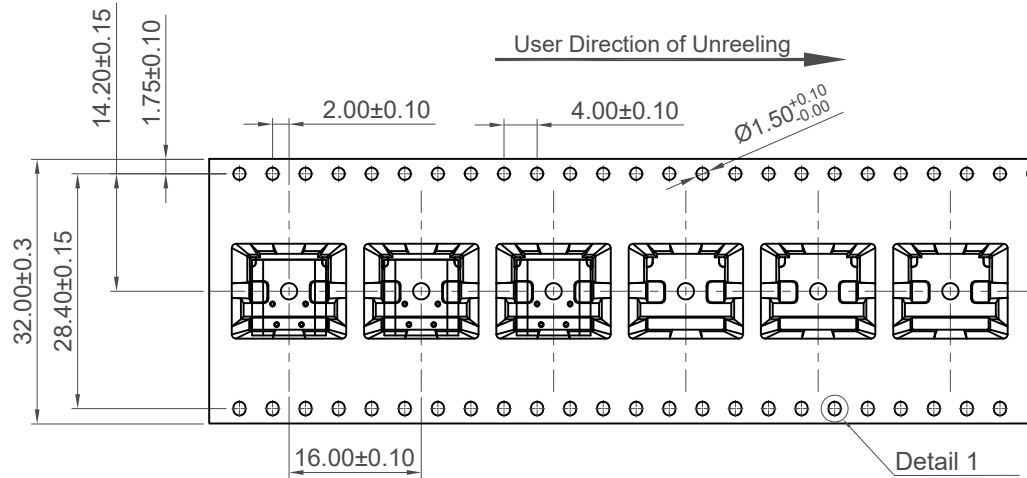
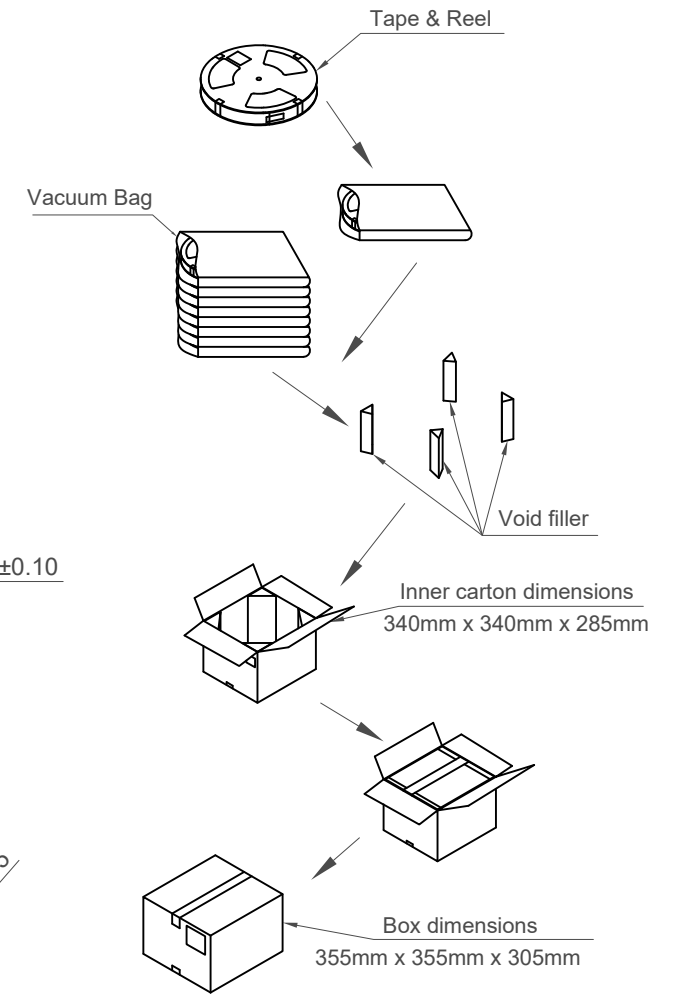
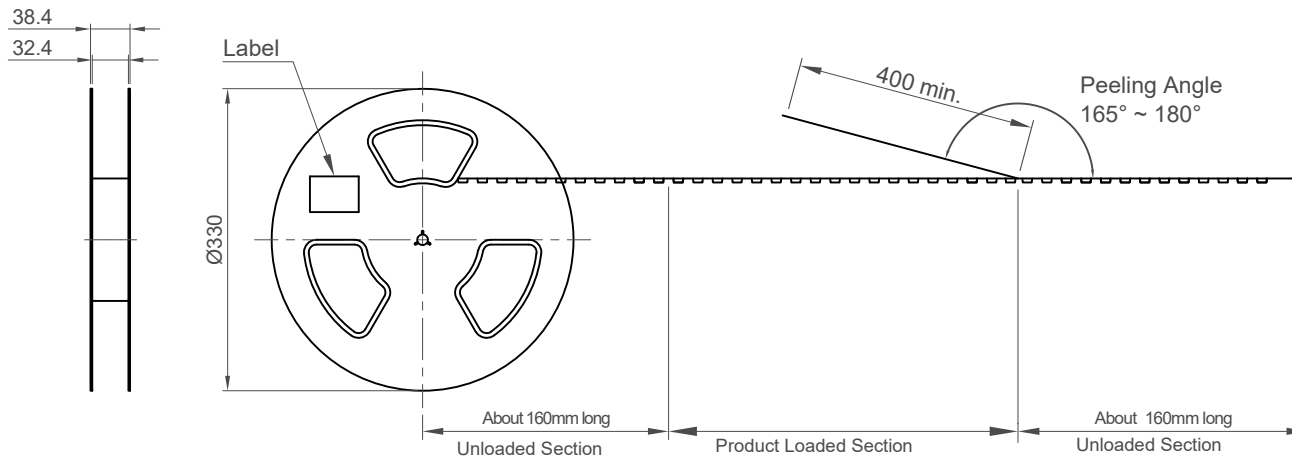
As viewed from component side Tolerance:  $\pm 0.05\text{mm}$

Solder Area Component Outline



Plug and Receptacle Mating View



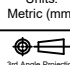

Part Number		Product Description			www.gct.co
USB4085		USB 2.0 Type C Receptacle			
Drawing Date		Dip Type, PCB Top Mount			
9th April 2018					
By	CC	Tolerances (Except as Noted)	Units:		© This drawing is confidential and copyright of Global Connector Technology, Ltd (GCT). This drawing must not be copied or disclosed without written consent. E & OE
Detail	USB4085 B PCN	Length	Metric (mm)		
Revision	B	Angle	$\pm 2^\circ$		
Date	28/02/23				
		X. ± 0.50			
		X.X ± 0.30			
		X.XX ± 0.20			
		X.XXX ± 0.10			
Not to Scale	Drawn By	CC	Sheet No.	2/3	



**Notes:**  
 Peeling off force of top tape: 0.1-1.3N (Peeling direction as shown)

**Materials:**  
 Carrier Tape: Polystyrene (PS)  
 Top Tape: PE  
 Reel Tape: Polystyrene (PS)  
 Bag: PE

Pcs / Reel	Reels / Carton	Total Quality
700	7	4,900 pcs

Part Number USB4085		Product Description USB 2.0 Type C Receptacle Dip Type, PCB Top Mount		 <a href="http://www.gct.co">www.gct.co</a>			
Drawing Date 9th April 2018							
By CC	Detail USB4085 B PCN	Tolerances (Except as Noted) Length X. ± 0.50 X.X ± 0.30 X.XX ± 0.20 X.XXX ± 0.10	Units: Metric (mm)				
Revision Date	B 28/02/23	± 2°		 This drawing is confidential and copyright of Global Connector Technology, Ltd (GCT). This drawing must not be copied or disclosed without written consent. E & OE			
				<table border="1"> <tr> <td>Not to Scale</td> <td>Drawn By CC</td> <td>Sheet No. 3/3</td> </tr> </table>	Not to Scale	Drawn By CC	Sheet No. 3/3
Not to Scale	Drawn By CC	Sheet No. 3/3					