

Pin	Signal	Mating Sequence	Pin	Signal	Mating Sequence
A1	GND	First	B12	GND	First
A4	Vbus	First	B9	Vbus	First
A5	CC1	Second	B8	SBU2	Second
A6	Dp1	Second	B7	Dn2	Second
A7	Dn1	Second	B6	Dp2	Second
A8	SBU1	Second	B5	CC2	Second
A9	Vbus	First	B4	Vbus	First
A12	GND	First	B1	GND	First
SHELL		GND	SHELL		GND

Recommended PCB Layout
As viewed from component side Tolerance: ±0.05mm

Specifications

Material

Insulator: High Temp. Plastic UL 94V-0, Black
 Contact: Copper Alloy
 Shell: Stainless steel
 Mid Plate: Stainless Steel

Plating

Contact: Gold Flash over 50µ" min. Nickel
 Solder Tails: Gold Flash over 50µ" min. Nickel
 Shell: 50µ" min. Nickel

Electrical

Current Rating: 5.00A collectively for Vbus pins
 6.25A collectively for GND pins
 1.25A for A5/B5 pin
 0.25A per pin for all other pins

Voltage Rating: 48V DC

Power Rating: 240W

Contact Resistance: 40mΩ max initial.
 50mΩ max after test

Dielectric Withstanding Voltage: 100V AC, 1 minute

Insulation Resistance: 100MΩ min

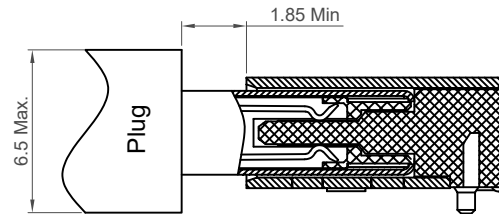
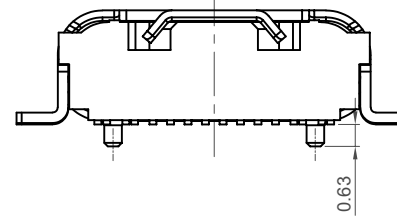
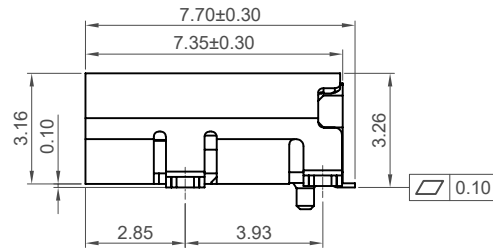
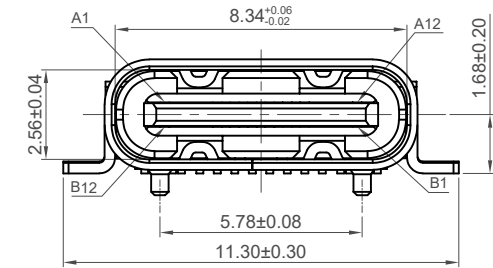
Mechanical & Environmental

Operating Temperature: -40°C to +85°C

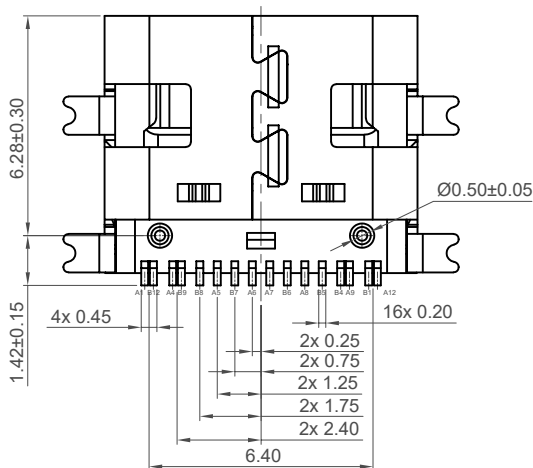
Mating Force: 5 to 20 N.

Unmated Force: 6 to 20 N after test

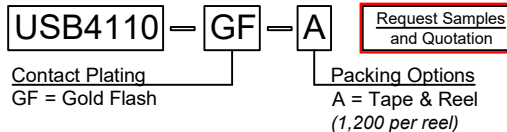
Durability: 20,000 cycles



Plug and Receptacle Mating View



Ordering Grid



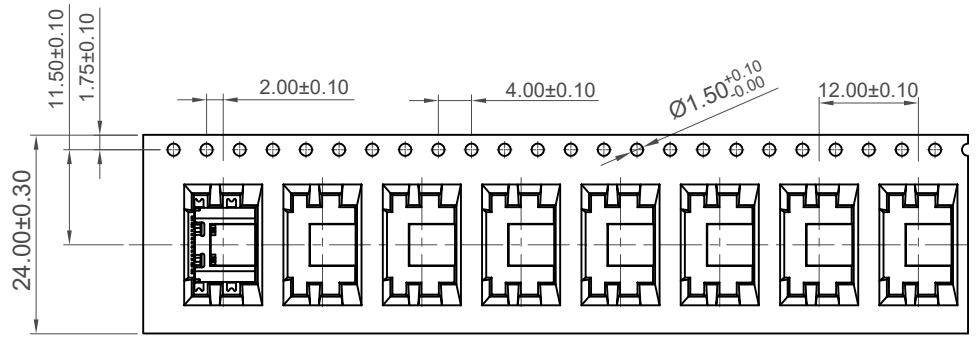
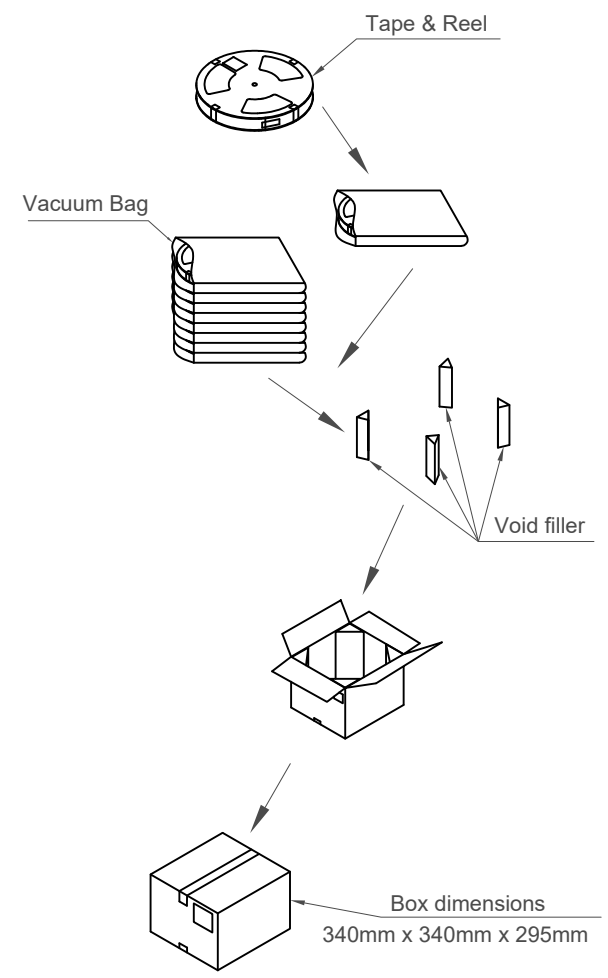
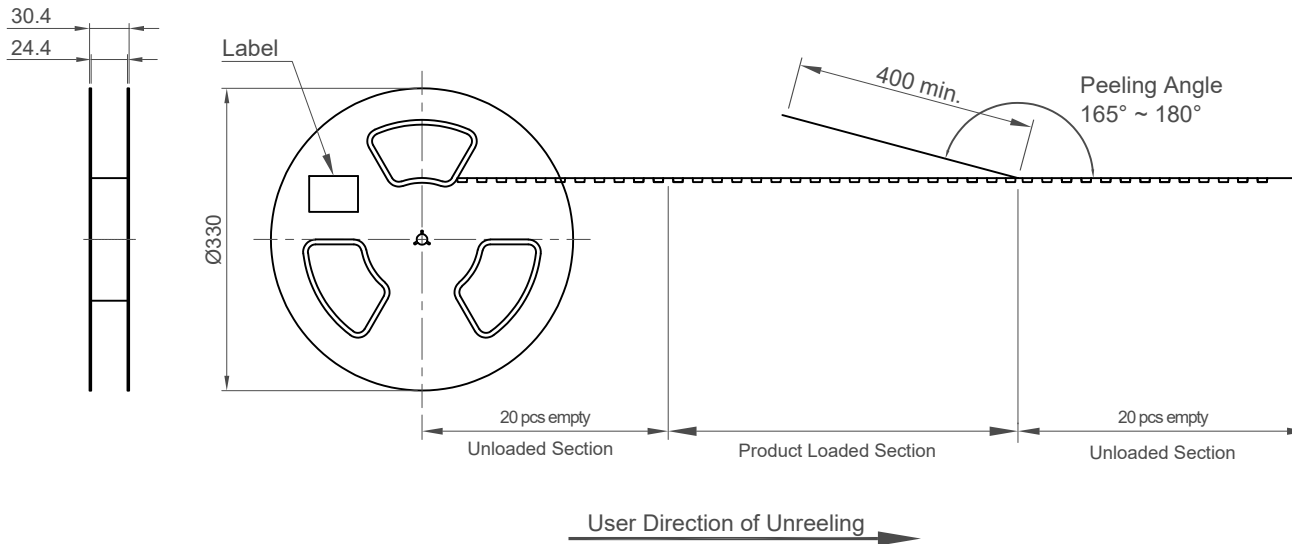
Part Number		Product Description		
USB4110		USB Type C Receptacle for USB 2.0		
Drawing Date		SMT Type, PCB Top Mount		
10th July 2019				
By	CC	Tolerances (Except as Noted)	Units:	
Detail	USB4110	Length	Metric (mm)	
Revision	B PCN	X. ± 0.50		
Date	22/05/24	B PCN		
		X.XX ± 0.30		
		X.XXX ± 0.20		
		X.XXX ± 0.10		



This drawing is confidential and copyright of Global Connector Technology, Ltd (GCT). This drawing must not be copied or disclosed without written consent. E & OE






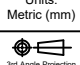
Not to Scale	Drawn By CC	Sheet No. 1/2
--------------	-------------	---------------



Notes:
 Peeling off force of top tape: 0.1-1.3N (Peeling direction as shown)

Materials:
 Carrier Tape: Polystyrene (PS)
 Top Tape: PE
 Reel Tape: Polystyrene (PS)
 Bag: PE

Pcs / Reel	Reels / Carton	Total Quality
1200	9	10800 pcs

Part Number		Product Description		 www.gct.co
USB4110		USB Type C Receptacle for USB 2.0		
Drawing Date		SMT Type, PCB Top Mount		
10th July 2019				
By	CC	Tolerances (Except as Noted)	Units:	  This drawing is confidential and copyright of Global Connector Technology, Ltd (GCT). This drawing must not be copied or disclosed without written consent. E & OE
Detail	USB4110 B PCN	Length	Metric (mm)	
Revision	B4	Angle	± 2°	
Date	22/05/24	X. ± 0.50 X.X ± 0.30 X.XX ± 0.20 X.XXX ± 0.10		
Not to Scale	Drawn By	Sheet No.		
	CC	2/2		