

Pin	Signal	Mating Sequence	Pin	Signal	Mating Sequence
A1	GND	First	B12	GND	First
A4	Vbus	First	B9	Vbus	First
A5	CC1	Second	B8	SBU2	Second
A6	Dp1	Second	B7	Dn2	Second
A7	Dn1	Second	B6	Dp2	Second
A8	SBU1	Second	B5	CC2	Second
A9	Vbus	First	B4	Vbus	First
A12	GND	First	B1	GND	First
SHELL		GND	SHELL		GND

Recommended PCB Layout
As viewed from component side Tolerance: ±0.05mm

Solder Area
 Component Outline

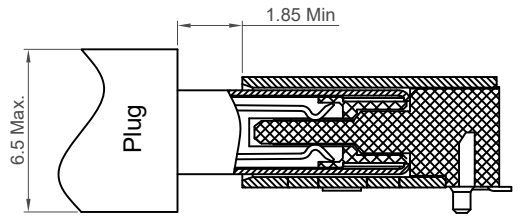
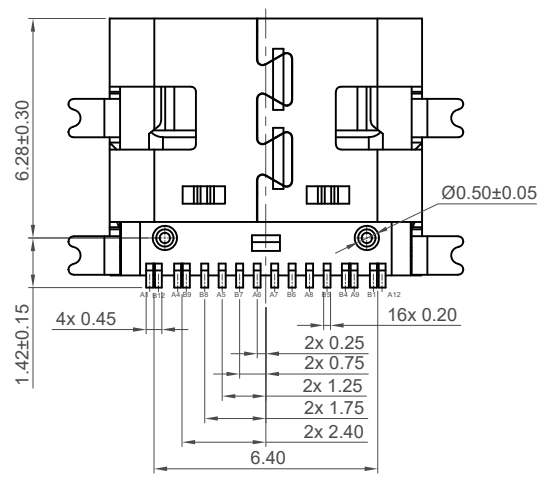
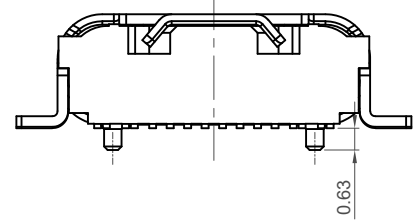
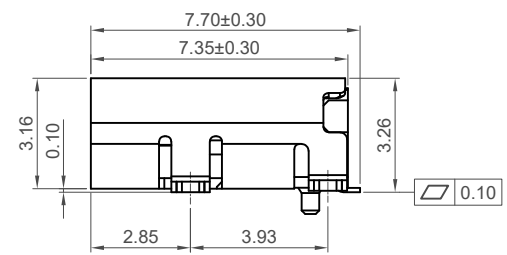
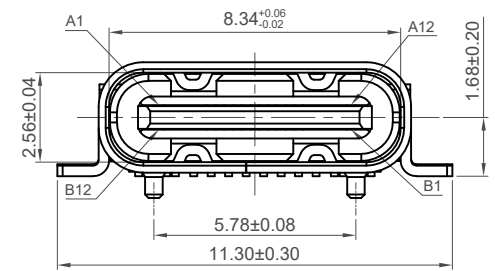
Specifications

Material
 Insulator: High Temp. Plastic UL 94V-0, Black
 Contact: Copper Alloy
 Shell: Stainless steel
 Mid Plate: Stainless Steel

Plating
 Contact: Gold Flash over 50µ" min. Nickel
 Solder Tails: Gold Flash over 50µ" min. Nickel
 Shell: 50µ" min. Nickel

Electrical
 Current Rating: 5.00A collectively for Vbus pins
 6.25A collectively for GND pins
 1.25A for B5 pin
 0.25A per pin for all other pins
 Voltage Rating: 20V DC
 Contact Resistance: 40mΩ max initial.
 50mΩ max after test
 Dielectric Withstanding Voltage: 100V AC, 1 minute
 Insulation Resistance: 100MΩ min

Mechanical & Environmental
 Operating Temperature: -40°C to +85°C
 Mating Force: 5 to 20 N.
 Unmated Force: 6 to 20 N after test
 Durability: 10,000 cycles



Plug and Receptacle Mating View

Ordering Grid

USB4110 - **GF** - **A** **Request Samples and Quotation**

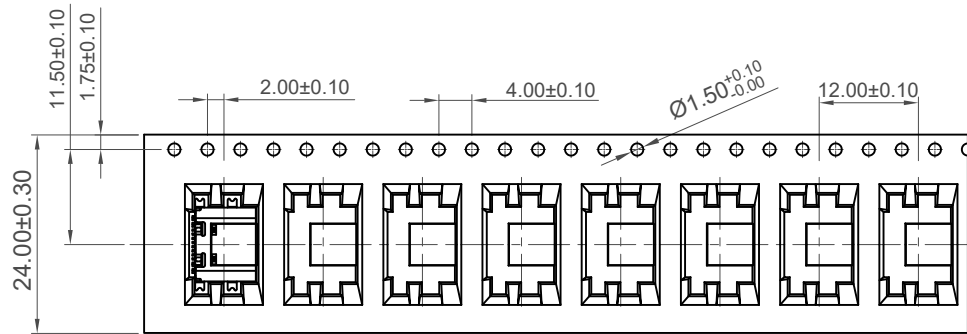
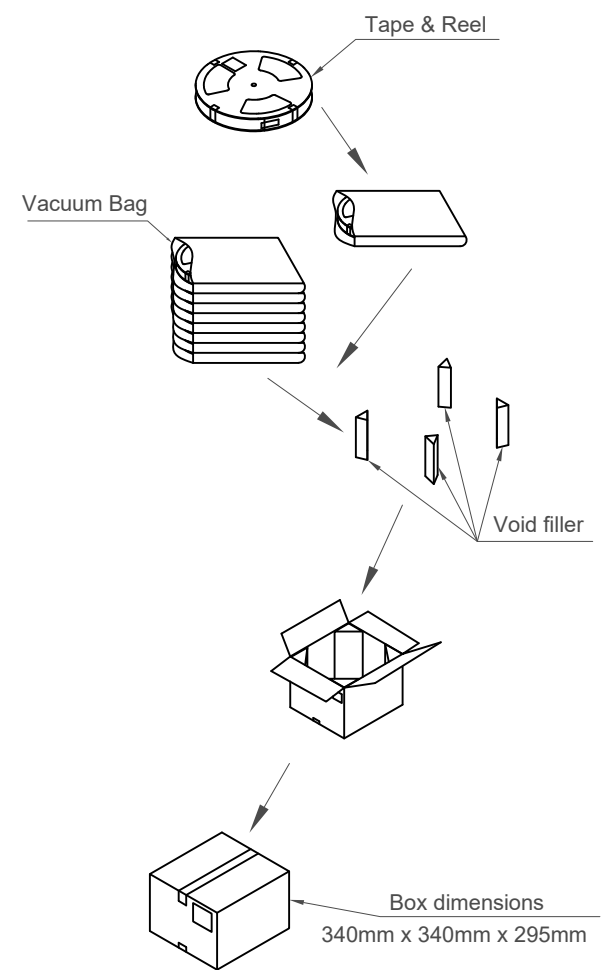
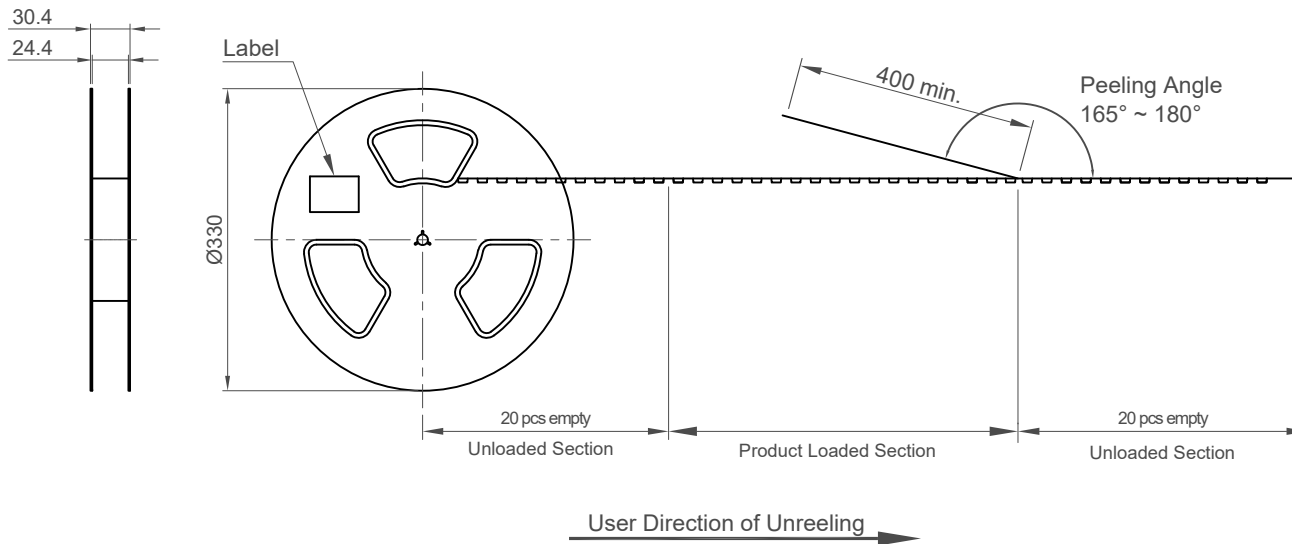
Contact Plating
 GF = Gold Flash

Packing Options
 A = Tape & Reel (1,200 per reel)

Part Number USB4110		Product Description USB Type C Receptacle for USB 2.0 SMT Type, PCB Top Mount			
Drawing Date 10th July 2019					
By	CC	Tolerances (Except as Noted)	Units:		
Detail	USB4110	Length	Metric (mm)		
Revision	B2	B PCN	Angle		
Date	27/12/21	X. ± 0.50 X.X ± 0.30 X.XX ± 0.20 X.XXX ± 0.10	± 2°		








Not to Scale	Drawn By CC	Sheet No. 1/2
--------------	----------------	------------------



Notes:
 Peeling off force of top tape: 0.1-1.3N (Peeling direction as shown)

Materials:
 Carrier Tape: Polystyrene (PS)
 Top Tape: PE
 Reel Tape: Polystyrene (PS)
 Bag: PE

Pcs / Reel	Reels / Carton	Total Quality
1200	9	10800 pcs

Part Number USB4110		Product Description USB Type C Receptacle for USB 2.0		 www.gct.co
Drawing Date 10th July 2019		SMT Type, PCB Top Mount		
By CC	Tolerances (Except as Noted) Length X. ± 0.50 X.X ± 0.30 X.XX ± 0.20 X.XXX ± 0.10	Units: Metric (mm)	Angle ± 2°	
Detail USB4110 B PCN			 This drawing is confidential and copyright of Global Connector Technology, Ltd (GCT). This drawing must not be copied or disclosed without written consent. E & OE	Not to Scale
Revision B2	Date 27/12/21			Drawn By CC
Date 27/12/21				Sheet No. 2/2