

Section: A-A

Specifications

Material

Insulator: LCP, UL 94V-0, Black
 Contact: Copper Alloy
 Mid Plate: Stainless Steel
 EMI Plate: Stainless Steel
 Shell: Stainless Steel

Plating

Contact
 Contact Area: See ordering grid
 Solder Tails: Matte Tin over 50µ" min. Nickel
 Shell: 30µ" min. Nickel
 Mid Plate: Clear
 EMI Plate: Clear

Electrical

Current Rating: 5.00A collectively for Vbus pins
 6.25A collectively for GND pins
 1.25A for A5/B5 pin
 0.25A per pin for all other pins
 Voltage Rating: 48V DC
 Power Rating: 240W
 Contact Resistance: 40mΩ max initial.
 50mΩ max after test
 Dielectric Withstanding Voltage: 100V AC
 Insulation Resistance 100MΩ min

Mechanical & Environmental

Operating Temperature: -25°C to +85°C
 Mating Force: 5 to 20 N.
 Unmated Force: 6 to 20 N after test
 Durability: 20,000 cycles

Ordering Grid

USB4115 - XX - C Request Samples and Quotation

Contact Plating
03 = 3µ" Gold(Standard)
 30 = 30µ" Gold

Packing Options
 C = Tape & Reel with Cap
 (450 per reel)

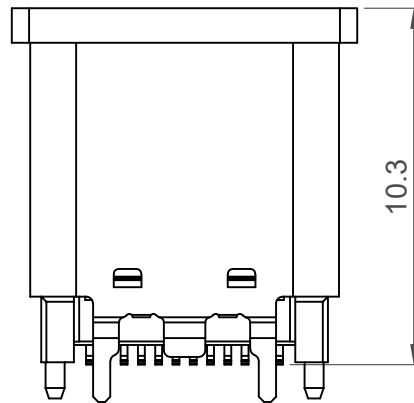
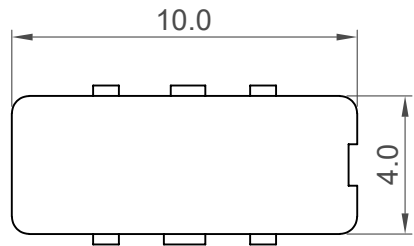
Part Number		Product Description	
USB4115		USB3.2 Gen2 Type C Receptacle, Vertical,	
Drawing Date		SMT, H=9.30mm	
28th September 2020			
By	KY	Tolerances (Except as Noted)	Units:
Detail	USB4115	Length	Metric (mm)
Revision	B PCN	X.X ± 0.30	
Date	B6	X.XX ± 0.25	
	08/10/24	X.XXX ± 0.10	



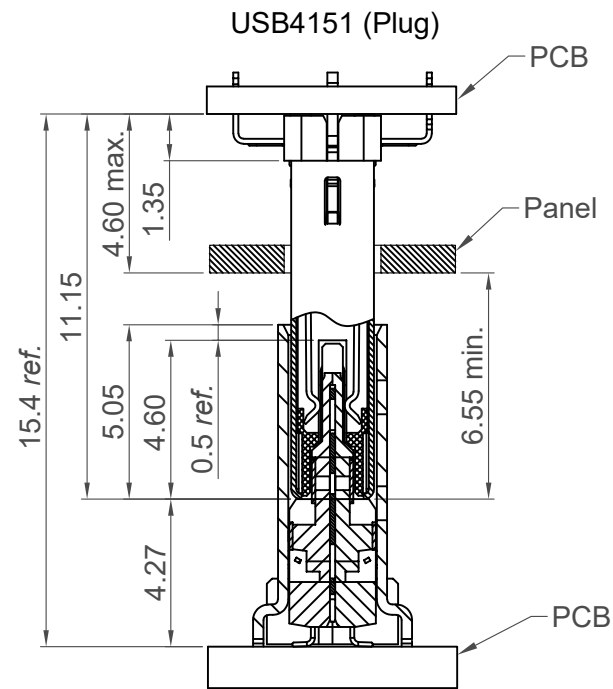
This drawing is confidential and copyright of Global Connector Technology, Ltd (GCT). This drawing must not be copied or disclosed without written consent. E & OE



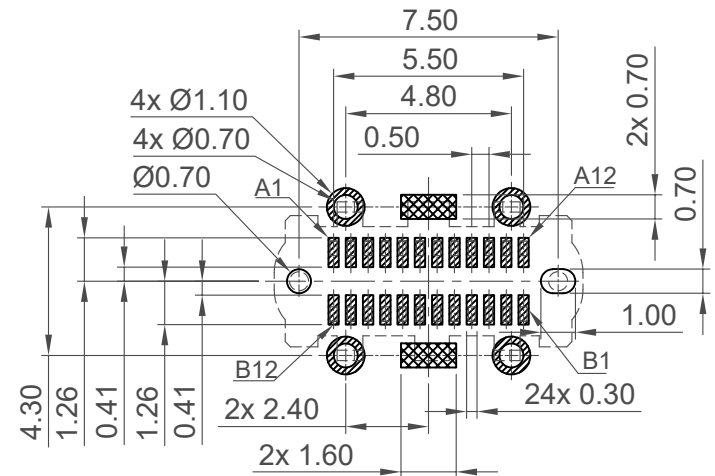
Not to Scale
 Drawn By CC
 Sheet No. 1/3



Cap Information



USB4115 (Receptacle)
Plug and Receptacle Mating View



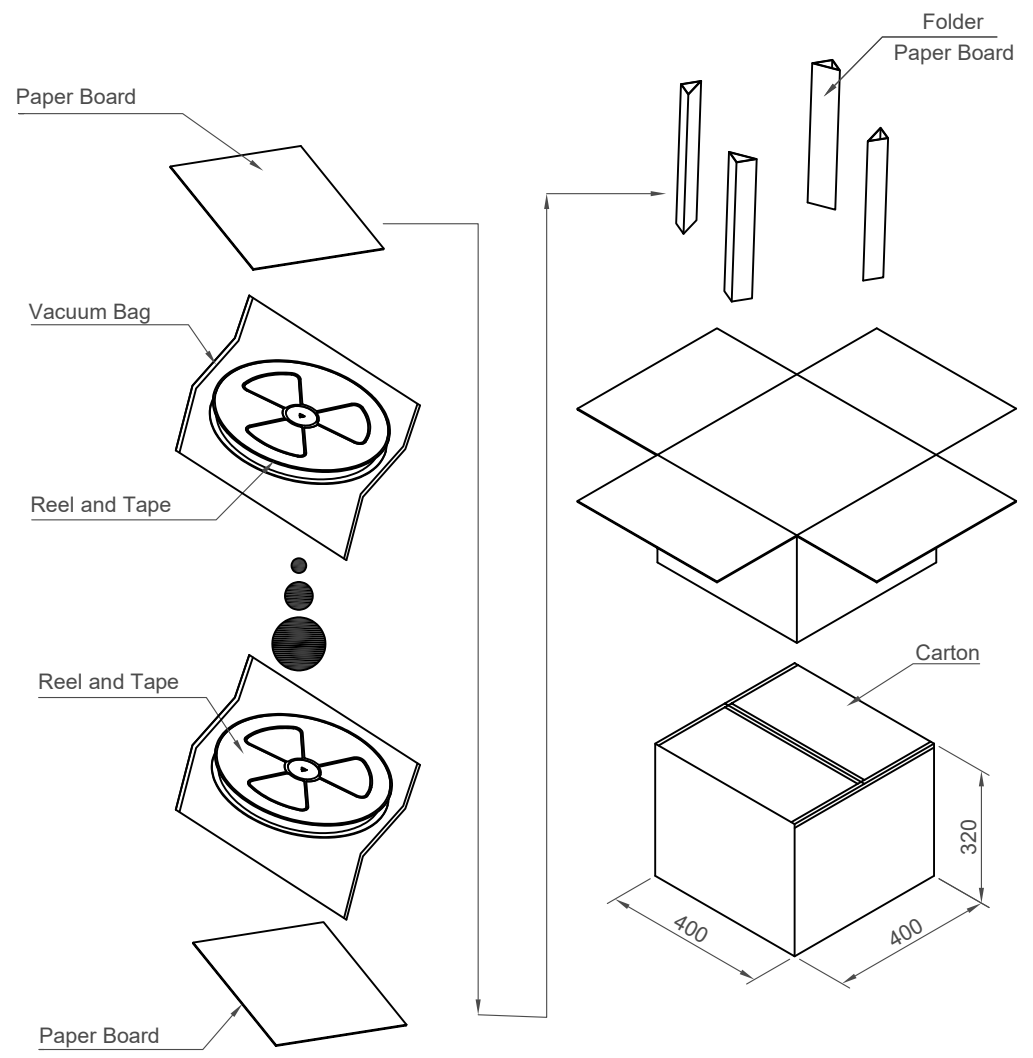
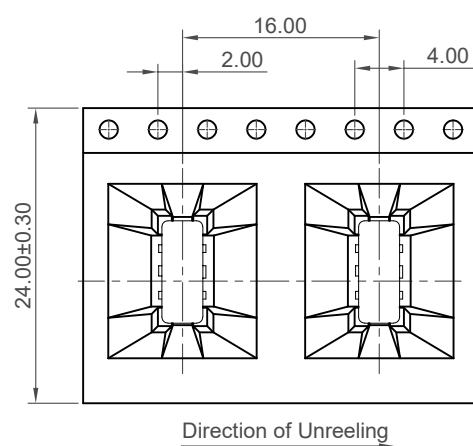
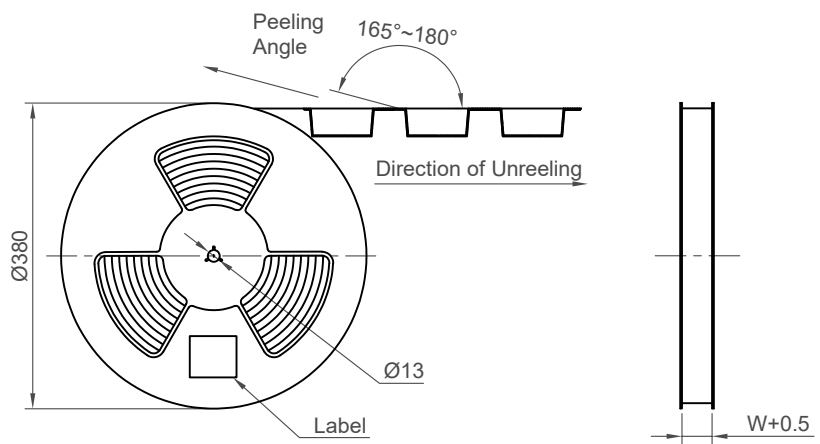
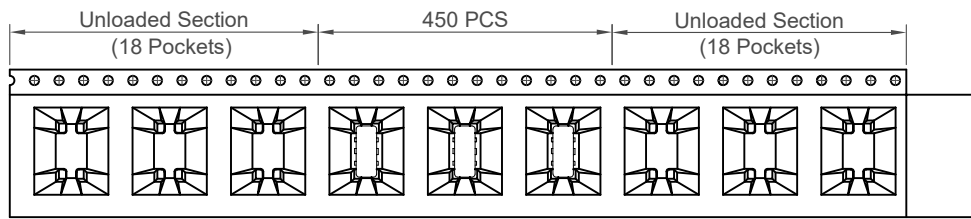
Recommended PCB Layout
Thickness 1.20±0.10mm
Tolerance: ±0.05mm

▨ Solder Area ▩ Keep Out Area □ Component Outline

Pin	Signal	Mating Sequence	Pin	Signal	Mating Sequence
A1	GND	First	B12	GND	First
A2	SSTXp1	Second	B11	SSRXp1	Second
A3	SSTXn1	Second	B10	SSRXn1	Second
A4	Vbus	First	B9	Vbus	First
A5	CC1	Second	B8	SBU2	Second
A6	Dp1	Second	B7	Dn2	Second
A7	Dn1	Second	B6	Dp2	Second
A8	SBU1	Second	B5	CC2	Second
A9	Vbus	First	B4	Vbus	First
A10	SSRXn2	Second	B3	SSTXn2	Second
A11	SSRXp2	Second	B2	SSTXp2	Second
A12	GND	First	B1	GND	First
SHELL		GND	SHELL		GND

Part Number		Product Description			
USB4115		USB3.2 Gen2 Type C Receptacle, Vertical, SMT, H=9.30mm			
Drawing Date		28th September 2020			
By	KY	Tolerances (Except as Noted)	Units:	 This drawing is confidential and copyright of Global Connector Technology, Ltd (GCT). This drawing must not be copied or disclosed without written consent. E & OE	
Detail	USB4115 B PCN	Length	Metric (mm)		
Revision	B6	Angle			
Date	08/10/24	X.X ± 0.30 X.XX ± 0.25 X.XXX ± 0.10			
Not to Scale		Drawn By	CC	Sheet No. 2/3	





Pcs / Reel	Reels / Carton	Total Quantity
450	10	4,500 pcs

Part Number		Product Description	
USB4115		USB3.2 Gen2 Type C Receptacle, Vertical, SMT, H=9.30mm	
Drawing Date		28th September 2020	
By	KY	Tolerances (Except as Noted)	Units:
Detail	USB4115 B PCN	Length X.X ± 0.30	Metric (mm)
Revision	B6	Angle X.XX ± 0.25	
Date	08/10/24	X.XXX ± 0.10	



This drawing is confidential and copyright of Global Connector Technology, Ltd (GCT). This drawing must not be copied or disclosed without written consent. E & OE



Not to Scale	Drawn By CC	Sheet No. 3/3
--------------	----------------	------------------