

**Specifications**

**Material**

Insulator: LCP, UL 94V-0, Black  
 Contact: Copper Alloy  
 Mid Plate: Stainless Steel  
 Shell: Stainless Steel

**Plating**

Contact  
 Contact Area: 3u" Au over 50µ" min. Nickel  
 Solder Tails: Gold Flash over 50µ" min. Nickel  
 Shell: 30µ" min. Nickel  
 Mid Plate: Clear

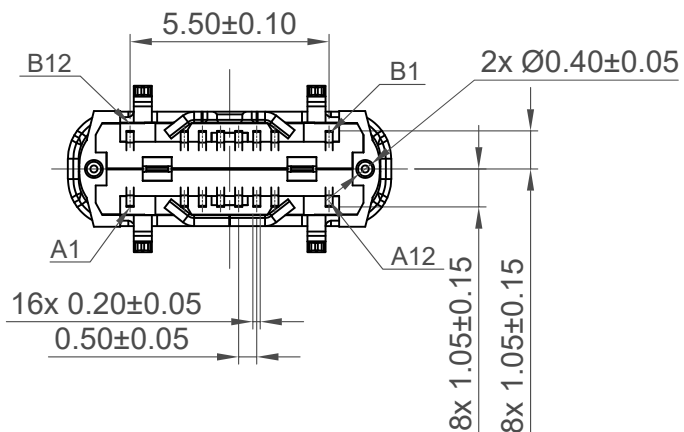
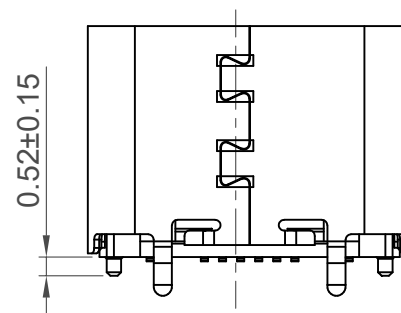
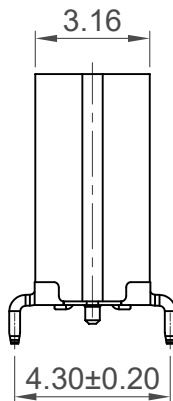
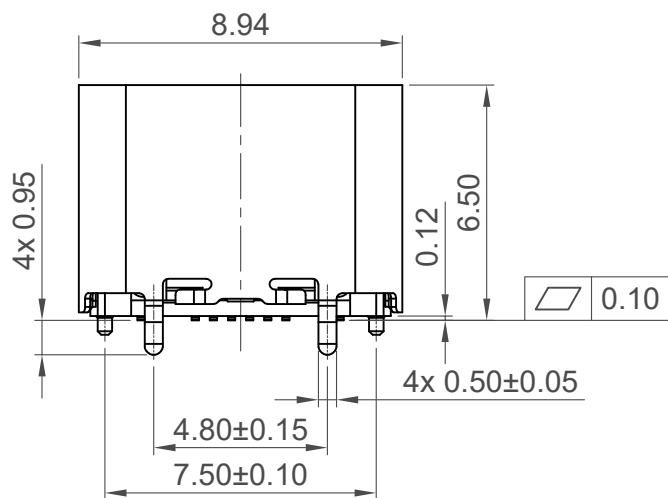
**Electrical**

Current Rating: 5.00A collectively for Vbus pins  
 6.25A collectively for GND pins  
 1.25A for A5/B5 pin  
 0.25A per pin for all other pins

Voltage Rating: 48V DC  
 Power Rating: 240W  
 Contact Resistance: 40mΩ max initial.  
 50mΩ max after test  
 Dielectric Withstanding Voltage: 100V AC  
 Insulation Resistance 100MΩ min

**Mechanical & Environmental**

Operating Temperature: -25°C to +85°C  
 Mating Force: 5 to 20 N.  
 Unmated Force: 6 to 20 N after test  
 Durability: 20,000 cycles



**Ordering Grid**

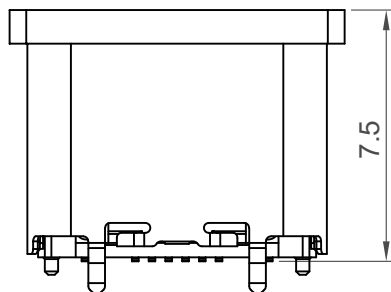
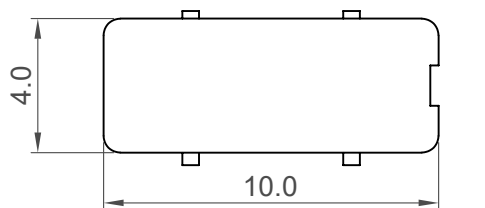
**USB4120** - **03** - **C** Request Samples and Quotation

Contact Plating  
 03 = 3u" Gold

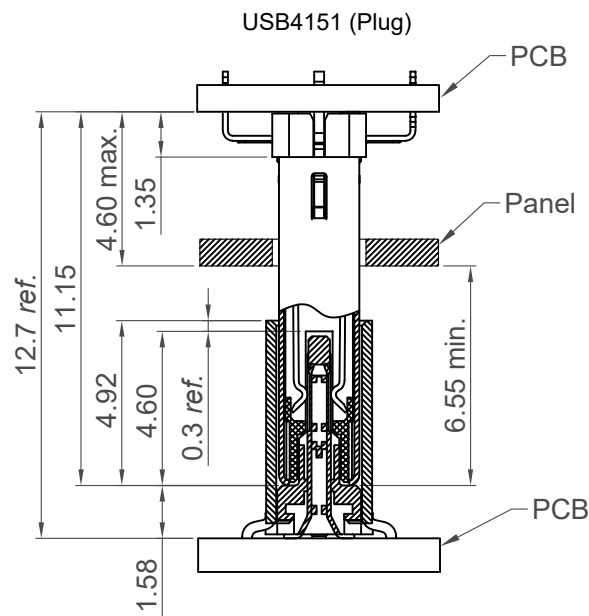
Packing Options  
 C = Tape & Reel with Cap  
 (600 per reel)

**USB-IF TID NO. : 11253**  
**IEC 62680-1-3: 2022**

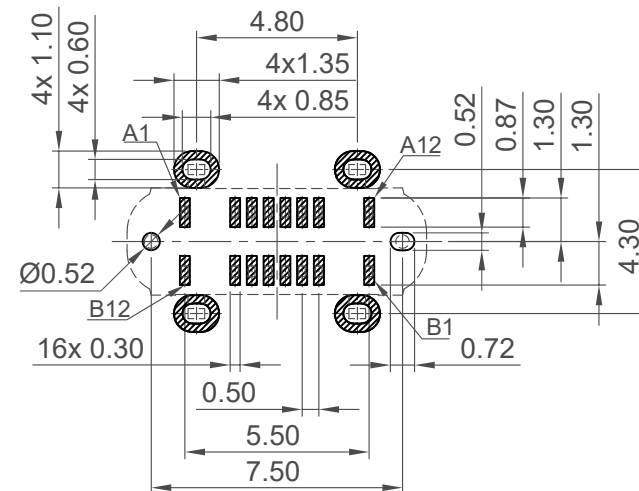
Part Number		Product Description			www.gct.co	
USB4120		USB 2.0 Type C Receptacle, 16contacts, Vertical, SMT, H=6.5mm				
Drawing Date		28th September 2020				
By	CC	Tolerances (Except as Noted)	Units:			
Detail	Drawing Release	Length X.X ± 0.30	Angle X.XX ± 0.25			This drawing is confidential and copyright of Global Connector Technology, Ltd (GCT). This drawing must not be copied or disclosed without written consent. E & OE
Revision	A6	X.XXX ± 0.25	-			
Date	29/10/24	X.XXX ± 0.10				
				Not to Scale	Drawn By CC	



Cap Information



USB4120 (Receptacle)  
Plug and Receptacle Mating View



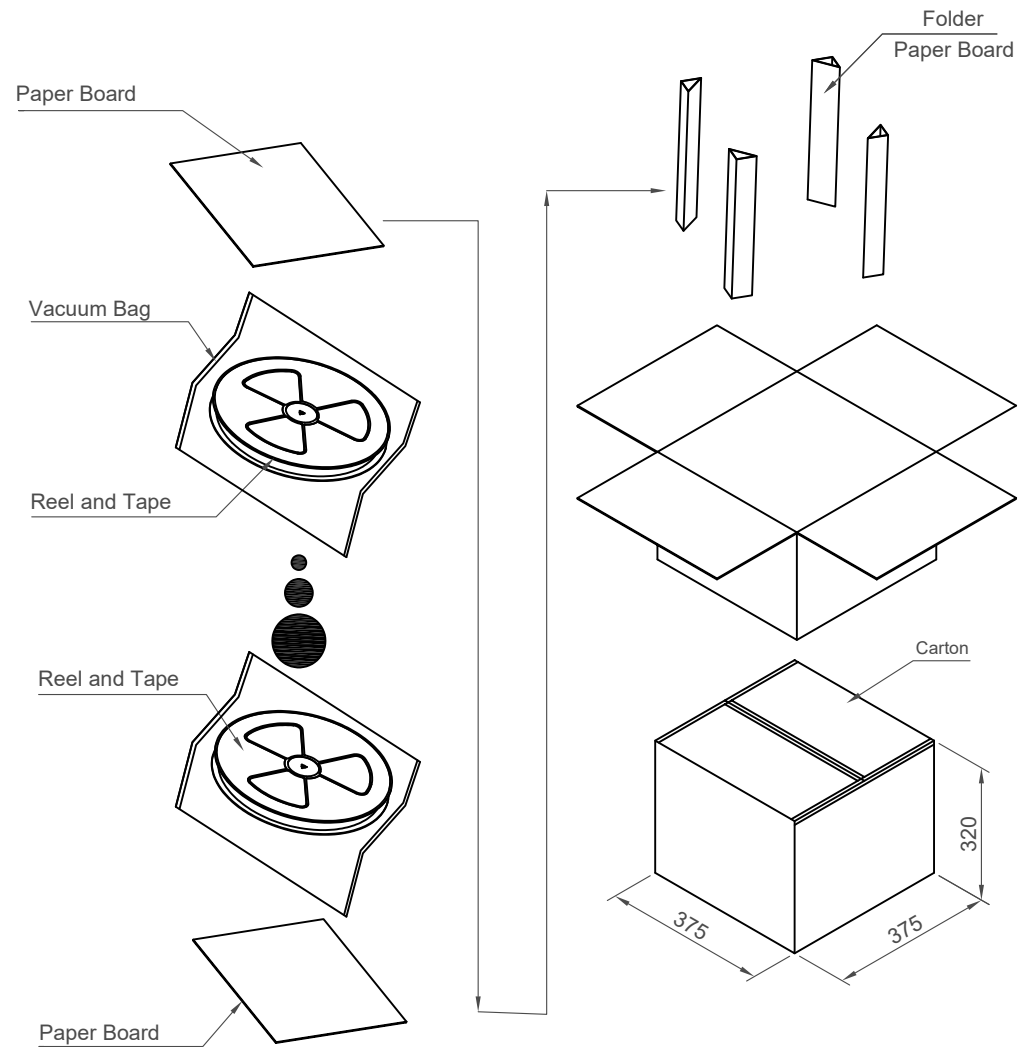
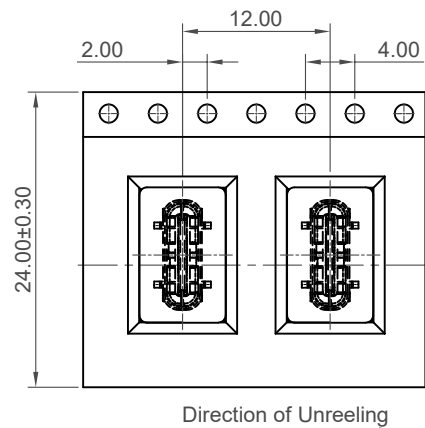
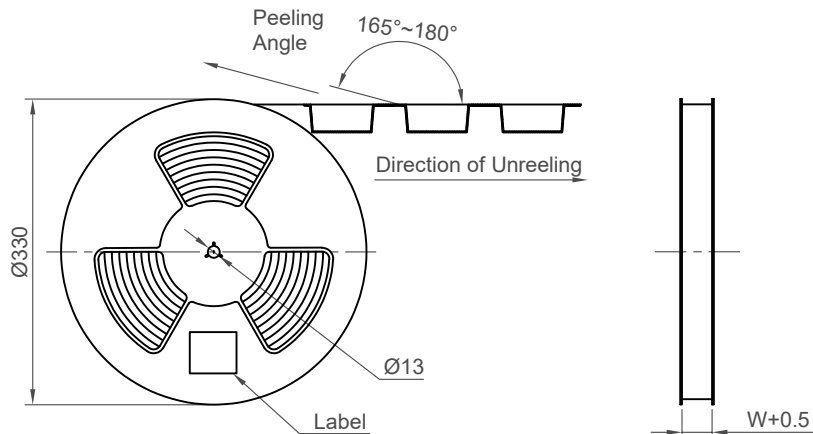
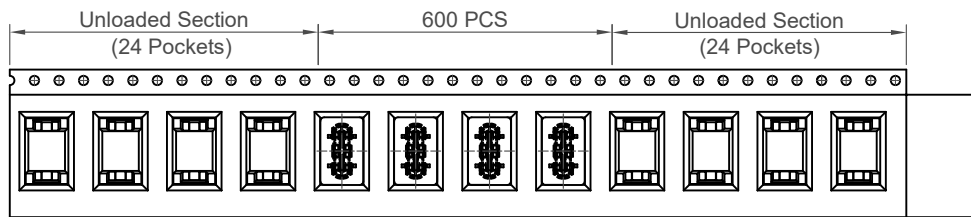
Recommended PCB Layout  
Thickness 1.00±0.10mm  
Tolerance: ±0.05mm

▨ Solder Area □ Component Outline

Pin	Signal	Mating Sequence	Pin	Signal	Mating Sequence
A1	GND	First	B12	GND	First
A4	V <sub>bus</sub>	First	B9	V <sub>bus</sub>	First
A5	CC1	Second	B8	SBU2	Second
A6	Dp1	Second	B7	Dn2	Second
A7	Dn1	Second	B6	Dp2	Second
A8	SBU1	Second	B5	CC2	Second
A9	V <sub>bus</sub>	First	B4	V <sub>bus</sub>	First
A12	GND	First	B1	GND	First
SHELL		GND	SHELL		GND

Part Number		Product Description			
USB4120		USB 2.0 Type C Receptacle, 16contacts, Vertical, SMT, H=6.5mm			
Drawing Date		28th September 2020			
By	CC	Tolerances (Except as Noted)	Units:	  This drawing is confidential and copyright of Global Connector Technology, Ltd (GCT). This drawing must not be copied or disclosed without written consent. E & OE	
Detail	Drawing Release	Length	Angle		
Revision	A6	X.X ± 0.30	-		
Date	29/10/24	X.XX ± 0.25	X.XXX ± 0.10		
Not to Scale		Drawn By	CC	Sheet No. 2/3	

**GCT**  
www.gct.co



Pcs / Reel	Reels / Carton	Total Quantity
600	10	6,000 pcs

Part Number		Product Description	
USB4120		USB 2.0 Type C Receptacle, 16contacts, Vertical, SMT, H=6.5mm	
Drawing Date		28th September 2020	
By	CC	Tolerances (Except as Noted)	Units:
Detail	Drawing Release	Length	Metric (mm)
Revision	A6	X.X ± 0.30	 3rd Angle Projection
Date	29/10/24	X.XX ± 0.25	
		X.XXX ± 0.10	



This drawing is confidential and copyright of Global Connector Technology, Ltd (GCT). This drawing must not be copied or disclosed without written consent. E & OE



Not to Scale      Drawn By CC      Sheet No. 3/3