

Specifications

Material

Insulator: LCP, UL 94V-0, Black
 Contact: Copper Alloy
 Mid Plate: Stainless Steel
 Shell: Stainless Steel

Plating

Contact
 Contact Area: 3u" Au over 50µ" min. Nickel
 Solder Tails: Gold Flash over 50µ" min. Nickel
 Shell: 30µ" min. Nickel
 Mid Plate: Clear

Electrical

Current Rating: 5.00A collectively for VBus pins
 6.25A collectively for GND pins
 1.25A for A5/B5 pin
 0.25A per pin for all other pins

Voltage Rating: 48V DC
 Power Rating: 240W
 Contact Resistance: 40mΩ max initial.
 50mΩ max after test
 Dielectric Withstanding Voltage: 100V AC
 Insulation Resistance 100MΩ min

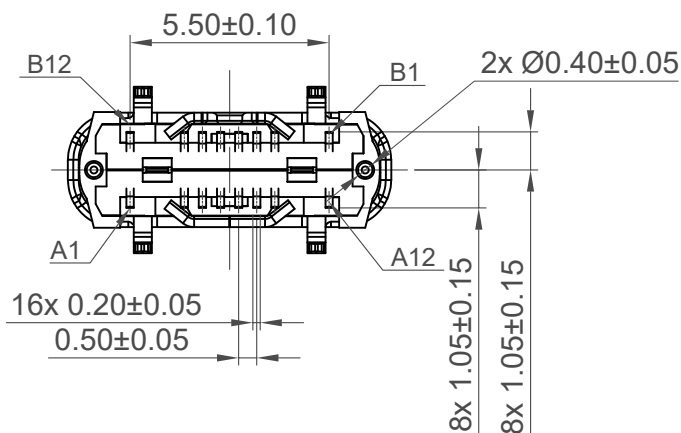
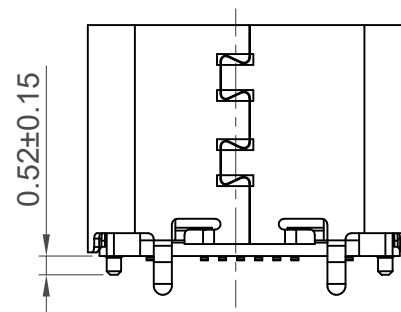
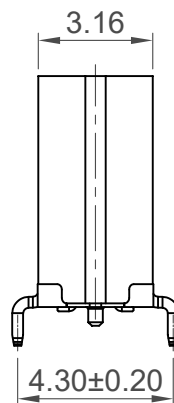
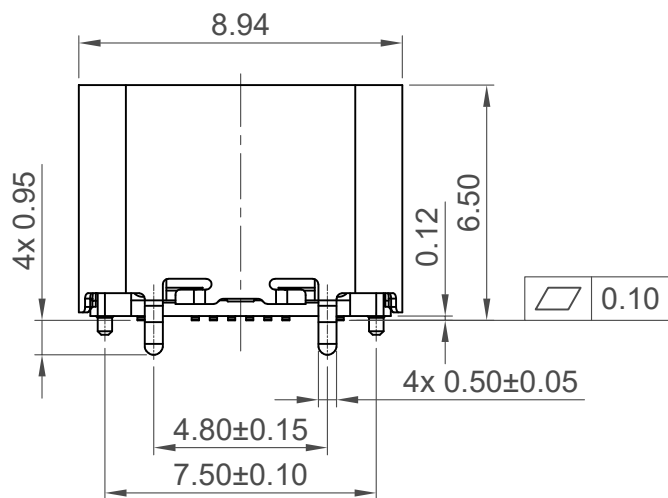
Mechanical & Environmental

Operating Temperature: -25°C to +85°C
 Mating Force: 5 to 20 N.
 Unmated Force: 6 to 20 N after test
 Durability: 20,000 cycles

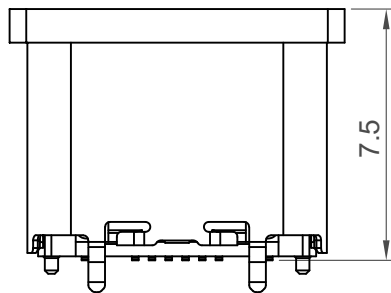
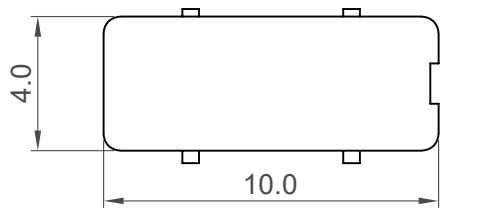
Ordering Grid

USB4120 - 03 - C Request Samples and Quotation

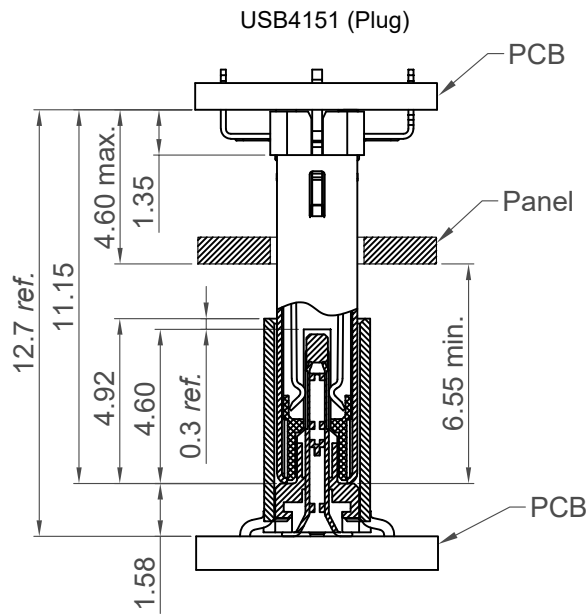
Contact Plating: 03 = 3u" Gold
 Packing Options: C = Tape & Reel with Cap (600 per reel)



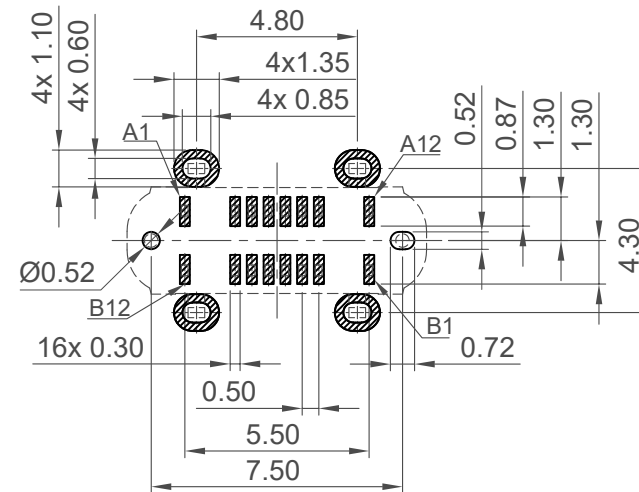
Part Number		Product Description		 GCT www.gct.co
USB4120		USB 2.0 Type C Receptacle, 16contacts, Vertical, SMT, H=6.5mm		
Drawing Date		28th September 2020		
By	KY	Tolerances (Except as Noted)	Units:	 This drawing is confidential and copyright of Global Connector Technology, Ltd (GCT). This drawing must not be copied or disclosed without written consent. E & OE
Detail	Drawing Release	Length	Metric (mm)	
Revision	A5	X.X ± 0.30	 3rd Angle Projection	
Date	09/07/24	X.XX ± 0.25		
		X.XXX ± 0.10		
Not to Scale	Drawn By	CC	Sheet No.	1/3



Cap Information





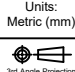

USB4120 (Receptacle)
Plug and Receptacle Mating View



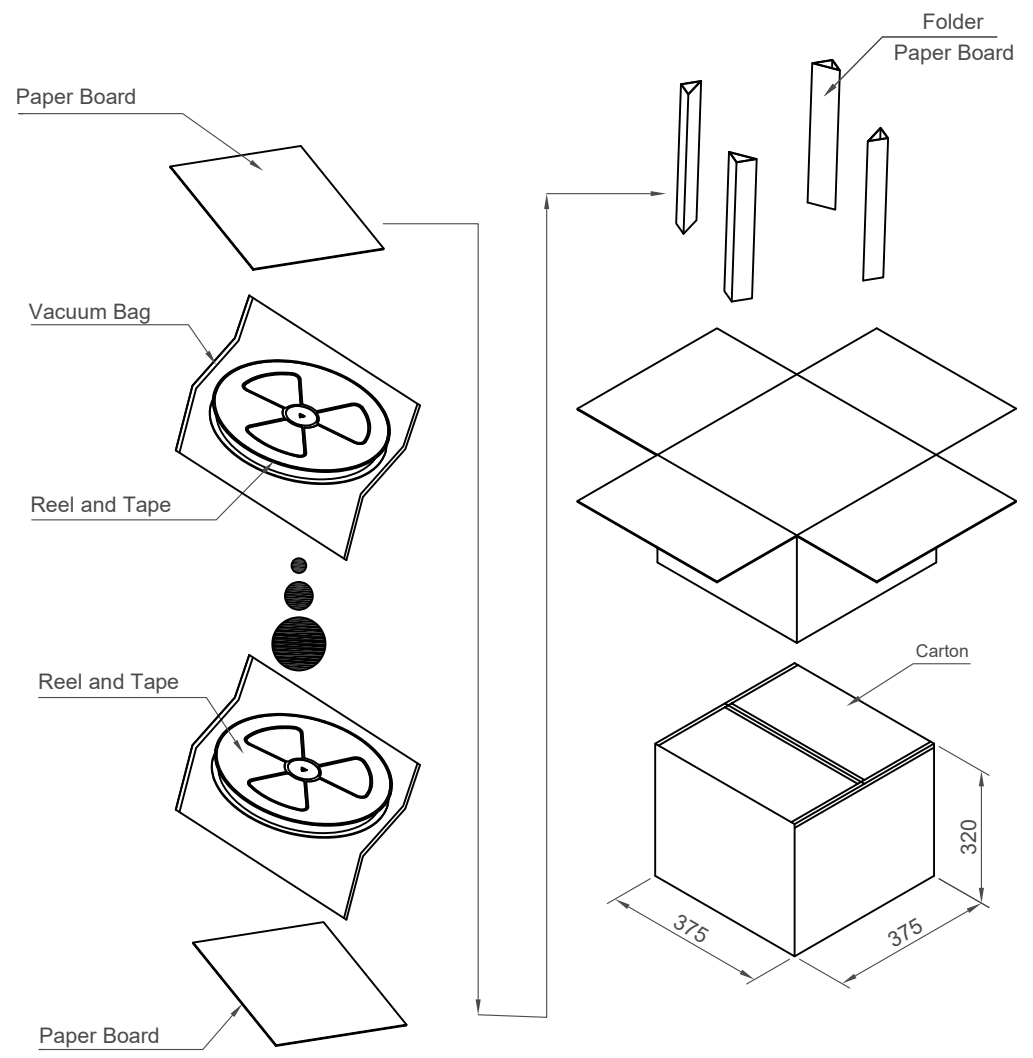
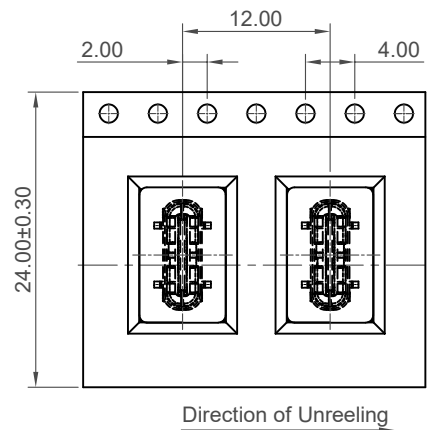
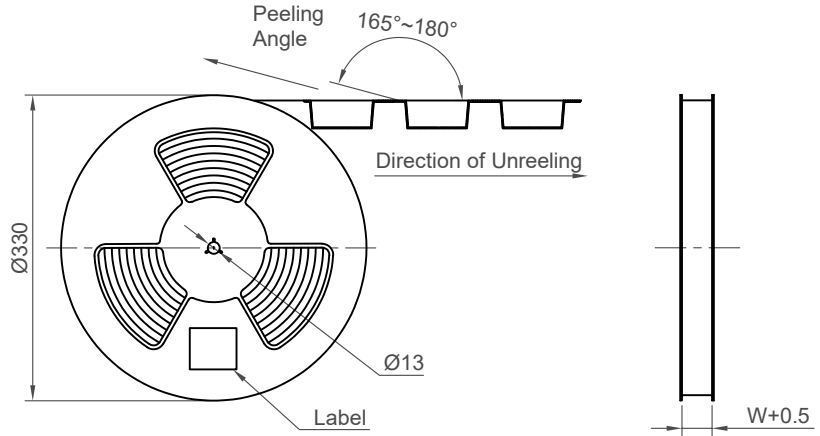
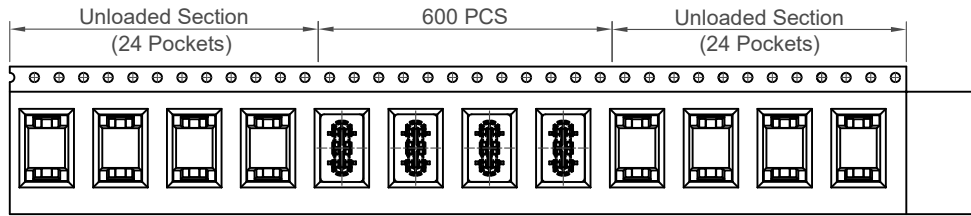
Recommended PCB Layout
Thickness 1.00±0.10mm
Tolerance: ±0.05mm

▨ Solder Area □ Component Outline

Pin	Signal	Mating Sequence	Pin	Signal	Mating Sequence
A1	GND	First	B12	GND	First
A4	Vbus	First	B9	Vbus	First
A5	CC1	Second	B8	SBU2	Second
A6	Dp1	Second	B7	Dn2	Second
A7	Dn1	Second	B6	Dp2	Second
A8	SBU1	Second	B5	CC2	Second
A9	Vbus	First	B4	Vbus	First
A12	GND	First	B1	GND	First
SHELL		GND	SHELL		GND

Part Number		Product Description		 www.gct.co			
USB4120		USB 2.0 Type C Receptacle, 16contacts, Vertical, SMT, H=6.5mm					
Drawing Date		28th September 2020					
By	KY	Tolerances (Except as Noted)	Units:	   This drawing is confidential and copyright of Global Connector Technology, Ltd (GCT). This drawing must not be copied or disclosed without written consent. E & OE	Not to Scale	Drawn By	Sheet No.
Detail	Drawing Release	Length	Metric (mm)				
Revision	A5	Angle					
Date	09/07/24	X.X ± 0.30					
		X.XX ± 0.25					
		X.XXX ± 0.10					

H
G
F
E
D
C
B
A



Pcs / Reel	Reels / Carton	Total Quantity
600	10	6,000 pcs

Part Number		Product Description	
USB4120		USB 2.0 Type C Receptacle, 16contacts, Vertical, SMT, H=6.5mm	
Drawing Date		28th September 2020	
By	KY	Tolerances (Except as Noted)	Units:
Detail	Drawing Release	Length	Metric (mm)
Revision	A5	X.X ± 0.30	
Date	09/07/24	X.XX ± 0.25	
		X.XXX ± 0.10	



This drawing is confidential and copyright of Global Connector Technology, Ltd (GCT). This drawing must not be copied or disclosed without written consent. E & OE



Not to Scale	Drawn By CC	Sheet No. 3/3
--------------	-------------	---------------

1 2 3 4 5 6 7 8