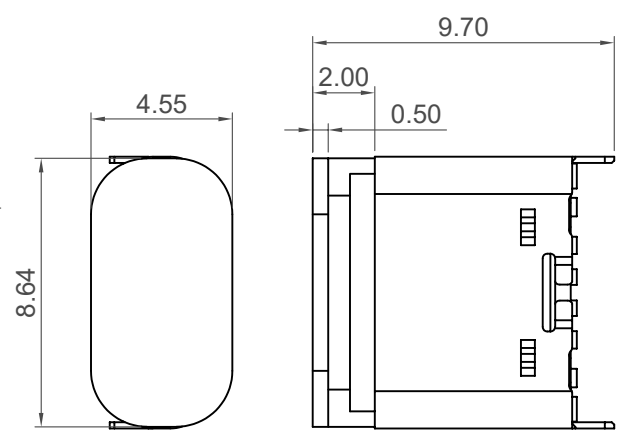
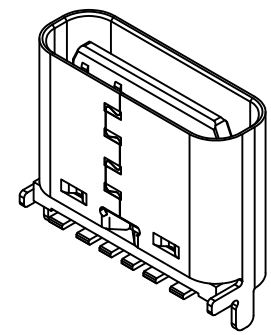


Recommended PCB Layout
 Thickness 1.00 to 1.20
 Tolerance: ±0.05mm

▨ Solder Area □ Component Outline



Cap Information



Specifications

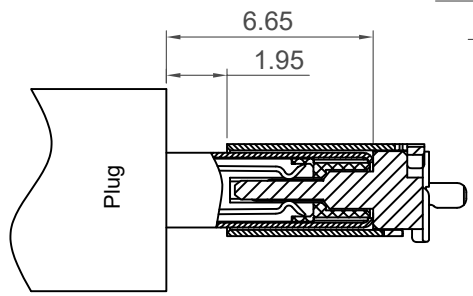
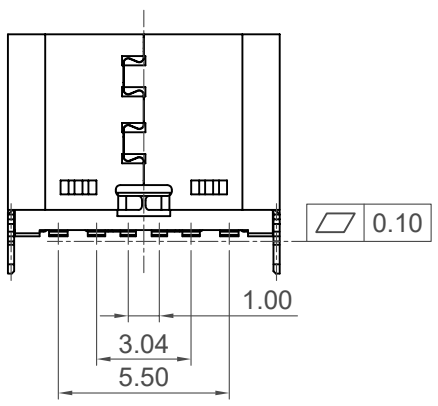
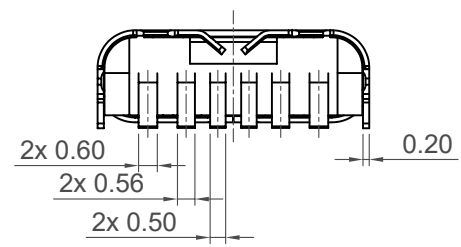
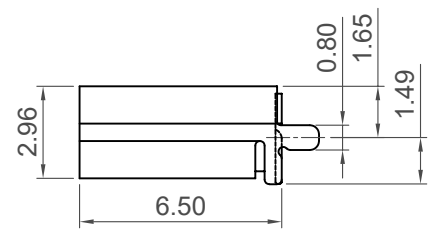
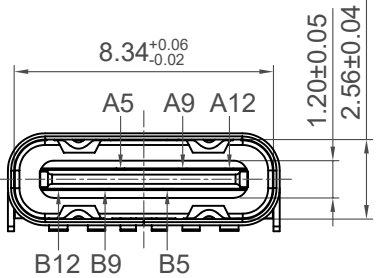
Material
 Insulator: LCP, UL 94V-0, Black
 Contact: Copper Alloy
 Shell: Stainless Steel
 Middle Plate: Stainless Steel

Plating
 Contact: Gold Flash All Over
 Shell: 50µ" min. Nickel
 Middle Plate: Clear

Electrical
 Current Rating: 3.00A collectively for VBus pins
 4.25A collectively for GND pins
 1.25A for A5/B5 pin

Voltage Rating: 48V DC
 Contact Resistance: 40mΩ max initial.
 50mΩ max after test
 Dielectric Withstanding Voltage: 100V AC
 Insulation Resistance 100MΩ min

Mechanical & Environmental
 Operating Temperature: -30°C to +85°C
 Mating Force: 5 to 20 N.
 Unmated Force: 6 to 20 N after test
 Durability: 10,000 cycles



Plug and Receptacle Mating View

Pin	Signal	Mating Sequence
A5	CC1	Second
A9	Vbus	First
A12	GND	First
B5	CC2	Second
B9	Vbus	First
B12	GND	First
SHELL		GND

Ordering Grid

USB4130 = GF = C

Request Samples and Quotation

Contact Plating
 GF = Gold Flash

Packing Options
 C = Tape & Reel With Cap (600 per reel)

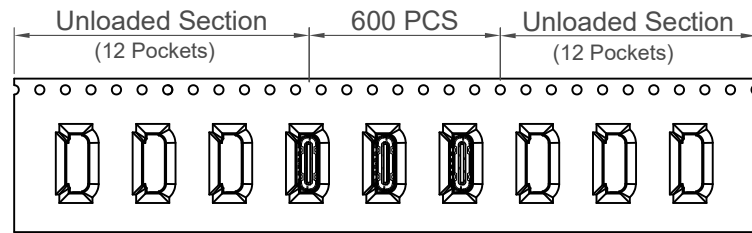
Part Number		Product Description	
USB4130		USB Type C Receptacle, Vertical, SMT, For Power charging only	
Drawing Date		26th November 2020	
By	KY	Tolerances (Except as Noted)	Units:
Detail	Drawing Release	Length	Metric (mm)
Revision	A2	Angle	
Date	13/09/24	X.X ± 0.30	
		X.XX ± 0.25	
		X.XXX ± 0.10	



This drawing is confidential and copyright of Global Connector Technology, Ltd (GCT). This drawing must not be copied or disclosed without written consent. E & OE

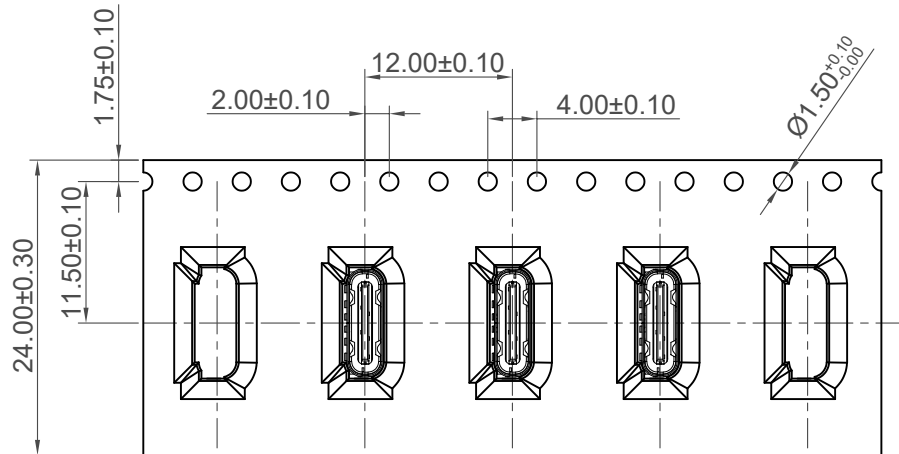
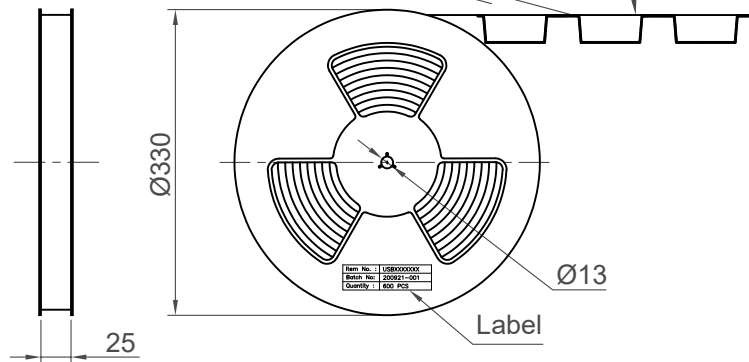


Not to Scale Drawn By CC Sheet No. 1/2

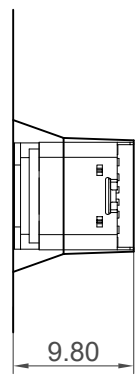


Direction of Unreeling

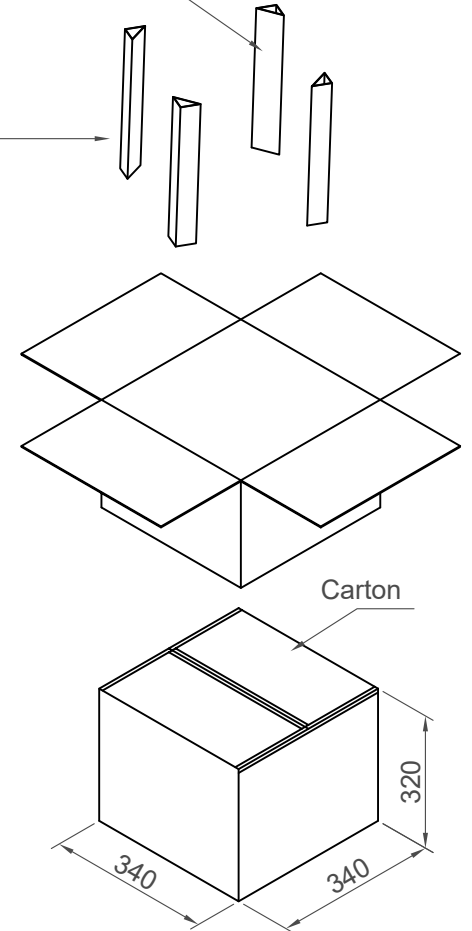
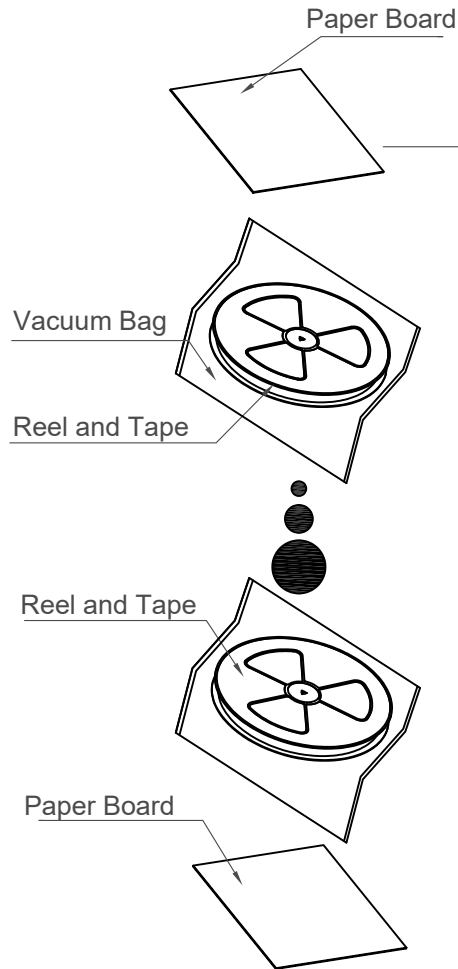
Peeling Angle 165°~180°



Direction of Unreeling



Folder Paper Board



Pcs / Reel	Reels / Carton	Total Quantity
600	10	6,000 pcs

Part Number		Product Description	
USB4130		USB Type C Receptacle, Vertical, SMT, For Power charging only	
Drawing Date		20th November 2020	
By	KY	Tolerances (Except as Noted)	Units:
Detail	Drawing Release	Length	Metric (mm)
Revision	A2	Angle	3rd Angle Projection
Date	13/09/24		



This drawing is confidential and copyright of Global Connector Technology, Ltd (GCT). This drawing must not be copied or disclosed without written consent. E & OE



Not to Scale Drawn By CC Sheet No. 2/2