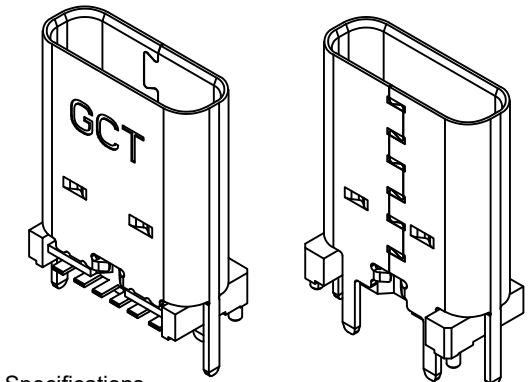
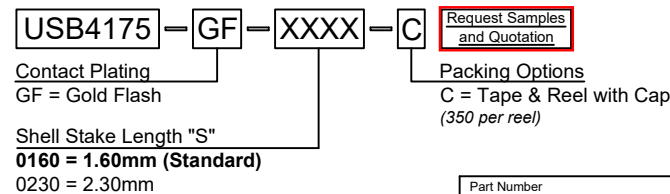


Section:A-A

Ordering Grid



Specifications

Material

Insulator: PA9T, UL 94V-0, Black  
 Contact: Copper Alloy  
 Shell: Stainless Steel  
 Middle Plate: Stainless Steel

Plating

Contact  
 Contact Area: Gold Flash Over 50µ" min. Nickel  
 Solder Tails: Gold Flash Over 50µ" min. Nickel  
 Shell: 30µ" min. Nickel  
 Middle Plate: Clear

Electrical

Current Rating: 3.00A collectively for VBUS pins  
 4.25A collectively for GND pins  
 1.25A for A5/B5 pin

Voltage Rating: 48V DC

Contact Resistance: 40mΩ max initial.

50mΩ max after test

Dielectric Withstanding Voltage: 100V AC

Insulation Resistance 100MΩ min

Mechanical & Environmental

Operating Temperature: -25°C to +85°C

Mating Force: 5 to 20 N.

Unmated Force: 6 to 20 N after test

Durability: 20,000 cycles

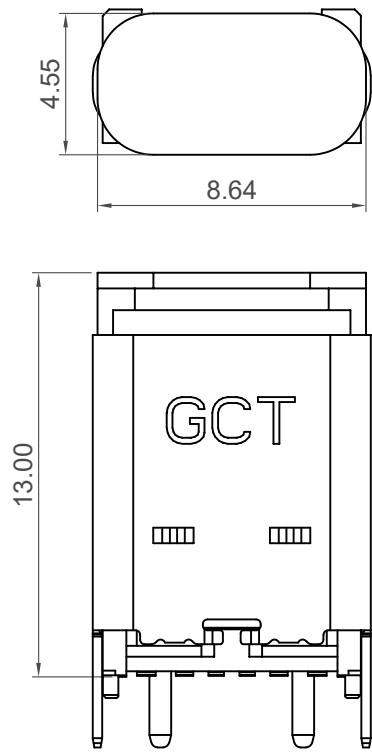
Part Number		Product Description	
USB4175		USB Type C Receptacle, Vertical, SMT, H11.0mm	
Drawing Date		For Power charging only, 6 Pin	
2nd March 2023			
By	KY	Tolerances (Except as Noted)	Units:
Detail	Drawing Release	Length	Metric (mm)
Revision	A2	Angle	
Date	29/08/24	X.X ± 0.30	
		X.XX ± 0.20	
		X.XXX ± 0.10	



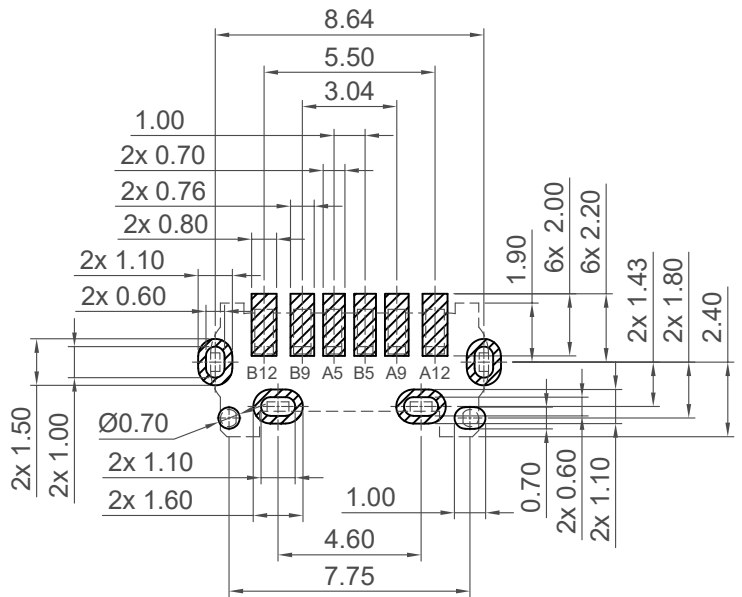
This drawing is confidential and copyright of Global Connector Technology, Ltd (GCT). This drawing must not be copied or disclosed without written consent. E & OE



Not to Scale	Drawn By CC	Sheet No. 1/4
--------------	-------------	---------------



Cap Information



**Recommended PCB Layout**

Tolerance:  $\pm 0.05\text{mm}$

Solder Area    Component Outline

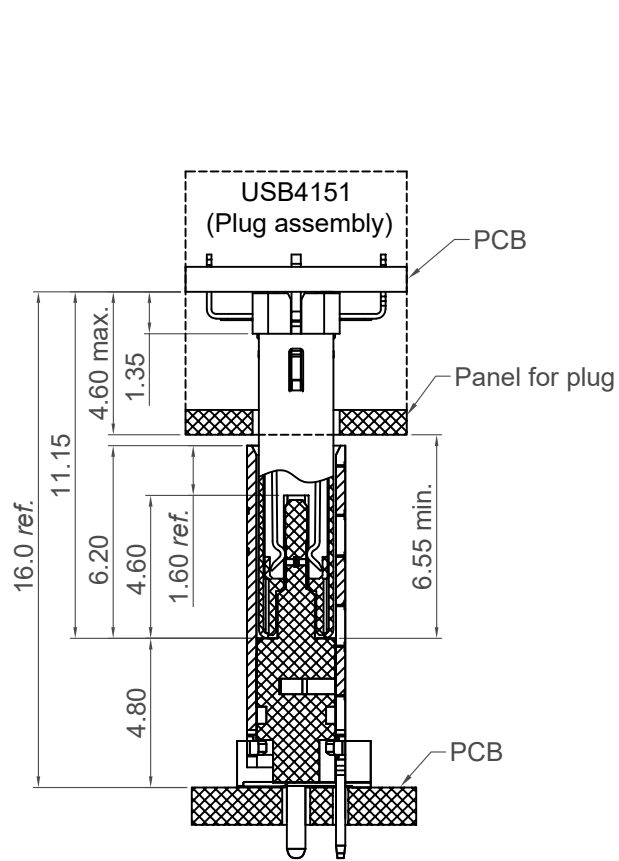
Pin	Signal	Mating Sequence
A5	CC1	Second
A9	V <sub>BUS</sub>	First
A12	GND	First
B5	CC2	Second
B9	V <sub>BUS</sub>	First
B12	GND	First
SHELL		GND

Part Number		Product Description	
USB4175		USB Type C Receptacle, Vertical, SMT, H11.0mm	
Drawing Date		For Power charging only, 6 Pin	
2nd March 2023			
By	KY	Tolerances (Except as Noted)	Units:
Detail	Drawing Release	Length	Metric (mm)
Revision	A2	Angle	
Date	29/08/24	X.X $\pm$ 0.30	
		X.XX $\pm$ 0.20	
		X.XXX $\pm$ 0.10	
		3rd Angle Projection	
		<b>RoHS COMPLIANT 2011/05/UE</b>	
		This drawing is confidential and copyright of Global Connector Technology, Ltd (GCT). This drawing must not be copied or disclosed without written consent. E & OE	
Not to Scale	Drawn By CC	Sheet No. 2/4	

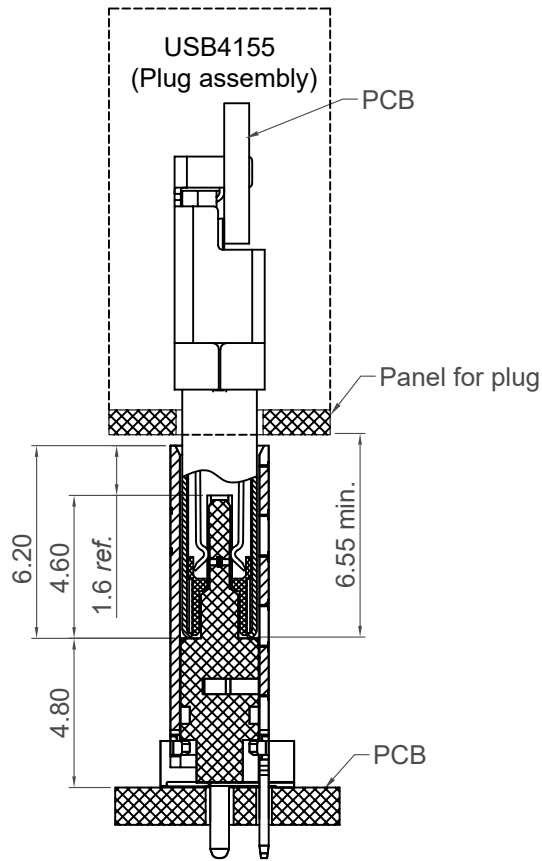


H  
G  
F  
E  
D  
C  
B  
A

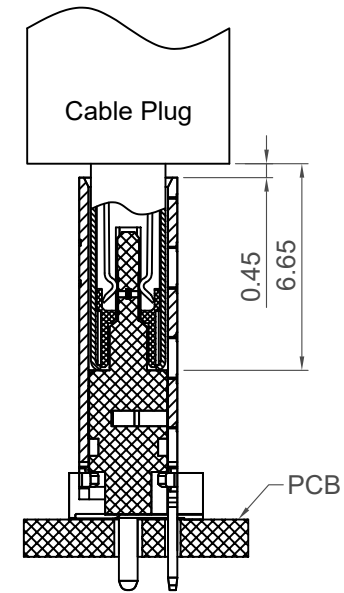
1      2      3      4      5      6      7      8



USB4175  
(Receptacle assembly)



USB4175  
(Receptacle assembly)

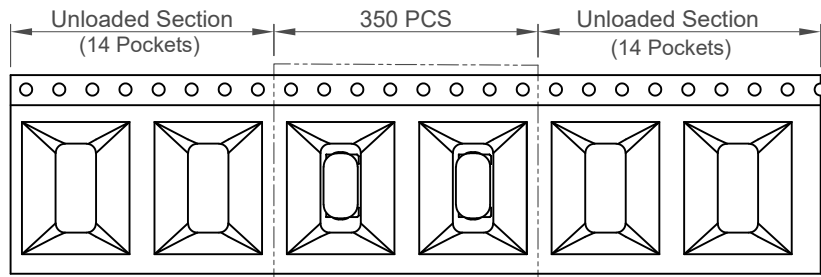


USB4175  
(Receptacle assembly)

Plug and Receptacle Mating View

Part Number		Product Description	
USB4175		USB Type C Receptacle, Vertical, SMT, H11.0mm	
Drawing Date		For Power charging only, 6 Pin	
2nd March 2023			
By	KY	Tolerances (Except as Noted)	Units:
Detail	Drawing Release	Length	Metric (mm)
Revision	A2	X.X ± 0.30	
Date	29/08/24	X.XX ± 0.20	
		X.XXX ± 0.10	
		This drawing is confidential and copyright of Global Connector Technology, Ltd (GCT). This drawing must not be copied or disclosed without written consent. E & OE	
Not to Scale	Drawn By CC	Sheet No. 3/4	

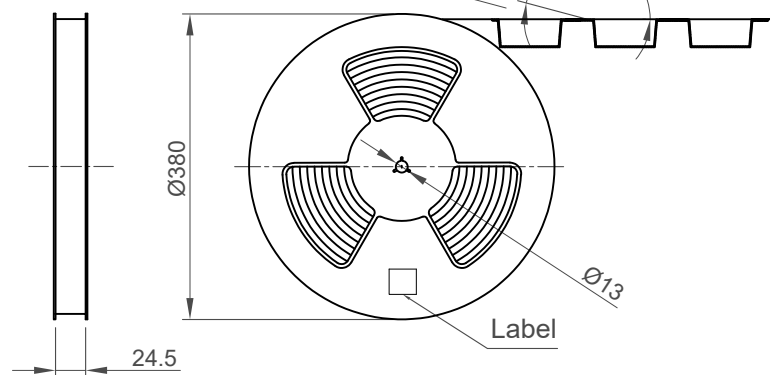




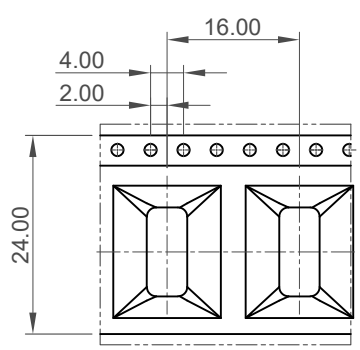
Detail E

Direction of Unreeling

Peeling Angle 165°~180°

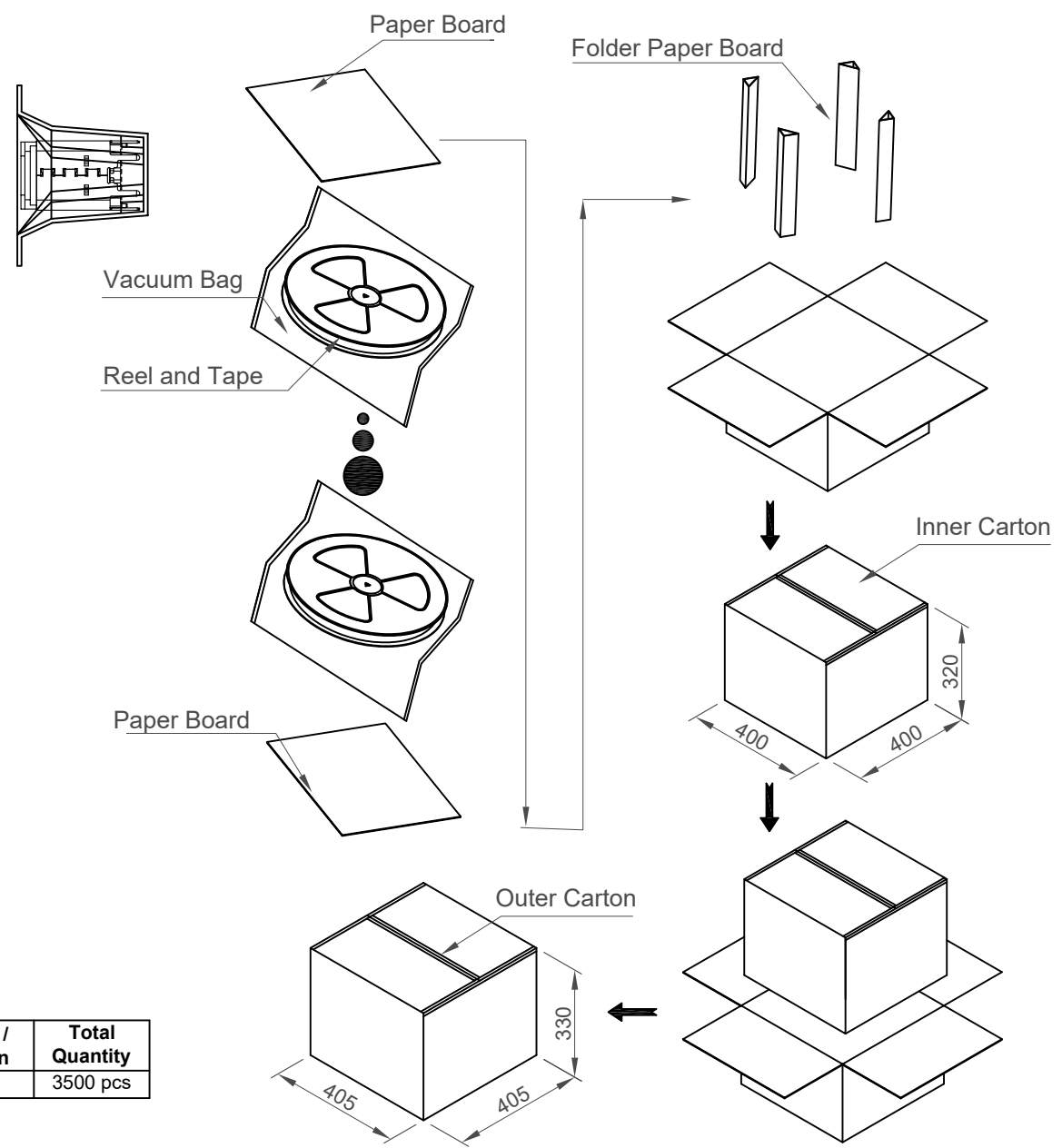


Direction of Unreeling



Detail: E

Pcs / Reel	Reels / Carton	Total Quantity
350	10	3500 pcs



Part Number		Product Description	
USB4175		USB Type C Receptacle, Vertical, SMT, H11.0mm	
Drawing Date		For Power charging only, 6 Pin	
2nd March 2023			
By	KY	Tolerances (Except as Noted)	Units:
Detail	Drawing Release	Length	Metric (mm)
Revision	A2	Angle	
Date	29/08/24	X.X ± 0.30	
		X.XX ± 0.20	
		X.XXX ± 0.10	



This drawing is confidential and copyright of Global Connector Technology, Ltd (GCT). This drawing must not be copied or disclosed without written consent. E & OE



Not to Scale	Drawn By CC	Sheet No. 4/4
--------------	-------------	---------------