

Specifications

Material

Insulator: LCP, UL 94V-0, Black
 Contact: Copper Alloy
 Shell: Stainless Steel

Plating

Contact

Contact Area: 3µ" Au over 50µ" min. Nickel
 Solder Tails: 80µ" min. Sn over 50µ" min. Nickel
 Shell: 30µ" min. Nickel

Electrical

Current Rating: 3.00A collectively for Vbus pins
 4.25A collectively for GND pins
 1.25A for A5/B5 pin

Voltage Rating: 48V DC

Contact Resistance: 40mΩ max initial.

50mΩ max after test

Dielectric Withstanding Voltage: 100V AC

Insulation Resistance 100MΩ min

Mechanical & Environmental

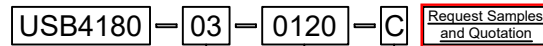
Operating Temperature: -25°C to +85°C

Mating Force: 5N max.

Unmated Force: 3N max.

Durability: 10,000 cycles

Ordering Grid



Contact Plating

03 = 3µ" Gold

Packing Options

C = Tape & Reel with Cap

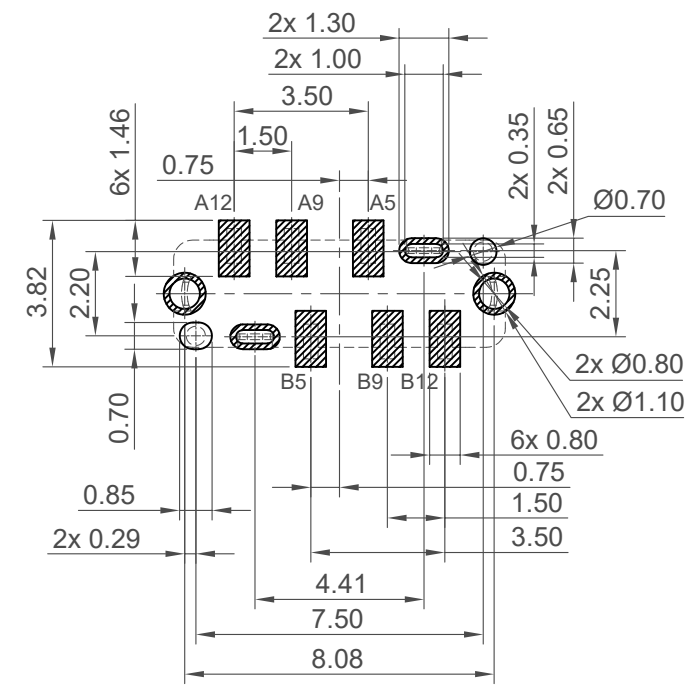
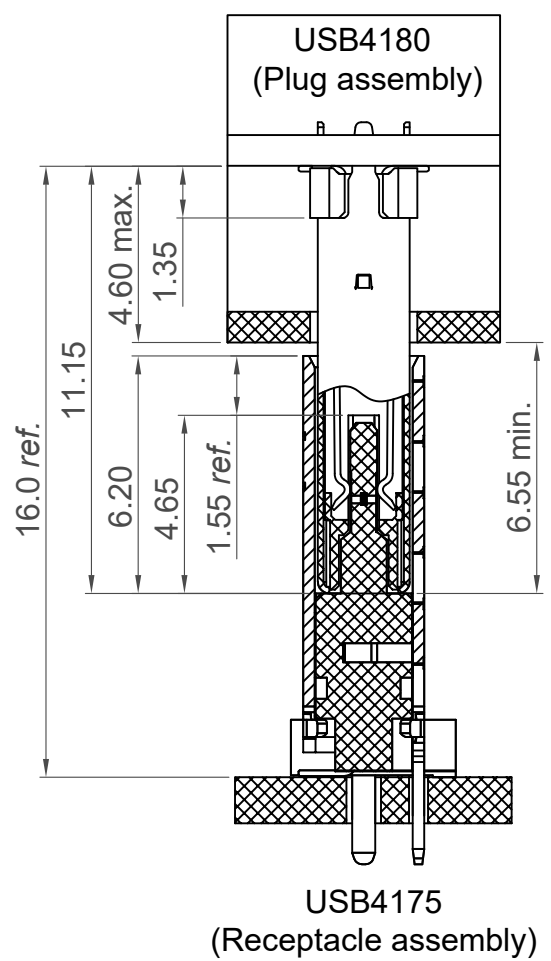
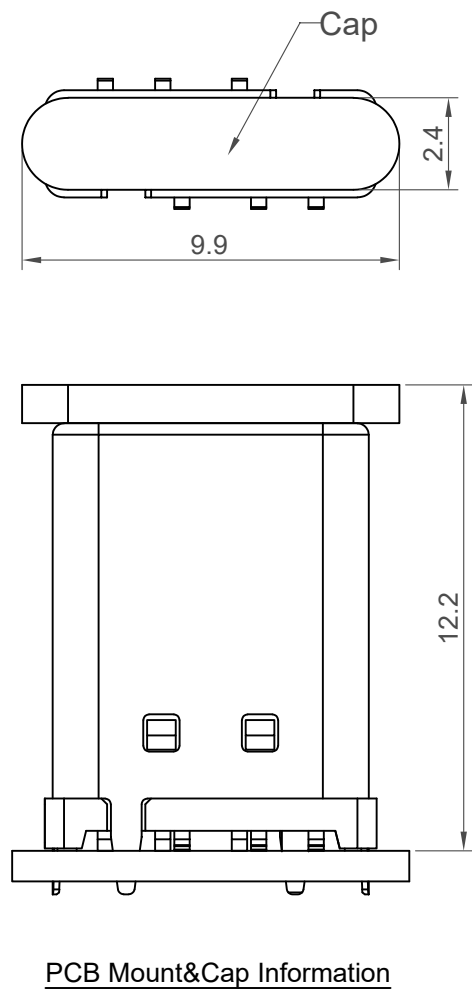
(400 per reel)

Shell Stake Length "S"

0120 = 1.20mm

Part Number		Product Description		 www.gct.co
USB4180		Type C Plug, Vertical, SMT, For Power Charging Only		
Drawing Date		6 Pin, Without Latches		
24th March 2023				
By	KY	Tolerances (Except as Noted)	Units:	 This drawing is confidential and copyright of Global Connector Technology, Ltd (GCT). This drawing must not be copied or disclosed without written consent. E & OE
Detail	Drawing Release	Length	Metric (mm)	
Revision	A1	Angle		
Date	29/08/24	X.X ± 0.30 X.XX ± 0.25 X.XXX ± 0.10		
		 3rd Angle Projection		Not to Scale Drawn By CC
				Sheet No. 1/3

H
G
F
E
D
C
B
A

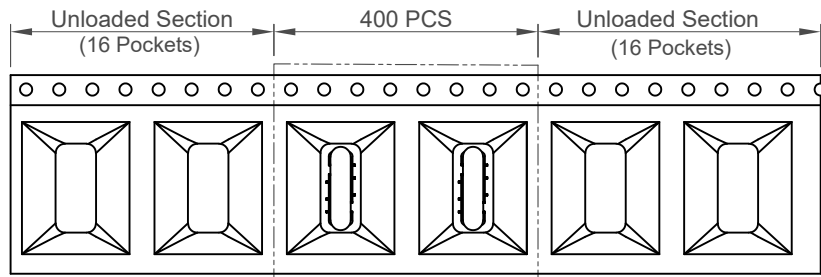


Recommended PCB Layout
 Thickness 0.8±0.10mm
 Tolerance: ±0.05mm

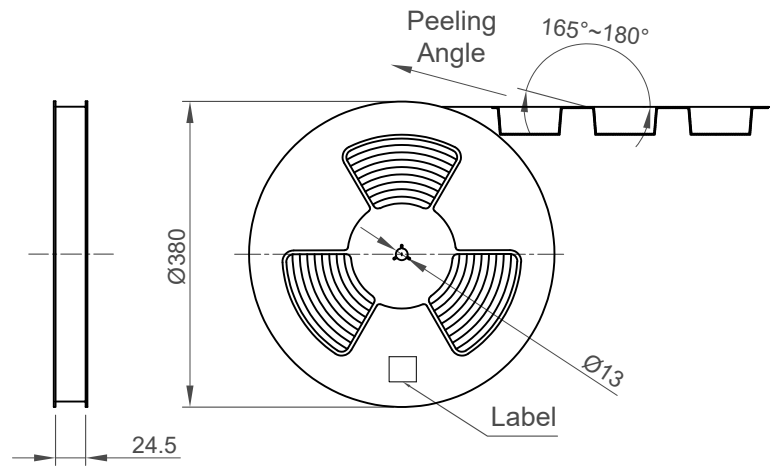
▨ Solder Area □ Component Outline

Pin	Signal	Mating Sequence
A5	CC1	Second
A9	V _{Bus}	First
A12	GND	First
B5	CC2	Second
B9	V _{Bus}	First
B12	GND	First
SHELL		GND

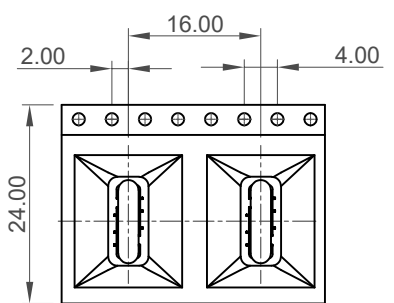
Part Number USB4180		Product Description Type C Plug, Vertical, SMT, For Power Charging Only 6 Pin, Without Latches		 www.gct.co	
Drawing Date 24th March 2023					
By KY	Release A1	Tolerances (Except as Noted)	Units: Metric (mm)		
Detail	Release	X.X ± 0.30			
Revision	A1	X.XX ± 0.25			
Date	29/08/24	X.XXX ± 0.10			
				Not to Scale Drawn By CC Sheet No. 2/3	



Direction of Unreeling

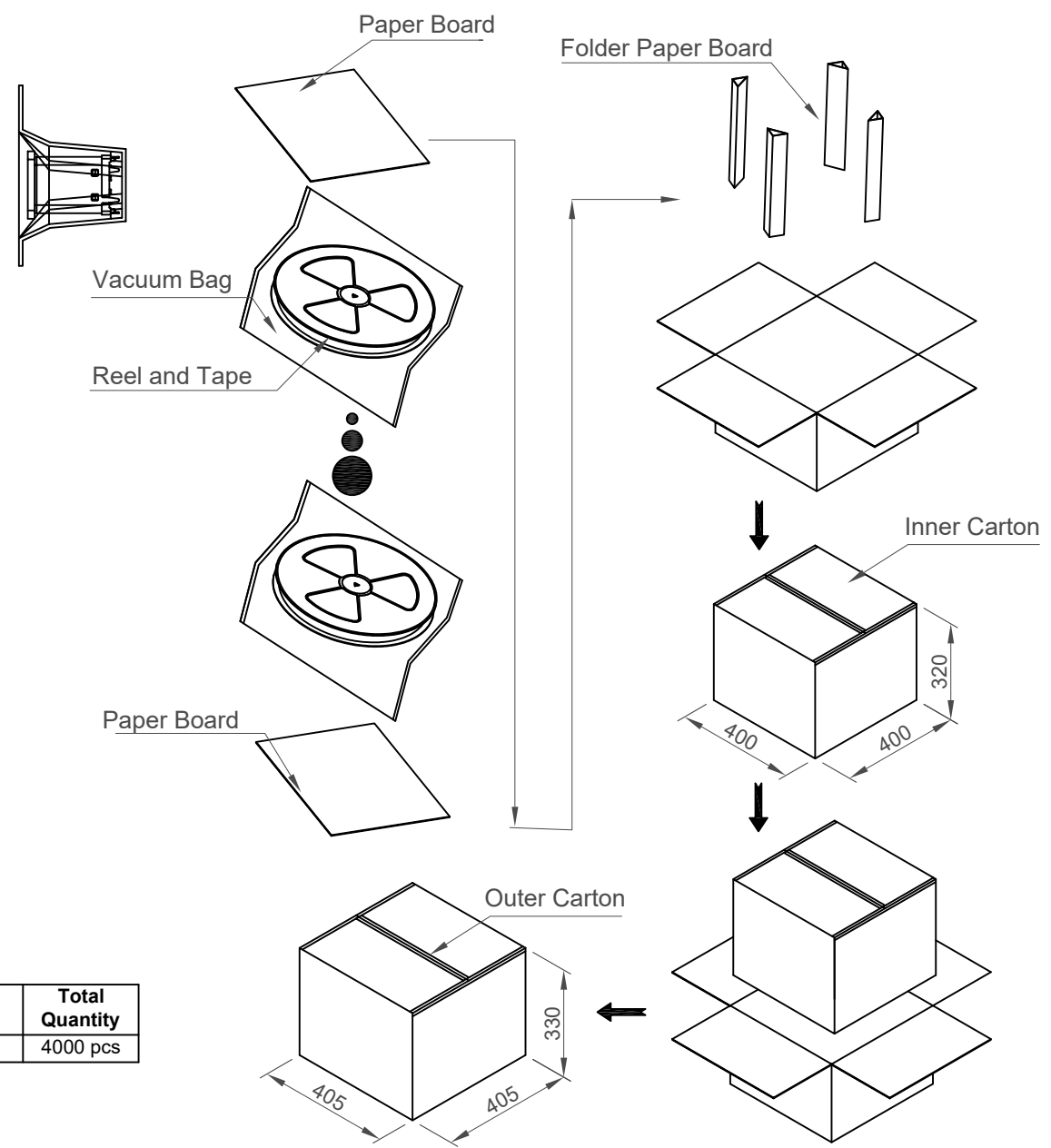


Direction of Unreeling



Detail: E

Pcs / Reel	Reels / Carton	Total Quantity
400	10	4000 pcs



Part Number		Product Description	
USB4180		Type C Plug, Vertical, SMT, For Power Charging Only	
Drawing Date		6 Pin, Without Latches	
24th March 2023			
By	KY	Tolerances (Except as Noted)	Units:
Detail	Drawing Release	Length	Metric (mm)
Revision	A1	Angle	
Date	29/08/24	X.X ± 0.30	
		X.XX ± 0.25	
		X.XXX ± 0.10	



This drawing is confidential and copyright of Global Connector Technology, Ltd (GCT). This drawing must not be copied or disclosed without written consent. E & OE



Not to Scale	Drawn By CC	Sheet No. 3/3
--------------	-------------	---------------