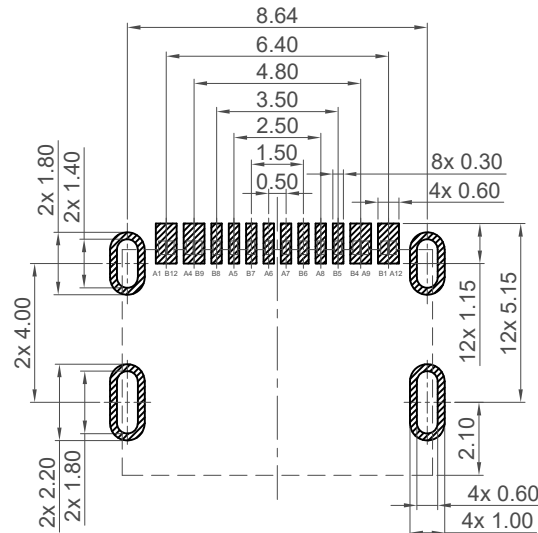
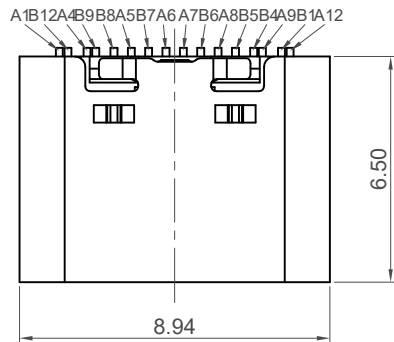
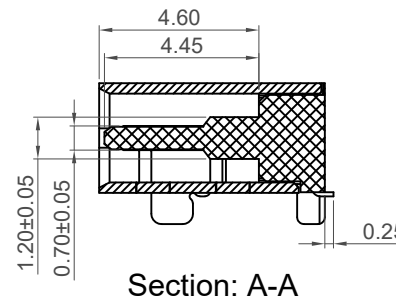
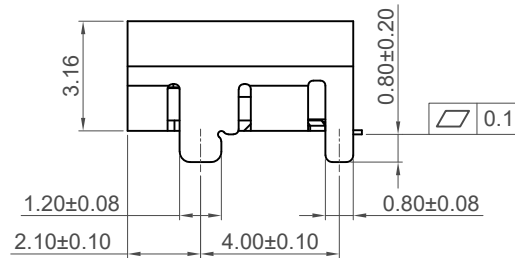
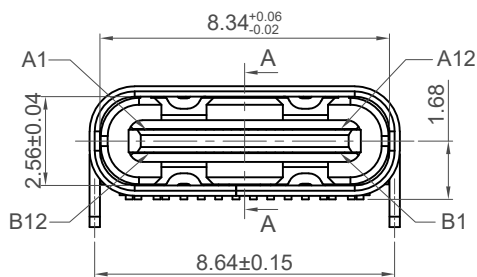
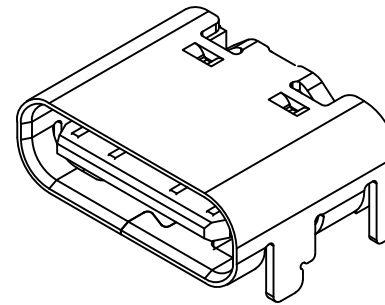


H
G
F
E
D
C
B
A

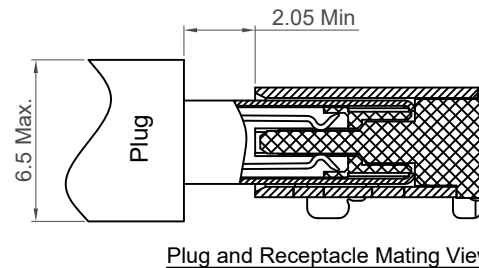
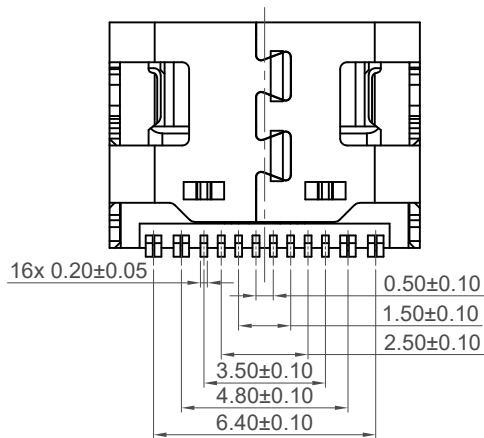


Recommended PCB Layout
As viewed from component side Tolerance: ±0.05mm

▨ Solder Area □ Component Outline

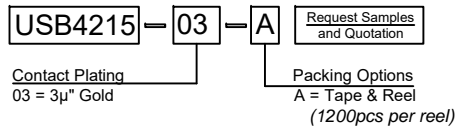


Section: A-A



Plug and Receptacle Mating View

Ordering Grid



Contact Plating
03 = 3µ" Gold

Packing Options
A = Tape & Reel
(1200pcs per reel)

Pin	Signal	Mating Sequence	Pin	Signal	Mating Sequence
A1	GND	First	B12	GND	First
A4	Vbus	First	B9	Vbus	First
A5	CC1	Second	B8	SBU2	Second
A6	Dp1	Second	B7	Dn2	Second
A7	Dn1	Second	B6	Dp2	Second
A8	SBU1	Second	B5	CC2	Second
A9	Vbus	First	B4	Vbus	First
A12	GND	First	B1	GND	First
SHELL		GND	SHELL		GND

Specifications

Material

Insulator: PA9T, UL 94V-0, Black
Terminal: Copper Alloy
Shell: Stainless steel
Mid Plate: Stainless Steel

Plating

Terminal:
Contact Area: 3µ" Gold
Solder Tails: Gold Flash
Underplating: 50µ" min. Nickel All Over
Shell: 30µ" min. Nickel
Mid Plate: Clear

Electrical

Current Rating: 5.00A collectively for Vbus pins
6.25A collectively for GND pins
1.25A for A5/B5 pin
0.25A per pin for all other pins

Voltage Rating: 48V DC
Power Rating: 240W
Contact Resistance: 40mΩ max. initial.
50mΩ max. after test
Dielectric Withstanding Voltage: 100V AC
Insulation Resistance 100MΩ min.

Mechanical & Environmental

Operating Temperature: -25°C to +85°C
Mating Force: 5 to 20 N.
Unmated Force: 6 to 20 N after test
Durability: 20,000 cycles

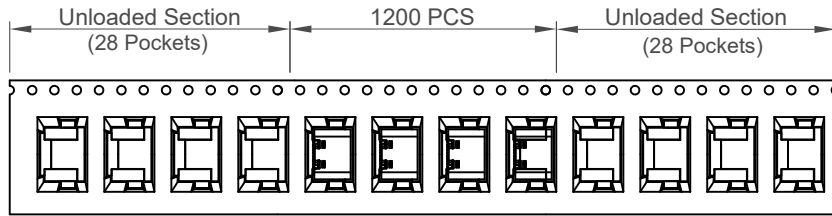
Part Number USB4215		Product Description USB Type C Receptacle for USB 2.0, SMT Type, PCB Top Mount, Horizontal, 16Pin	
Drawing Date 26th April 2024			
By	CC	Tolerances (Except as Noted)	Units:
Detail	Drawing Release	Length X.X ± 0.30	Metric (mm)
Revision	A	Angle X.XX ± 0.25	
Date	26/04/24	X.XXX ± 0.10	



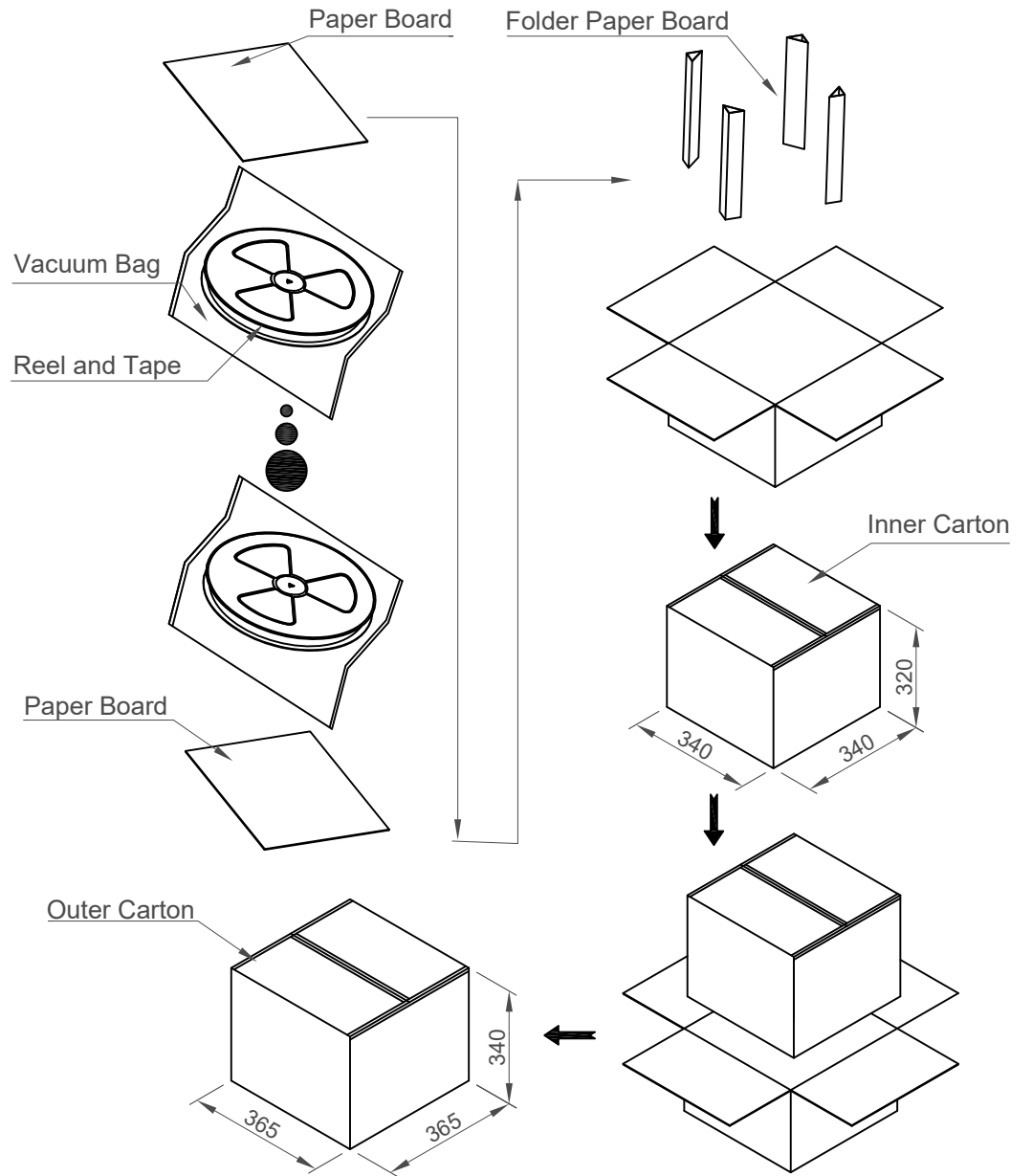
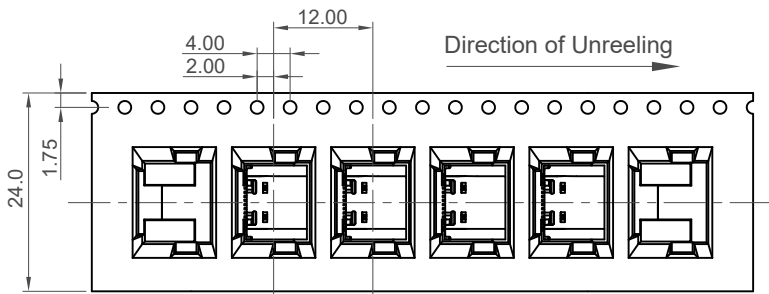
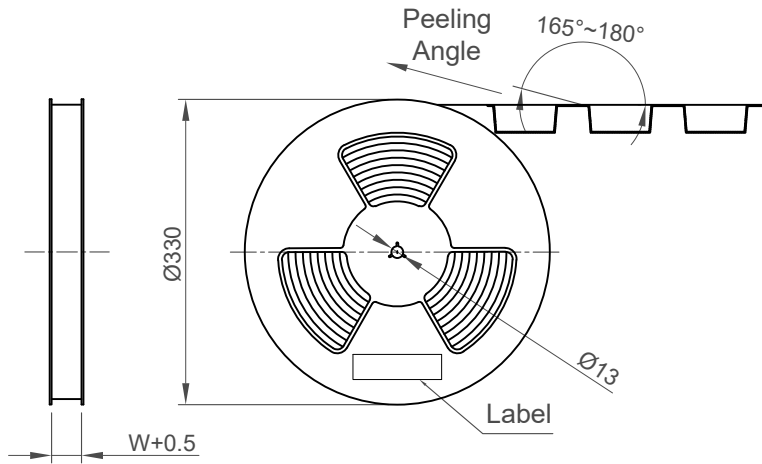
This drawing is confidential and copyright of Global Connector Technology, Ltd (GCT). This drawing must not be copied or disclosed without written consent. E & OE



Not to Scale	Drawn By CC	Sheet No. 1/2
--------------	----------------	------------------



Direction of Unreeling



Pcs / Reel	Reels / Carton	Total Quantity
1200	10	12000 pcs

Part Number		Product Description		
USB4215		USB Type C Receptacle for USB 2.0, SMT Type, PCB Top Mount, Horizontal, 16Pin		
Drawing Date		Units:		
26th April 2024		Metric (mm)		
By	CC	Tolerances (Except as Noted)		
Detail	Drawing Release	Length		Angle
Revision	A	-	-	This drawing is confidential and copyright of Global Connector Technology, Ltd (GCT). This drawing must not be copied or disclosed without written consent. E & OE
Date	26/04/24	-	-	



Not to Scale	Drawn By CC	Sheet No. 2/2
--------------	-------------	---------------