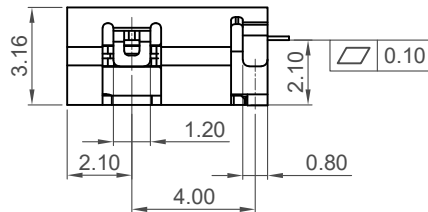
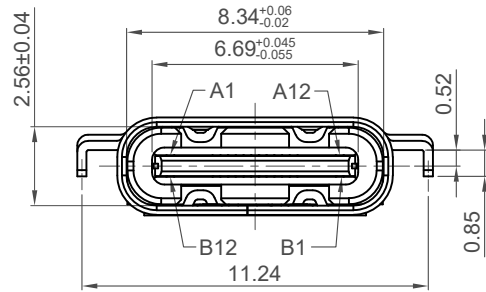


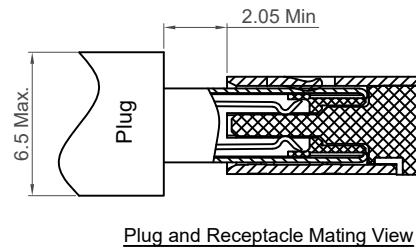
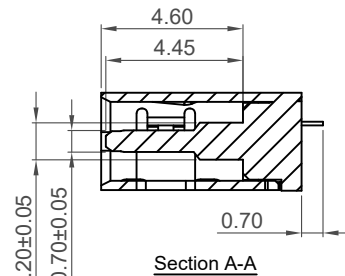
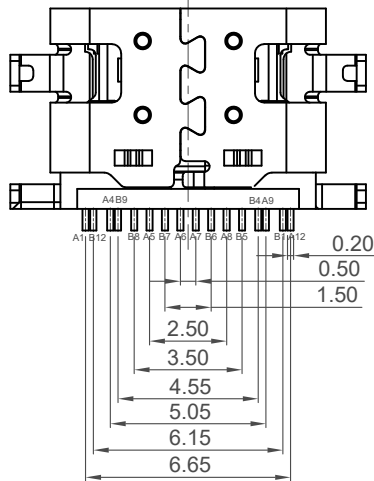
**Recommended PCB Layout**  
Thickness=0.80mm

As viewed from component side Tolerance:±0.05mm

▨ Solder Area □ Component Outline



Pin	Signal	Mating Sequence	Pin	Signal	Mating Sequence
A1	GND	First	B12	GND	First
A4	Vbus	First	B9	Vbus	First
A5	CC1	Second	B8	SBU2	Second
A6	Dp1	Second	B7	Dn2	Second
A7	Dn1	Second	B6	Dp2	Second
A8	SBU1	Second	B5	CC2	Second
A9	Vbus	First	B4	Vbus	First
A12	GND	First	B1	GND	First
SHELL	GND		SHELL	GND	



**Specifications**

**Material**

Insulator: LCP, E130i, UL 94V-0, Black  
Contact: Copper Alloy, C18400-H, T=0.12mm  
Shell: Stainless steel, SUS304-1/2H, T=0.30mm  
Mid Plate: Stainless Steel, SUS301-3/4H, T=0.15mm

**Plating**

**Terminal:**

Contact Area: See Ordering Grid  
Solder Tails: Gold Flash  
Underplating: 50µ" Min. Nickel All Over  
Shell: 30µ" Min. Nickel

**Electrical**

Current Rating: 5.00A collectively for Vbus pins  
6.25A collectively for GND pins  
1.25A for B5 pin  
0.25A per pin for all other pins

Voltage Rating: 20V DC

Contact Resistance: 40mΩ max initial.  
50mΩ max after test

Dielectric Withstanding Voltage: 100V AC  
Insulation Resistance 100MΩ min

**Mechanical & Environmental**

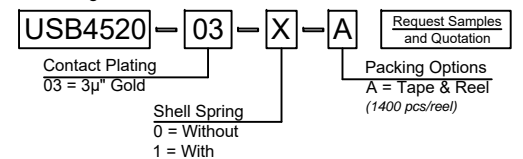
Operating Temperature: -25°C to +85°C

Mating Force: 5 to 20 N.

Unmated Force: 6 to 20 N after test

Durability: 10,000 cycles

**Ordering Grid**



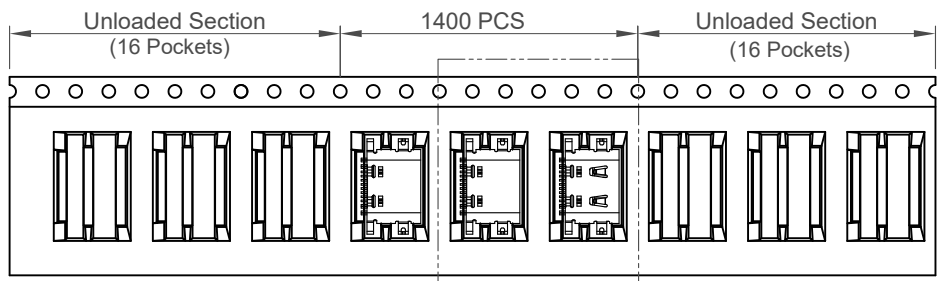
Part Number		Product Description	
USB4520		USB Type C Receptacle for USB 2.0, SMT Type, Mid Mount, 2.1mm Offset	
Drawing Date		1st July 2021	
By	CC	Tolerances (Except as Noted)	Units:
Detail	Drawing Release	Length	Metric (mm)
Revision	A	Angle	
Date	01/07/21	X.X ± 0.30	
		X.XX ± 0.20	
		X.XXX ± 0.10	



This drawing is confidential and copyright of Global Connector Technology, Ltd (GCT). This drawing must not be copied or disclosed without written consent. E & OE



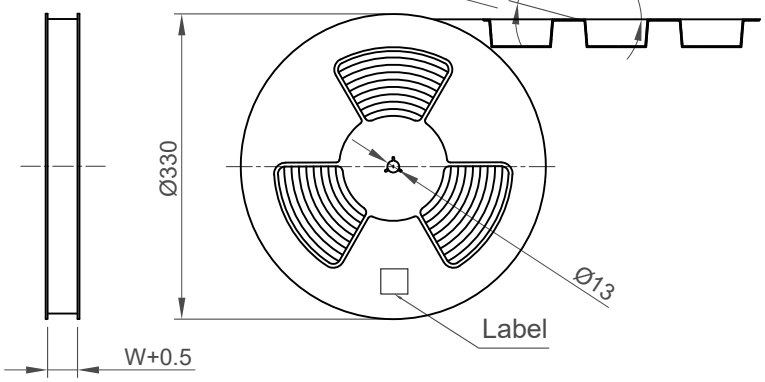
Not to Scale Drawn By CC Sheet No. 1/2



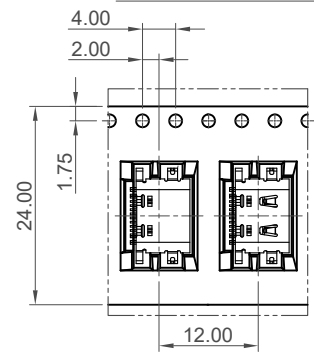
Direction of Unreeling

Detail E

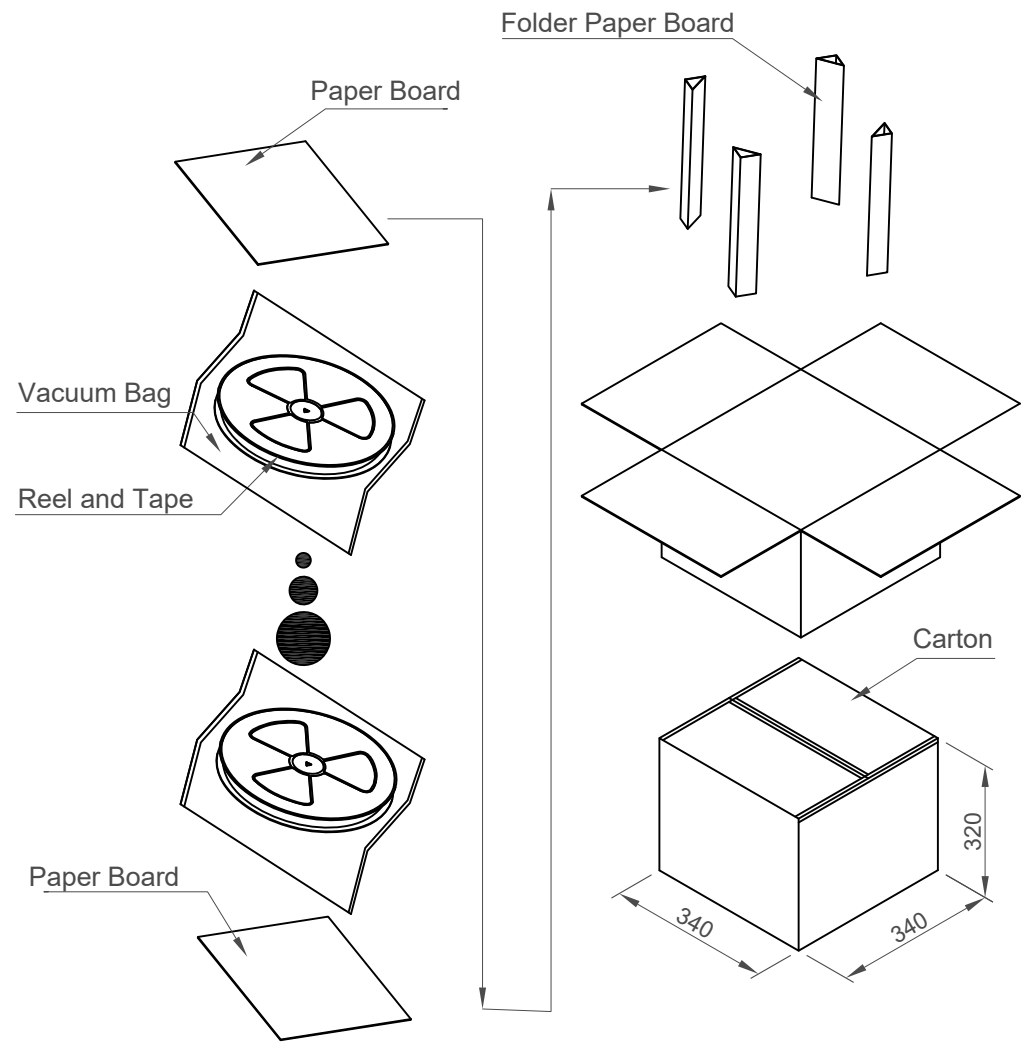
Peeling Angle 165°~180°



Direction of Unreeling



Detail: E



Pcs / Reel	Reels / Carton	Total Quantity
1400	10	14000 pcs

Part Number		Product Description	
USB4520		USB Type C Receptacle for USB 2.0, SMT Type, Mid Mount, 2.1mm Offset	
Drawing Date		1st July 2021	
By	CC	Tolerances (Except as Noted)	Units:
Detail	Drawing Release	Length	Metric (mm)
Revision	A	Angle	
Date	01/07/21		



This drawing is confidential and copyright of Global Connector Technology, Ltd (GCT). This drawing must not be copied or disclosed without written consent. E & OE



Not to Scale	Drawn By CC	Sheet No. 2/2
--------------	-------------	---------------