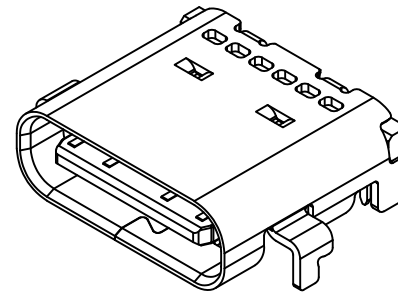


Pin	Signal	Mating Sequence	Pin	Signal	Mating Sequence
A1	GND	First	B12	GND	First
A2	SSTXp1	Second	B11	SSRXp1	Second
A3	SSTXn1	Second	B10	SSRXn1	Second
A4	Vbus	First	B9	Vbus	First
A5	CC1	Second	B8	SBU2	Second
A6	Dp1	Second	B7	Dn2	Second
A7	Dn1	Second	B6	Dp2	Second
A8	SBU1	Second	B5	CC2	Second
A9	Vbus	First	B4	Vbus	First
A10	SSRXn2	Second	B3	SSTXn2	Second
A11	SSRXp2	Second	B2	SSTXp2	Second
A12	GND	First	B1	GND	First
SHELL		GND	SHELL		GND



Specifications

Material

Insulator: LCP, UL 94V-0, Black
 Contact: Copper Alloy
 Mid Plate: Stainless Steel
 EMI Plate: Stainless Steel
 Shell: Stainless Steel

Plating

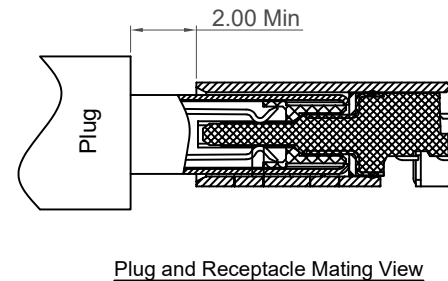
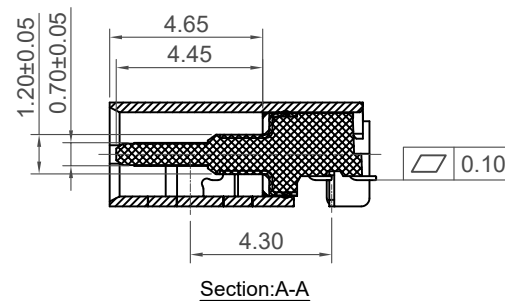
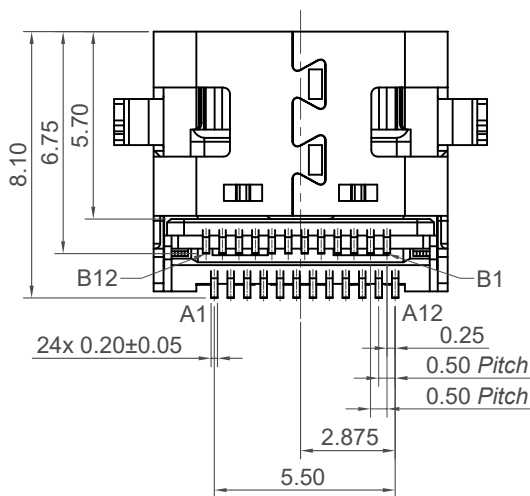
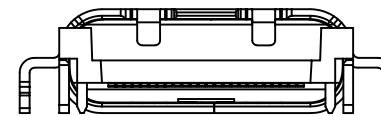
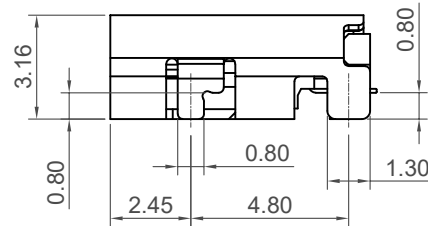
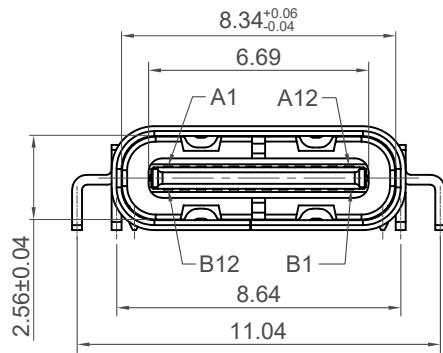
Terminal
 Contact Area: See Ordering Grid
 Solder Tails: Gold Flash
 Underplating: 50µ" Min. Nickel Over All
 Shell: 30µ" min. Nickel
 Mid Plate: 50µ" min Sn over 30µ" min. Nickel
 EMI Plate: Clear

Electrical

Current Rating: 5.00A collectively for Vbus pins
 6.25A collectively for GND pins
 1.25A for A5/B5 pin
 0.25A per pin for all other pins
 Voltage Rating: 48V DC
 Power Rating: 240W
 Contact Resistance: 40mΩ max initial.
 50mΩ max after test
 Dielectric Withstanding Voltage: 100V AC
 Insulation Resistance 100MΩ min

Mechanical & Environmental

Operating Temperature: -25°C to +85°C
 Mating Force: 5 to 20 N.
 Unmated Force: 6 to 20 N after test
 Durability: 20,000 cycles



Ordering Grid

USB4525 - 03 - A Request Samples and Quotation

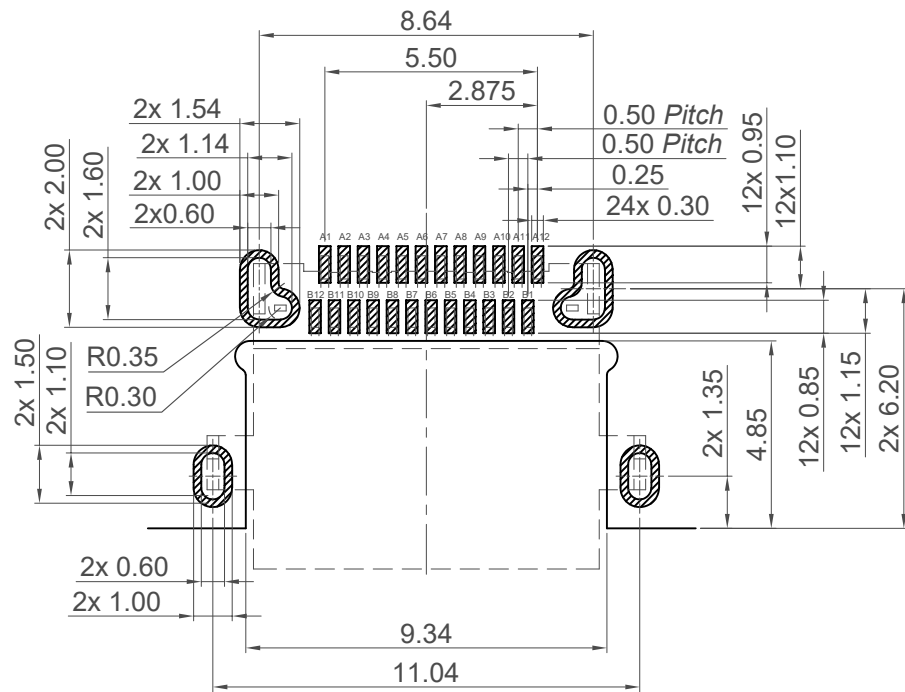
Contact Plating: 03 = 3µ" Gold Packing Options: A = Tape & Reel (900pcs/Reel)

Part Number		Product Description	
USB4525		USB3.2 Gen 2 Type C Receptacle, Dual Row SMT, Horizontal, Mid Mount, 0.8mm Offset, 24 Pin	
Drawing Date		8th July 2022	
By	KY	Tolerances (Except as Noted)	Units: Metric (mm)
Detail	Drawing Release	X.X ± 0.30	
Revision	A2	X.XX ± 0.25	
Date	13/09/24	X.XXX ± 0.10	

This drawing is confidential and copyright of Global Connector Technology, Ltd (GCT). This drawing must not be copied or disclosed without written consent. E & OE

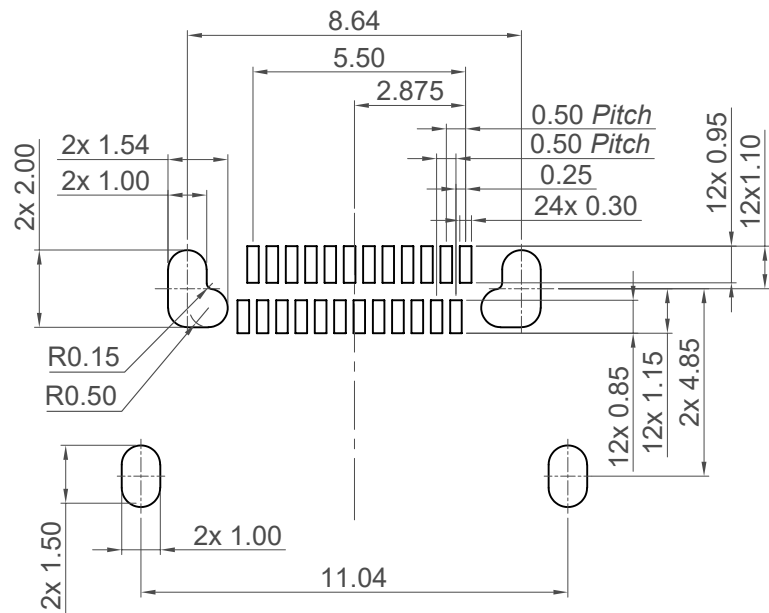


Not to Scale	Drawn By CC	Sheet No. 1/3
--------------	-------------	---------------



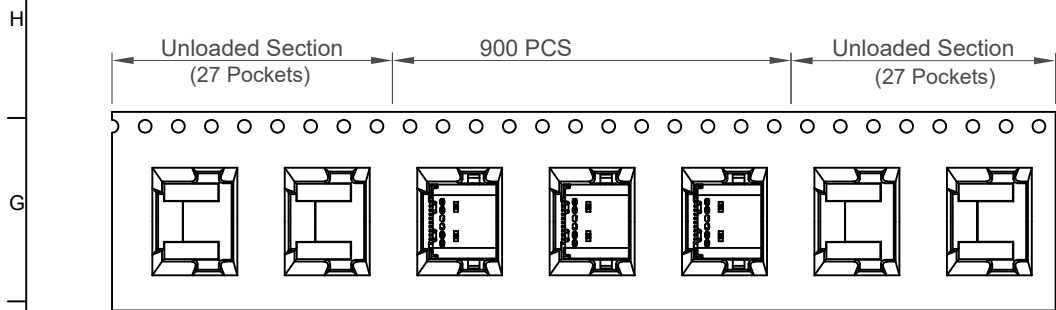
Recommended PCB Layout
As viewed from component side Tolerance:±0.05mm

Solder Area Component Outline

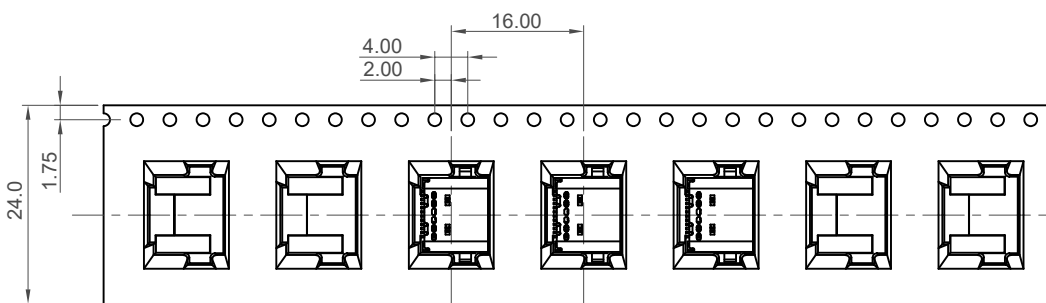
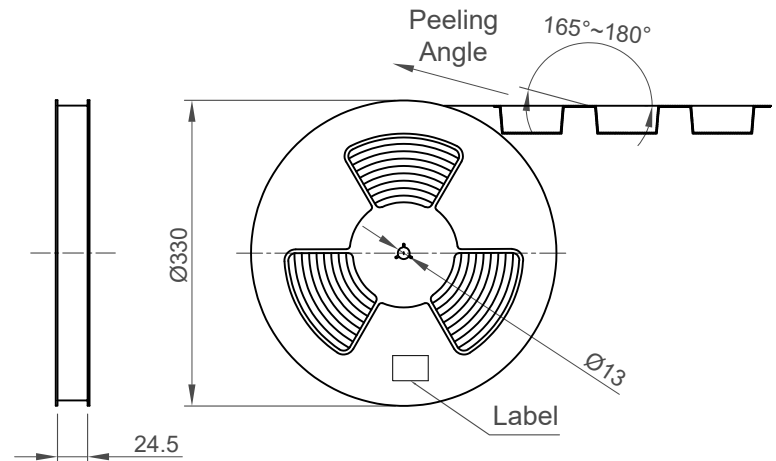


Recommended Solder mask
Thickness = 0.12mm
Tolerance:±0.05mm

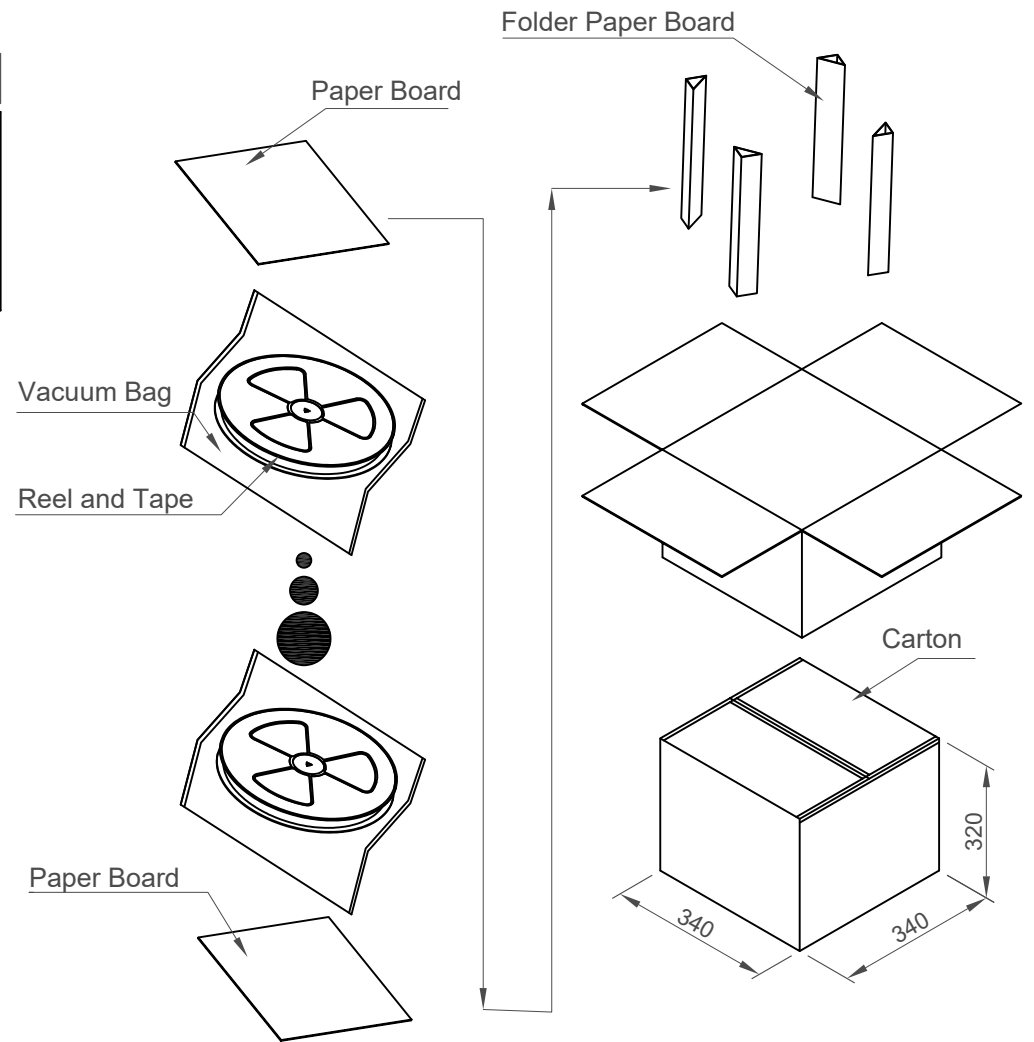
Part Number		Product Description		GCT www.gct.co
USB4525		USB3.2 Gen 2 Type C Receptacle, Dual Row SMT, Horizontal, Mid Mount, 0.8mm Offset, 24 Pin		
Drawing Date		8th July 2022		
By	KY	Tolerances (Except as Noted)	Units:	RoHS COMPLIANT 2011/REU Decal This drawing is confidential and copyright of Global Connector Technology, Ltd (GCT). This drawing must not be copied or disclosed without written consent. E & OE
Detail	Drawing Release	Length	Metric (mm)	
Revision	A2	X.X ± 0.30	-	
Date	13/09/24	X.XX ± 0.25	-	
		X.XXX ± 0.10	-	
Not to Scale		Drawn By	CC	Sheet No. 2/3



Direction of Unreeling →



Direction of Unreeling →



Pcs / Reel	Reels / Carton	Total Quantity
900	10	9000 pcs

Part Number		Product Description	
USB4525		USB3.2 Gen 2 Type C Receptacle, Dual Row SMT, Horizontal, Mid Mount, 0.8mm Offset, 24 Pin	
Drawing Date		8th July 2022	
By	KY	Tolerances (Except as Noted)	Units:
Detail	Drawing Release	Length	Metric (mm)
Revision	A2	Angle	3rd Angle Projection
Date	13/09/24	X.X ± 0.30	
		X.XX ± 0.25	
		X.XXX ± 0.10	



This drawing is confidential and copyright of Global Connector Technology, Ltd (GCT). This drawing must not be copied or disclosed without written consent. E & OE



Not to Scale	Drawn By CC	Sheet No. 3/3
--------------	-------------	---------------