

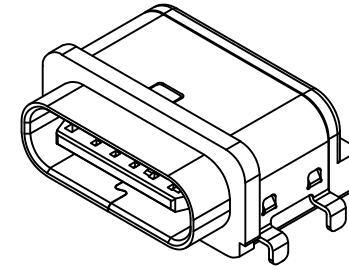
**Recommended PCB Layout**

Thickness 0.80±0.10mm

Tolerance: ±0.05mm

■ Solder Area □ Component Outline

Pin	Signal	Mating Sequence
A5	CC1	Second
A9	Vbus	First
A12	GND	First
B5	CC2	Second
B9	Vbus	First
B12	GND	First
SHELL	GND	



**Specifications**

**Material**

Insulator: LCP, UL 94V-0, Black

Contact: Copper Alloy

Shell: Stainless Steel

Shielding Plate: Stainless Steel

Gasket: Silicone Rubber, Part No.: USBTJ-04,

Shore Hardness 60A

(Gasket+Connector can be ordered separately or together as a KIT)

**Plating**

Contact

Contact Area: Gold Flash

Solder Tails: Tin over Nickel

Shell: Nickel

Shielding Plate: Nickel

**Electrical**

Current Rating: 3.00A collectively for Vbus pins

4.25A collectively for GND pins

1.25A for A5/B5 pin

Voltage Rating: 48V DC

Contact Resistance: 40mΩ max initial.

50mΩ max after test

Dielectric Withstanding Voltage: 100V AC

Insulation Resistance 100MΩ min

**Mechanical & Environmental**

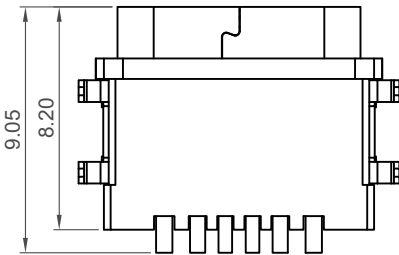
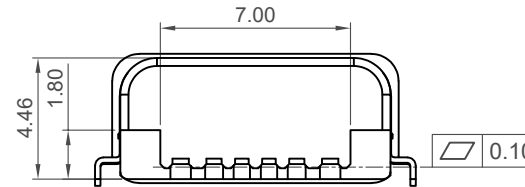
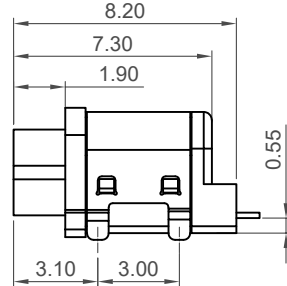
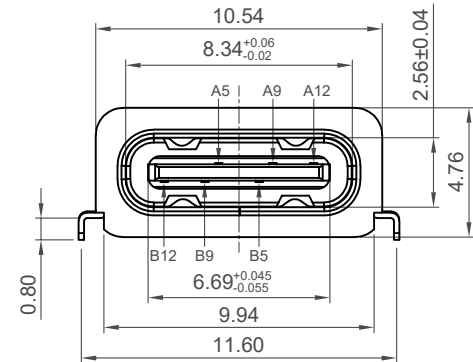
Operating Temperature: -30°C to +85°C

Mating Force: 5 to 20 N.

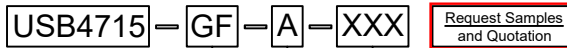
Unmated Force: 6 to 20 N after test

Durability: 20,000 cycles

Ingress Protection Rating: IP67



**Ordering Grid**



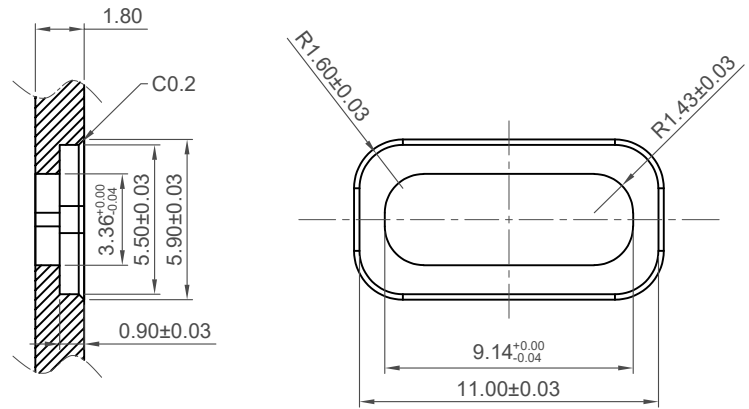
**Contact Plating**  
GF = Gold Flash

**Packing Options**  
A = Tape & Reel (700 per reel)

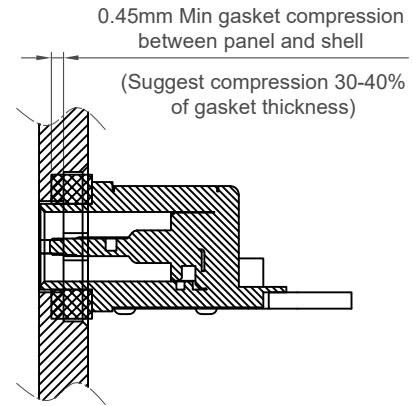
**Gasket Options**

KIT = Includes Gasket: USBTJ-04  
Blank = Connector Only (Without gasket)

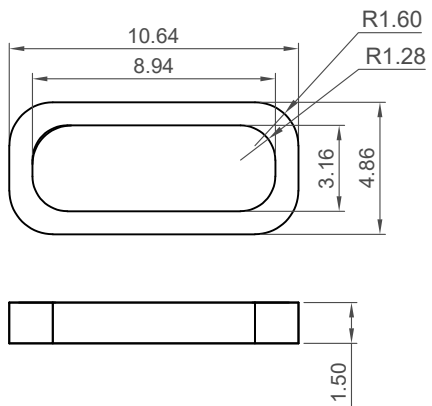
Part Number		Product Description		 <b>www.gct.co</b>			
USB4715		Type C Receptacle, Horizontal, Mid-Mount, SMT, IP67, For Power Charging Only, 6 Pin					
Drawing Date		4th July 2022					
By	KY	Tolerances (Except as Noted)	Units:	  <small>This drawing is confidential and copyright of Global Connector Technology, Ltd (GCT). This drawing must not be copied or disclosed without written consent. E &amp; OE</small>			
Detail	Drawing Release	Length	Angle				
Revision	A5	X.X ± 0.30					
Date	02/09/24	X.XX ± 0.25					
		X.XXX ± 0.10		 <small>3rd Angle Projection</small>			
				<table border="1" style="width: 100%; border-collapse: collapse;"> <tr> <td style="width: 33%;">Not to Scale</td> <td style="width: 33%;">Drawn By CC</td> <td style="width: 33%;">Sheet No. 1/4</td> </tr> </table>	Not to Scale	Drawn By CC	Sheet No. 1/4
Not to Scale	Drawn By CC	Sheet No. 1/4					



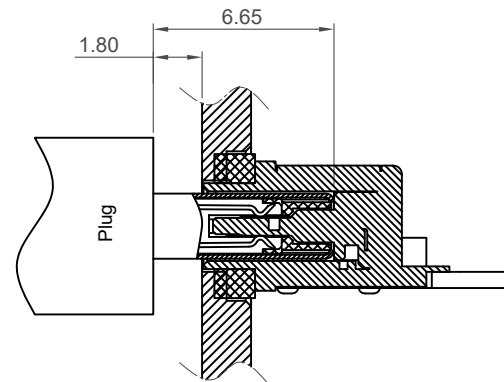
Recommended Panel Spec






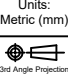
(Suggest compression 30-40% of gasket thickness)

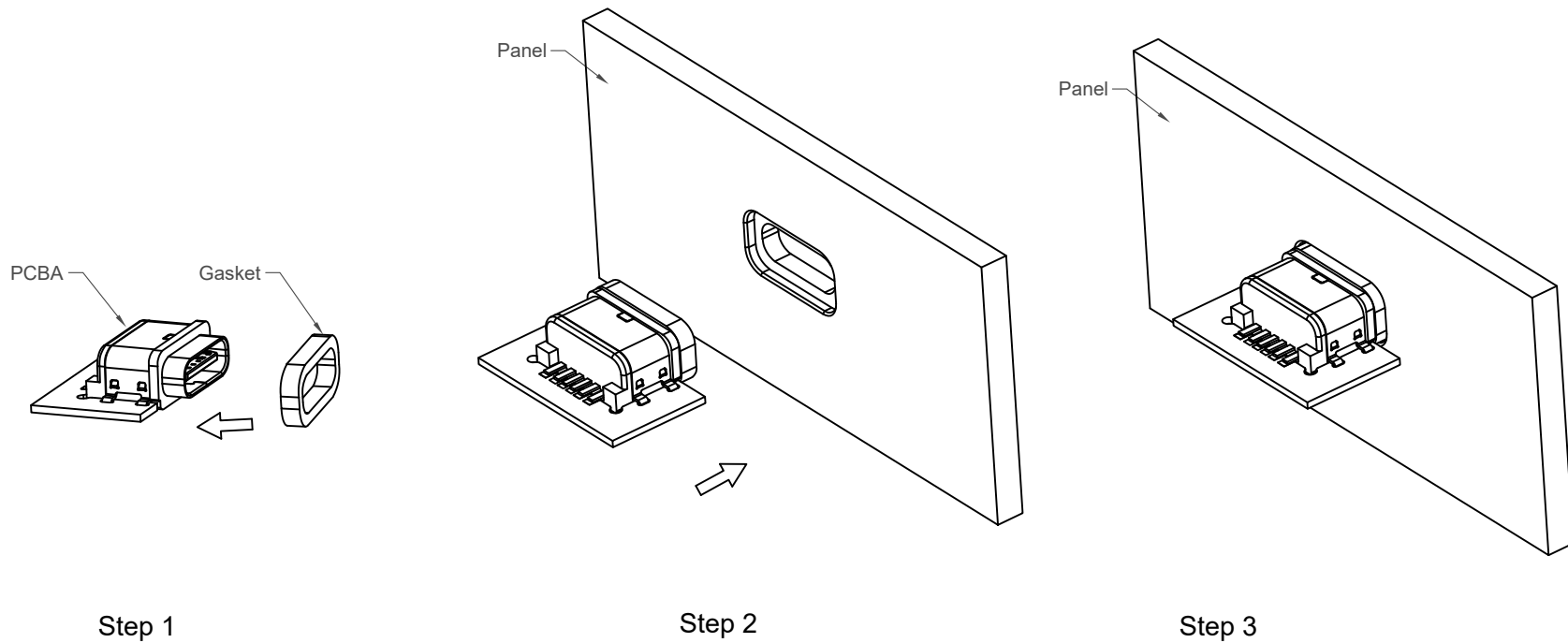


Recommended Waterproof Gasket  
 Gasket Part No.: USBTJ-04  
 (Gasket+Connector can be ordered separately  
 or together as a KIT)  
 (See separate datasheet for specification)



Plug and Receptacle Mating View

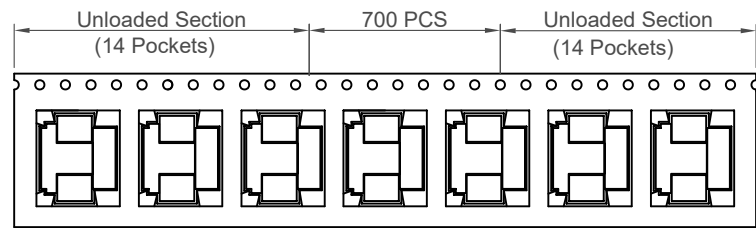
Part Number		Product Description		 <a href="http://www.gct.co">www.gct.co</a>
USB4715		Type C Receptacle, Horizontal, Mid-Mount, SMT, IP67, For Power Charging Only, 6 Pin		
Drawing Date		4th July 2022		
By		KY		
Detail	Drawing Release	Tolerances (Except as Noted)	Units:	  <small>This drawing is confidential and copyright of Global Connector Technology, Ltd (GCT). This drawing must not be copied or disclosed without written consent. E &amp; OE</small>
Revision	A5	Length	Metric (mm)	
Date	02/09/24	Angle		
		X.X ± 0.30		
		X.XX ± 0.25		
		X.XXX ± 0.10		
				<small>Not to Scale</small>
		<small>Deca-SIDE</small>		<small>Drawn By</small> <small>CC</small>
				<small>Sheet No.</small> <small>2/4</small>



Assembly instruction for Gasket set after Reflow  
 Available for Type C Receptacle Waterproof Series

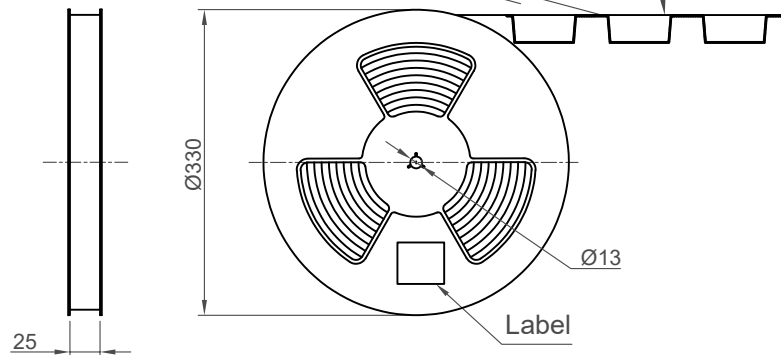
Part Number		Product Description	
USB4715		Type C Receptacle, Horizontal, Mid-Mount, SMT, IP67, For Power Charging Only, 6 Pin	
Drawing Date		4th July 2022	
By	KY	Tolerances (Except as Noted)	Units:
Detail	Drawing Release	Length	Metric (mm)
Revision	A5	X.X ± 0.30	 3rd Angle Projection
Date	02/09/24	X.XX ± 0.25	
		X.XXX ± 0.10	
		 This drawing is confidential and copyright of Global Connector Technology, Ltd (GCT). This drawing must not be copied or disclosed without written consent. E & OE	
Not to Scale	Drawn By	CC	Sheet No.
			3/4



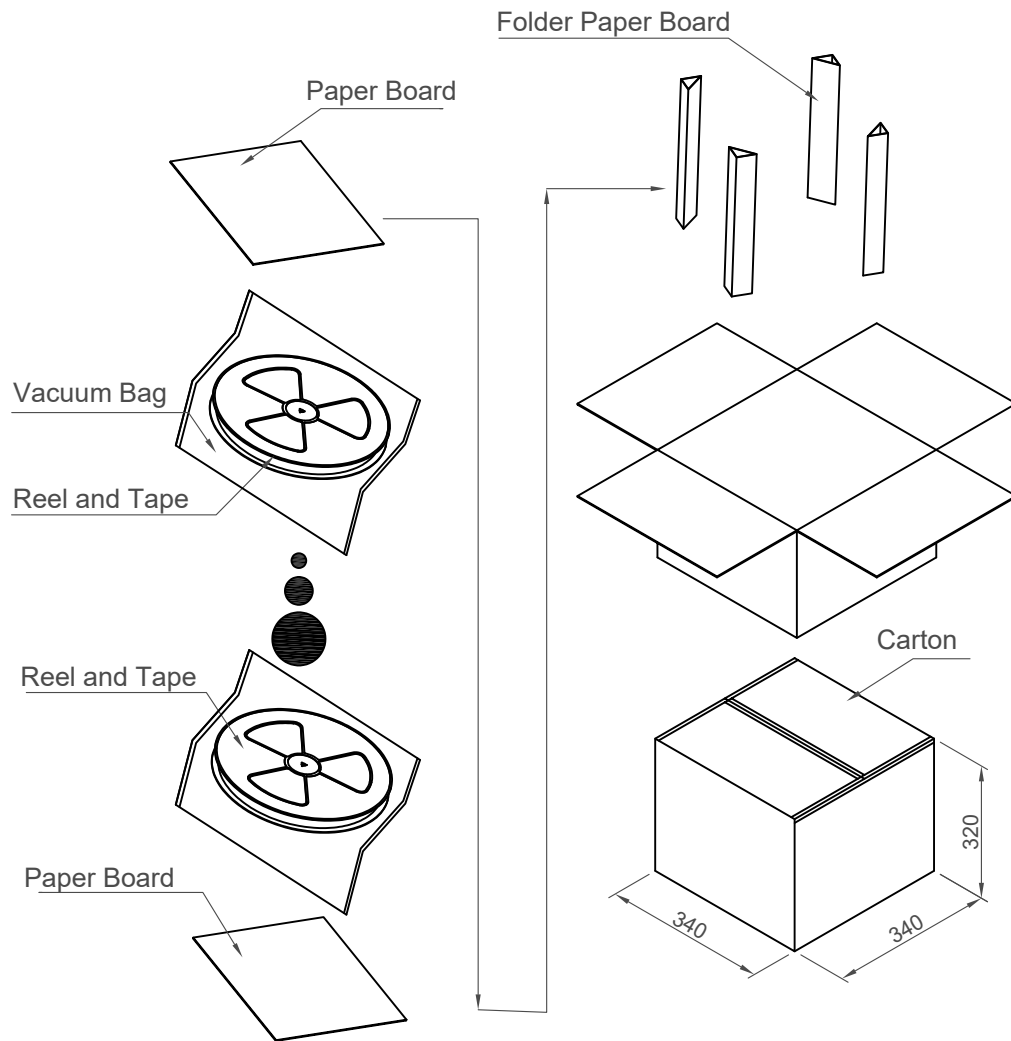
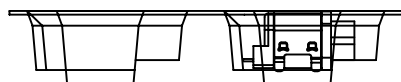
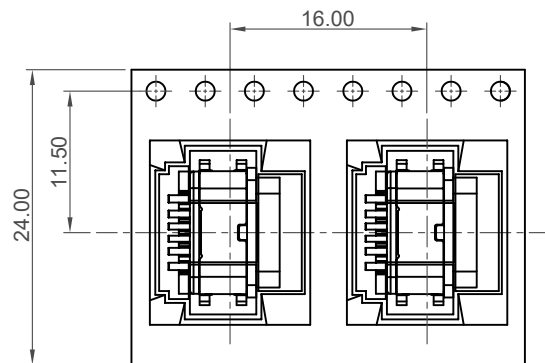


Direction of Unreeling

Peeling Angle 165°~180°



Direction of Unreeling



Pcs / Reel	Reels / Carton	Total Quantity
700	10	7,000 pcs

Part Number		Product Description	
USB4715		Type C Receptacle, Horizontal, Mid-Mount, SMT, IP67, For Power Charging Only, 6 Pin	
Drawing Date		4th July 2022	
By	KY	Tolerances (Except as Noted)	Units:
Detail	Drawing Release	Length	Metric (mm)
Revision	A5	Angle	
Date	02/09/24		



This drawing is confidential and copyright of Global Connector Technology, Ltd (GCT). This drawing must not be copied or disclosed without written consent. E & OE



Not to Scale	Drawn By CC	Sheet No. 4/4
--------------	-------------	---------------