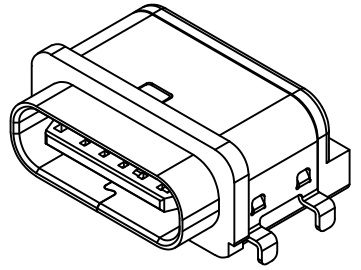


Recommended PCB Layout
 Thickness 0.80±0.10mm
 Tolerance: ±0.05mm
 Solder Area Component Outline

Pin	Signal	Mating Sequence
A5	CC1	Second
A9	Vbus	First
A12	GND	First
B5	CC2	Second
B9	Vbus	First
B12	GND	First
SHELL	GND	



Specifications

Material
 Insulator: LCP, UL 94V-0, Black
 Contact: Copper Alloy
 Shell: Stainless Steel
 Shielding Plate: Stainless Steel
 Gasket: Silicone Rubber, Part No.: USBTJ-04, Shore Hardness 60A
(Gasket+Connector can be ordered separately or together as a KIT)

Plating

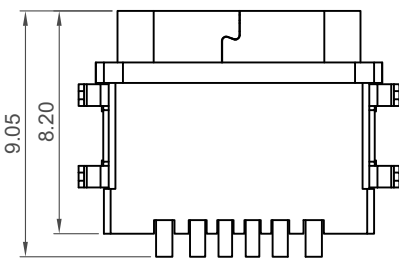
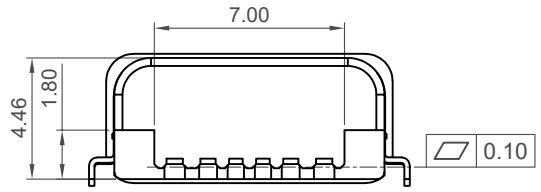
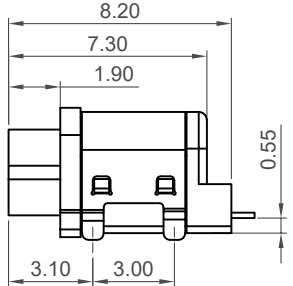
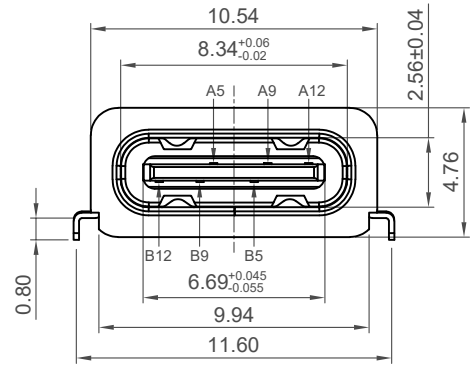
Contact
 Contact Area: Gold Flash
 Solder Tails: Tin over Nickel
Shell: Nickel
Shielding Plate: Nickel

Electrical

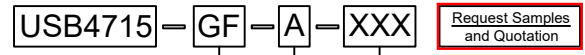
Current Rating: 3.00A collectively for Vbus pins
 4.25A collectively for GND pins
 1.25A for A5/B5 pin
Voltage Rating: 20V DC
Contact Resistance: 40mΩ max initial
 50mΩ max after test
Dielectric Withstanding Voltage: 100V AC
Insulation Resistance: 100MΩ min

Mechanical & Environmental

Operating Temperature: -30°C to +85°C
Mating Force: 5 to 20 N
Unmated Force: 6 to 20 N after test
Durability: 20,000 cycles
Ingress Protection Rating: IP67



Ordering Grid

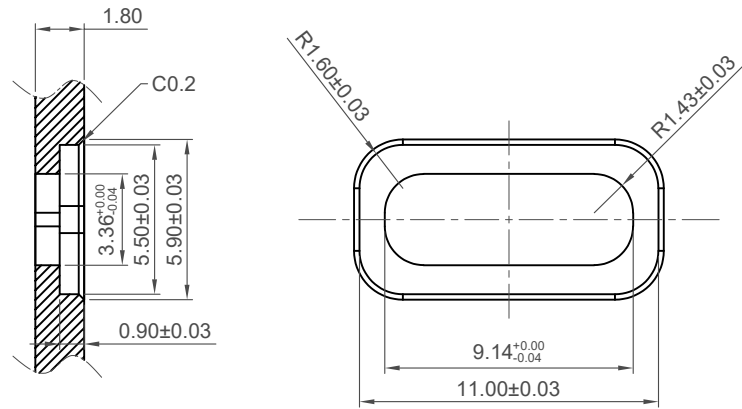


Contact Plating
 GF = Gold Flash

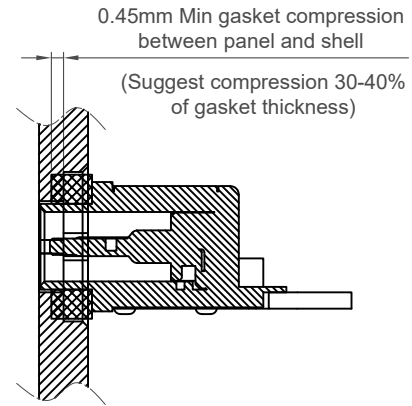
Packing Options
 A = Tape & Reel (700 per reel)

Gasket Options
 KIT = Includes Gasket: USBTJ-04
 Blank = Connector Only (Without gasket)

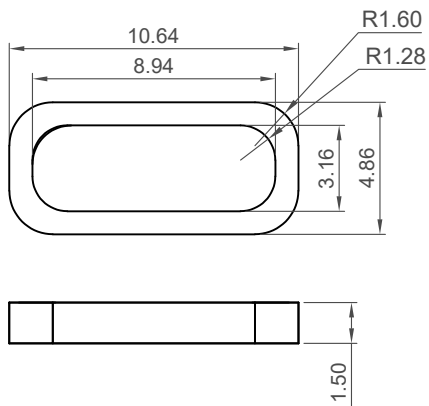
Part Number		Product Description		
USB4715		Type C Receptacle, Horizontal, Mid-Mount, SMT, IP67, For Power Charging Only, 6 Pin		
Drawing Date		4th July 2022		
By	KY	Tolerances (Except as Noted)	Units:	
Detail	Drawing Release	Length	Metric (mm)	
Revision	A4	Angle		
Date	30/07/24	X.X ± 0.30 X.XX ± 0.25 X.XXX ± 0.10	3rd Angle Projection	
		This drawing is confidential and copyright of Global Connector Technology, Ltd (GCT). This drawing must not be copied or disclosed without written consent. E & OE		
Not to Scale	Drawn By	Sheet No.		
	CC	1/4		



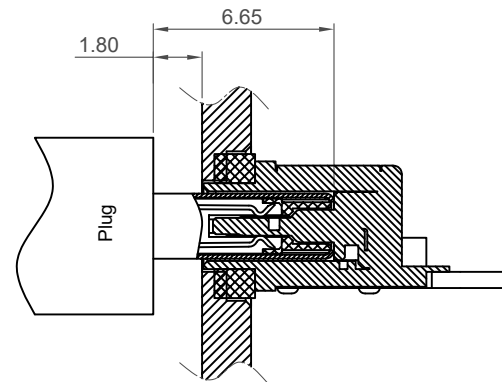
Recommended Panel Spec



(Suggest compression 30-40% of gasket thickness)

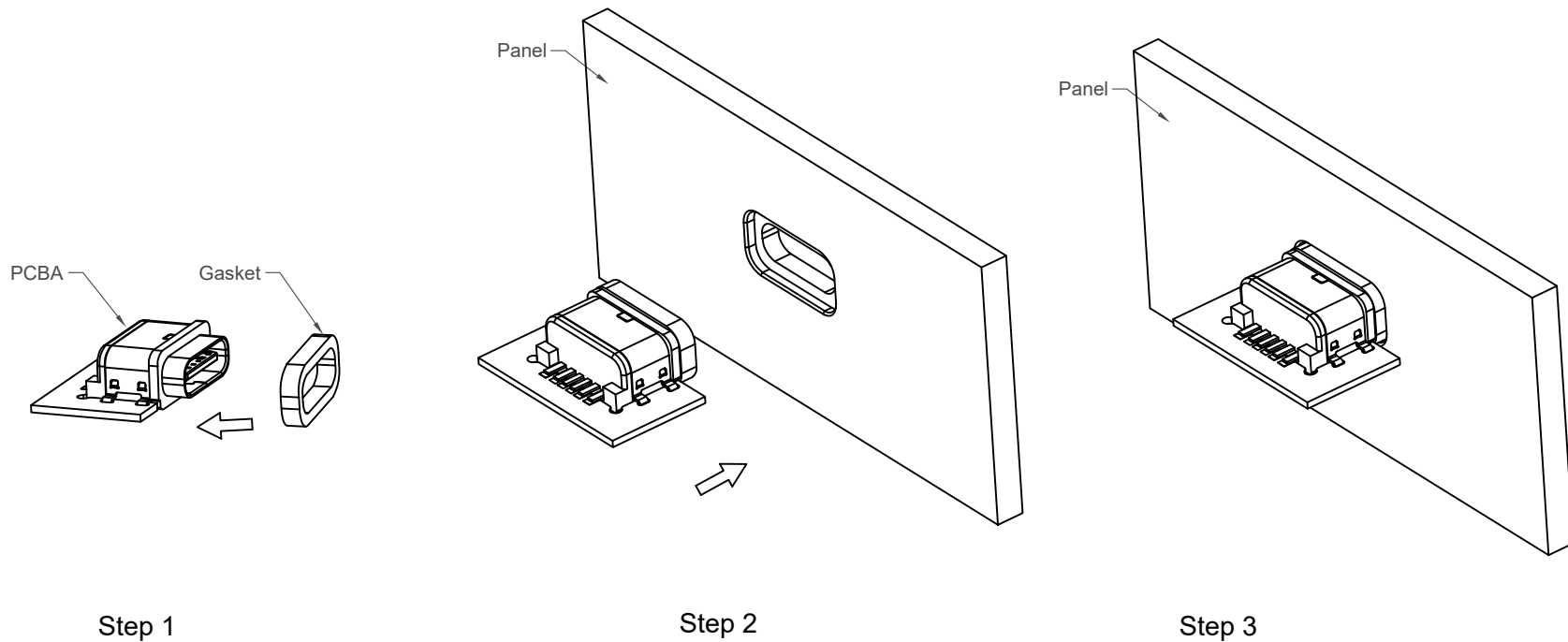


Recommended Waterproof Gasket
Gasket Part No.: USBTJ-04
(Gasket+Connector can be ordered separately
or together as a KIT)
(See separate datasheet for specification)



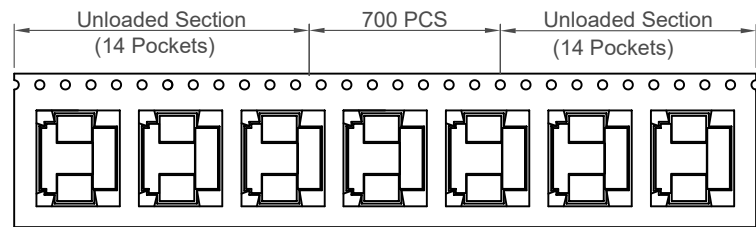
Plug and Receptacle Mating View

Part Number		Product Description		 GCT www.gct.co
USB4715		Type C Receptacle, Horizontal, Mid-Mount, SMT, IP67, For Power Charging Only, 6 Pin		
Drawing Date		4th July 2022		
By		KY		
Detail	Drawing Release	Tolerances (Except as Noted)	Units:	 <small>This drawing is confidential and copyright of Global Connector Technology, Ltd (GCT). This drawing must not be copied or disclosed without written consent. E & OE</small>
Revision	A4	Length	Metric (mm)	
Date	30/07/24	Angle	3rd Angle Projection	
		X.X ± 0.30 X.XX ± 0.25 X.XXX ± 0.10		
Not to Scale	Drawn By	Sheet No.		
	CC	2/4		



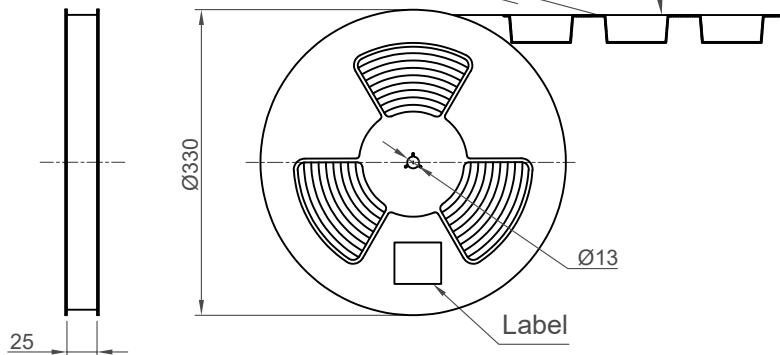
Assembly instruction for Gasket set after Reflow
 Available for Type C Receptacle Waterproof Series

Part Number		Product Description	
USB4715		Type C Receptacle, Horizontal, Mid-Mount, SMT, IP67, For Power Charging Only, 6 Pin	
Drawing Date		4th July 2022	
By	KY	Tolerances (Except as Noted)	Units:
Detail	Drawing Release	Length	Metric (mm)
Revision	A4	X.X ± 0.30	
Date	30/07/24	X.XX ± 0.25	
		X.XXX ± 0.10	 3rd Angle Projection
		This drawing is confidential and copyright of Global Connector Technology, Ltd (GCT). This drawing must not be copied or disclosed without written consent. E & OE	
		 www.gct.co	
		Not to Scale	Drawn By CC
		Sheet No. 3/4	

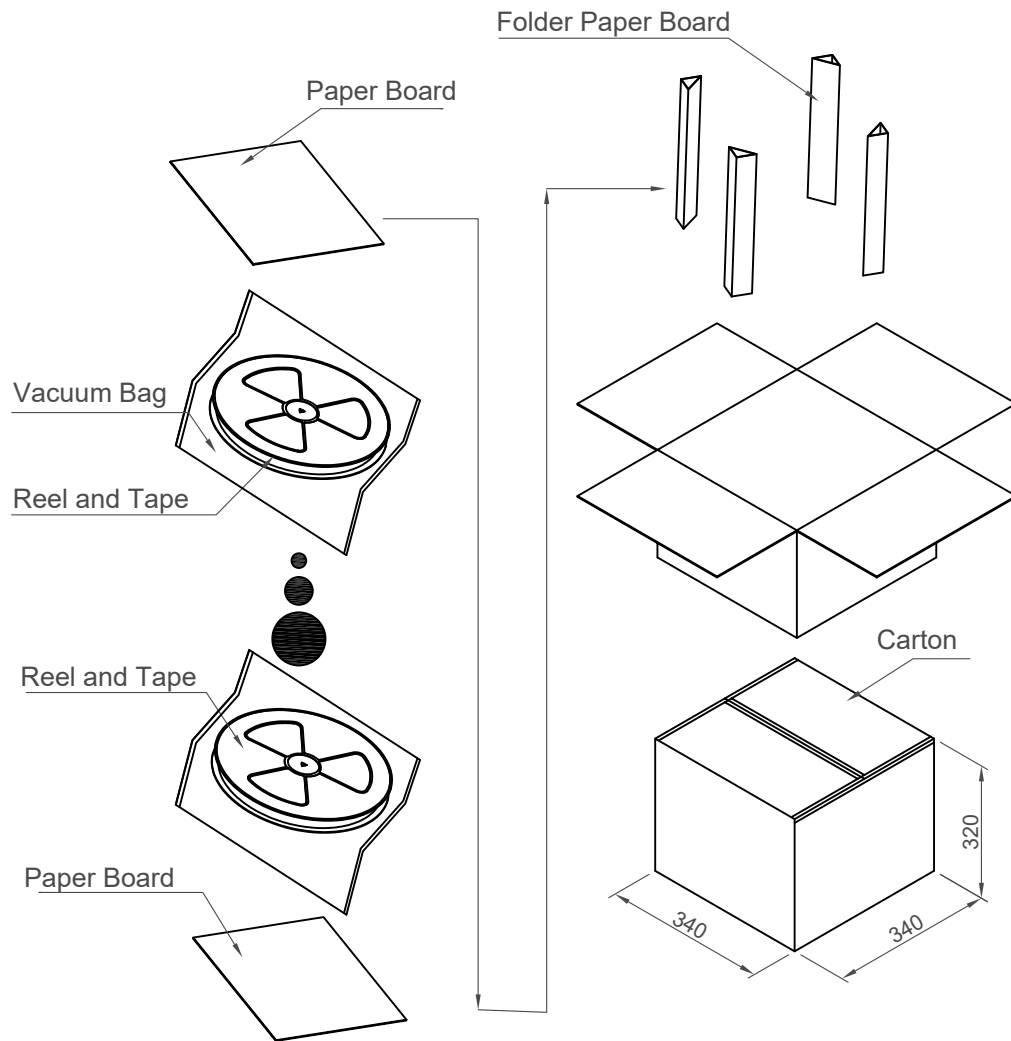
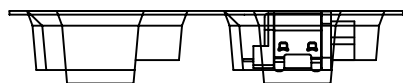
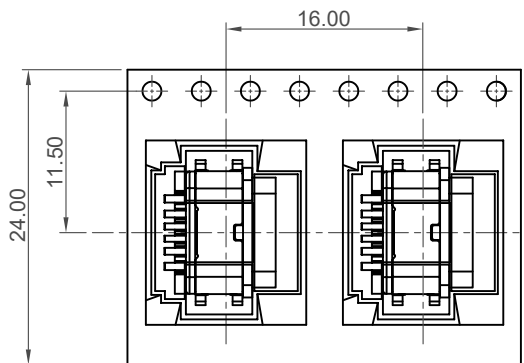


Direction of Unreeling

Peeling Angle 165°~180°



Direction of Unreeling



Pcs / Reel	Reels / Carton	Total Quantity
700	10	7,000 pcs

Part Number		Product Description	
USB4715		Type C Receptacle, Horizontal, Mid-Mount, SMT, IP67, For Power Charging Only, 6 Pin	
Drawing Date		4th July 2022	
By	KY	Tolerances (Except as Noted)	Units:
Detail	Drawing Release	Length	Metric (mm)
Revision	A4	Angle	3rd Angle Projection
Date	30/07/24		



This drawing is confidential and copyright of Global Connector Technology, Ltd (GCT). This drawing must not be copied or disclosed without written consent. E & OE



Not to Scale | Drawn By CC | Sheet No. 4/4