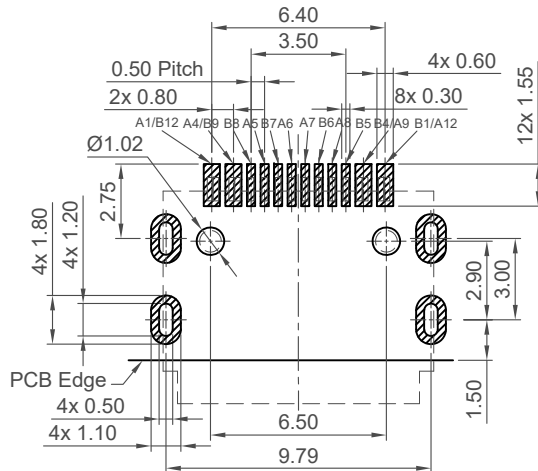
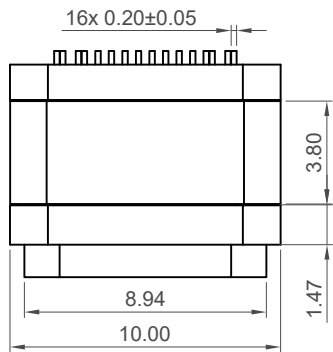
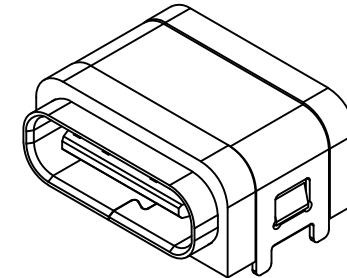


H
G
F
E
D
C
B
A



Recommended PCB Layout
Thickness 1.20±0.10mm
Tolerance: ±0.05mm
Solder Area Component Outline

Pin	Signal	Mating Sequence	Pin	Signal	Mating Sequence
A1	GND	First	B12	GND	First
A4	Vbus	First	B9	Vbus	First
A5	CC1	Second	B8	SBU2	Second
A6	Dp1	Second	B7	Dn2	Second
A7	Dn1	Second	B6	Dp2	Second
A8	SBU1	Second	B5	CC2	Second
A9	Vbus	First	B4	Vbus	First
A12	GND	First	B1	GND	First
SHELL	GND		SHELL	GND	



Specifications

Material

Insulator: LCP, UL 94V-0, Black
Contact: Copper Alloy
Shell: Stainless Steel
Mid Plate: Stainless Steel
Gasket: Silicone Rubber, Part No.: USBTJ-04, Shore Hardness 60A
(Gasket+Connector can be ordered separately or together as a KIT)

Plating

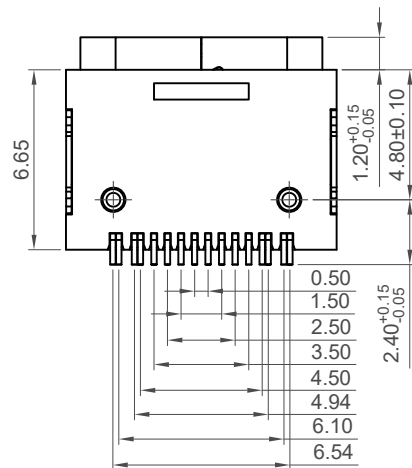
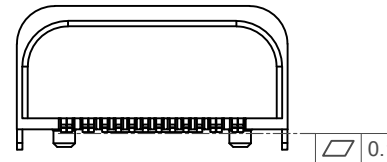
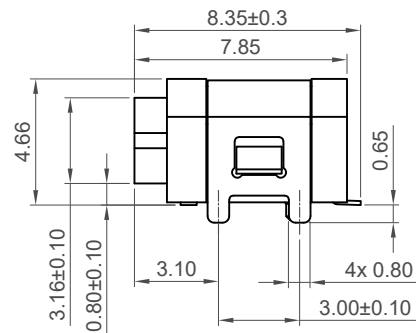
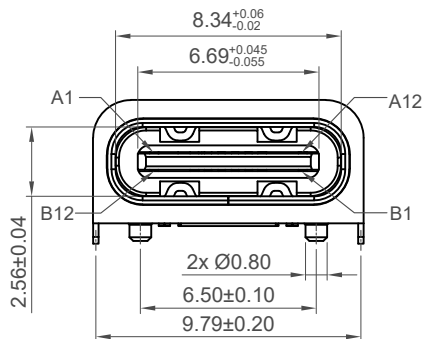
Contact
Contact Area: Gold Flash
Solder Tails: Gold Flash
Underplating: 30µ" min. Nickel
Shell: 40µ" min. Nickel
Mid Plate: Clear

Electrical

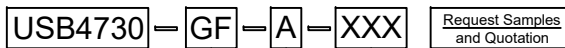
Current Rating: 5.00A collectively for Vbus pins
6.25A collectively for GND pins
1.25A for A5/B5 pin
0.25A per pin for all others pins
Voltage Rating: 48V DC
Power Rating: 240W
Contact Resistance: 40mΩ max initial.
50mΩ max after test
Dielectric Withstanding Voltage: 100V AC
Insulation Resistance 100MΩ min

Mechanical & Environmental

Operating Temperature: -30°C to +85°C
Mating Force: 5 to 20 N
Unmated Force: 6 to 20 N after test
Durability: 20,000 cycles
Ingress Protection Rating: IP67



Ordering Grid



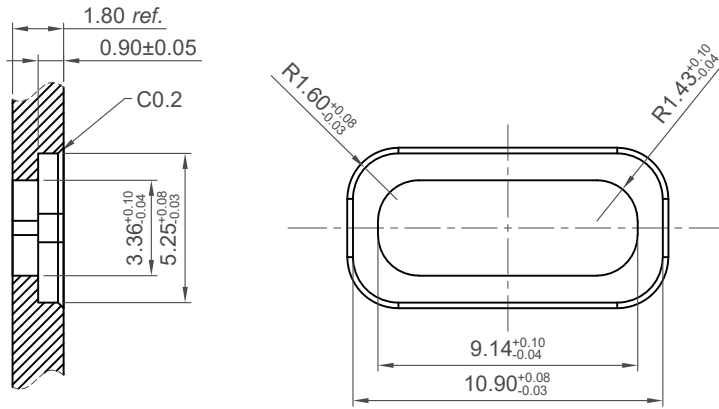
Contact Plating
GF = Gold Flash

Packing Options
A = Tape & Reel (600 per reel)

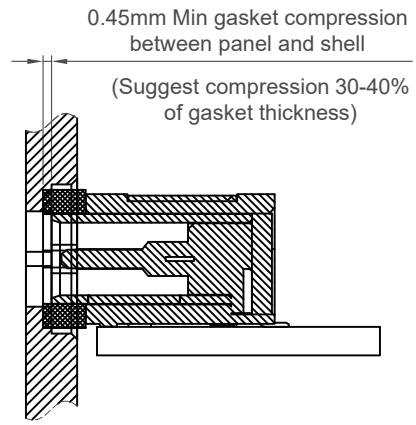
Gasket Options
KIT = Includes Gasket: USBTJ-04
Blank = Connector Only (Without gasket)

Part Number USB4730		Product Description Type C Receptacle For USB2.0, SMT Type, Top Mount Horizontal, IP67, 16 Pin				This drawing is confidential and copyright of Global Connector Technology, Ltd (GCT). This drawing must not be copied or disclosed without written consent. E & OE	Not to Scale Drawn By CC Sheet No. 1/4
Drawing Date 21st November 2023							
By	CC	Tolerances (Except as Noted)	Units:				
Detail	Drawing Release	Length X.X ± 0.20	Angle X.XX ± 0.15	Metric (mm)			
Revision	A1	X.XXX ± 0.15	-	3rd Angle Projection			
Date	09/07/24	X.XXX ± 0.10					

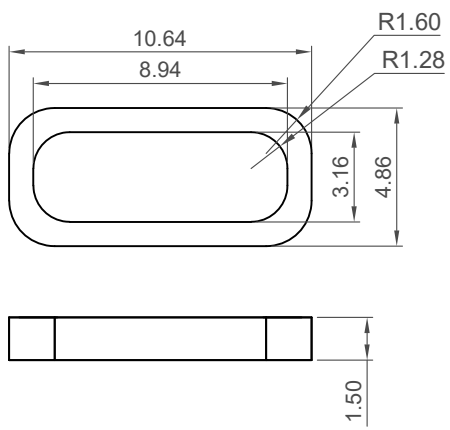




Recommended Panel Spec

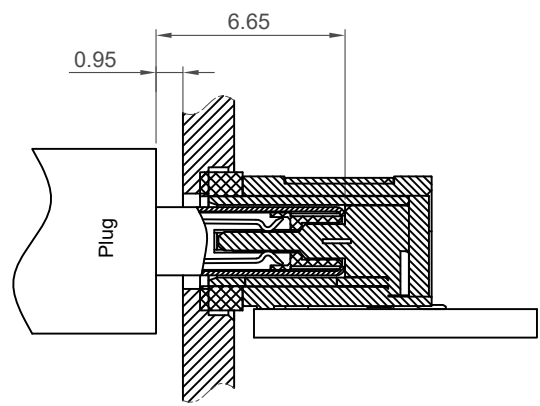


(Suggest compression 30-40% of gasket thickness)



Recommended Waterproof Gasket
Gasket Part No.: USBTJ-04

*(Gasket+Connector can be ordered separately or together as a KIT)
(See separate datasheet for specification)*

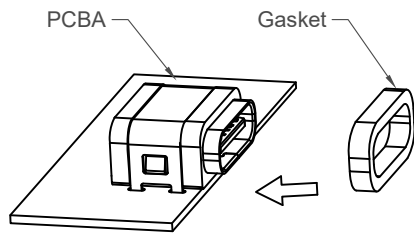


Plug and Receptacle Mating View

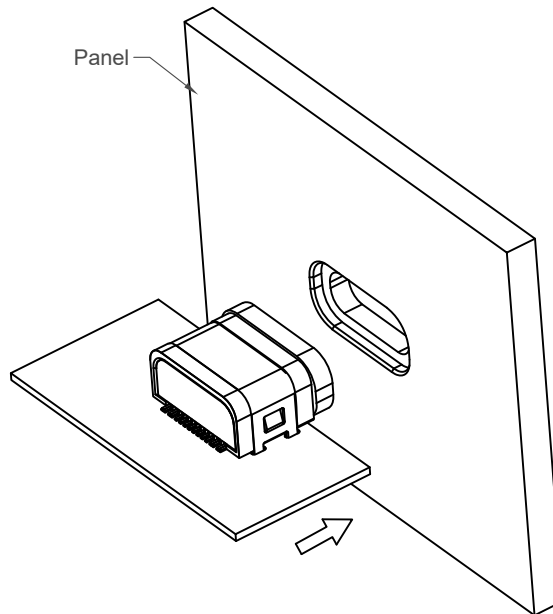
Part Number		Product Description				This drawing is confidential and copyright of Global Connector Technology, Ltd (GCT). This drawing must not be copied or disclosed without written consent. E & OE
USB4730		Type C Receptacle For USB2.0, SMT Type, Top Mount Horizontal, IP67, 16 Pin				
Drawing Date		21st November 2023				
By	CC	Tolerances (Except as Noted)	Units:			
Detail	Drawing Release	Length	Metric (mm)			
Revision	A1	Angle				
Date	09/07/24	X.X ± 0.20				
		X.XX ± 0.15				
		X.XXX ± 0.10				



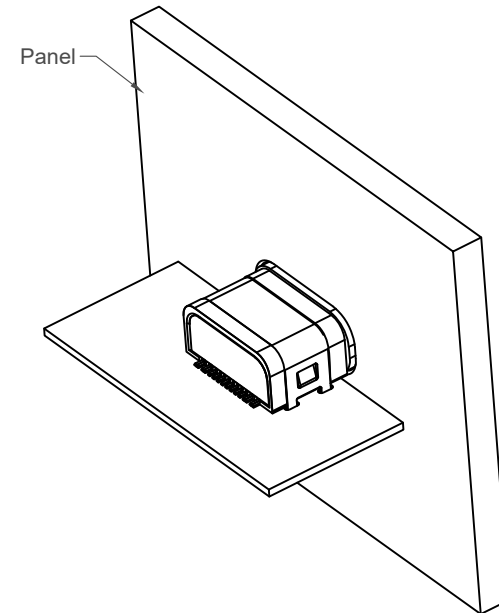
Not to Scale	Drawn By CC	Sheet No. 2/4
--------------	----------------	------------------



Step 1



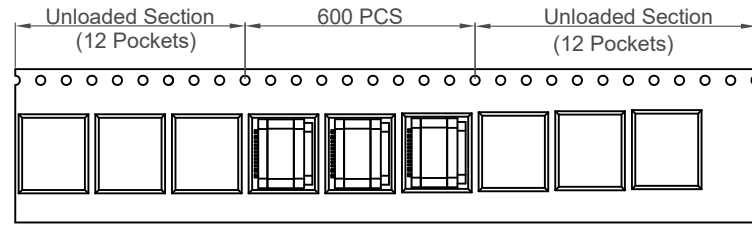
Step 2



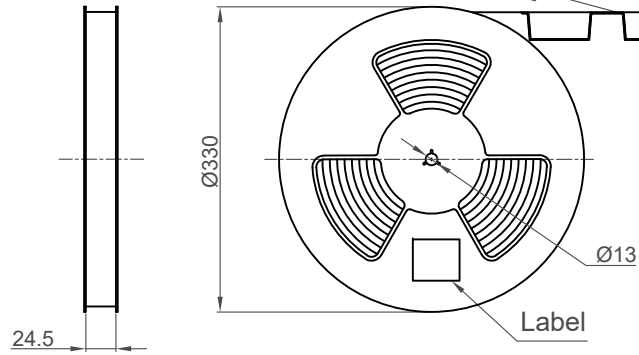
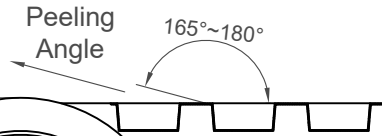
Step 3

Assembly instruction for Gasket set after Reflow
 Available for Type C Receptacle Waterproof Series

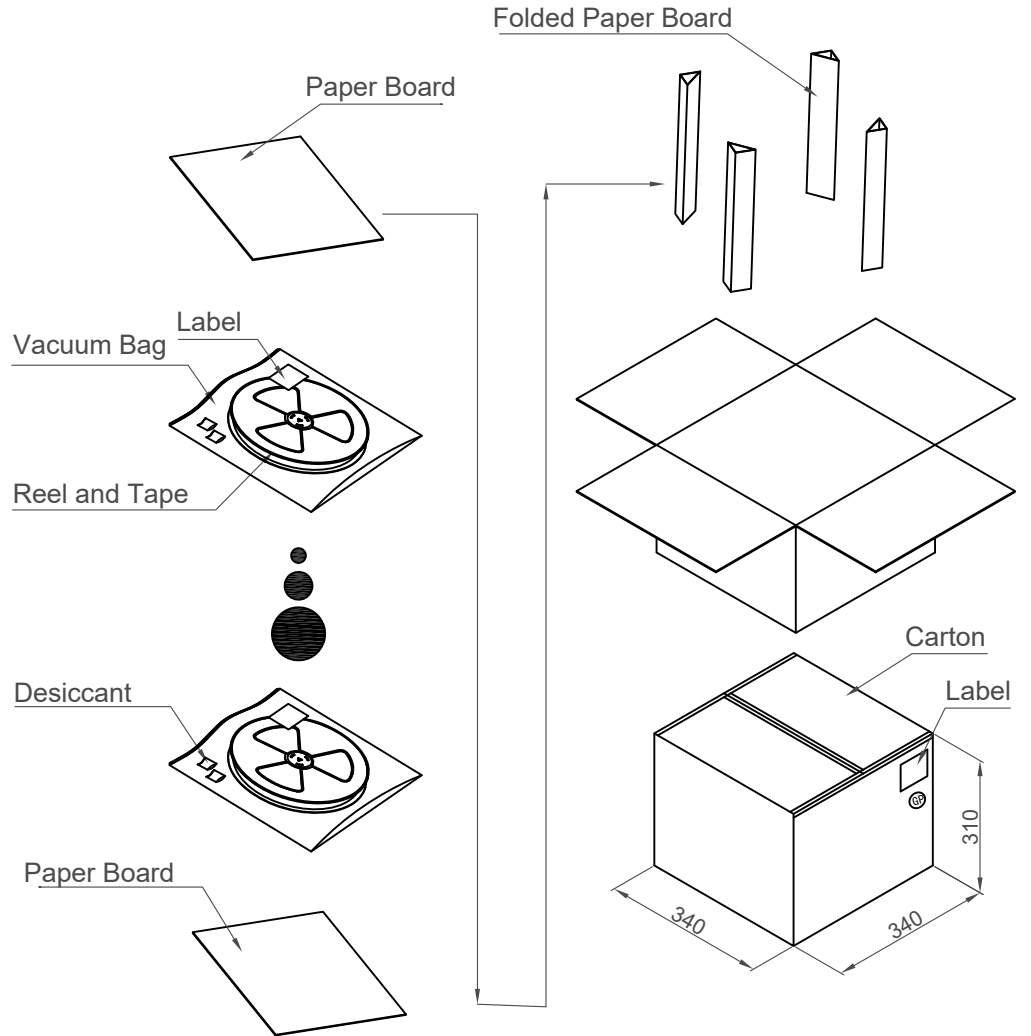
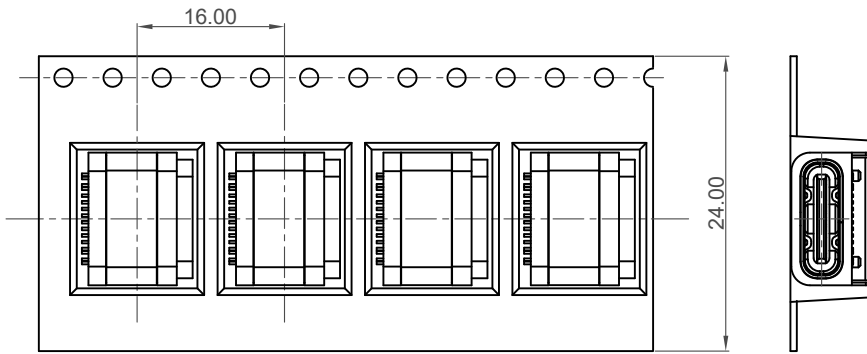
Part Number		Product Description	
USB4730		Type C Receptacle For USB2.0, SMT Type, Top Mount	
Drawing Date		Horizontal, IP67, 16 Pin	
21st November 2023			
By	CC	Tolerances (Except as Noted)	Units:
Detail	Drawing Release	Length	Metric (mm)
Revision	A1	X.X ± 0.20	
Date	09/07/24	X.XX ± 0.15	
		X.XXX ± 0.10	
		This drawing is confidential and copyright of Global Connector Technology, Ltd (GCT). This drawing must not be copied or disclosed without written consent. E & OE	
		www.gct.co	
Not to Scale	Drawn By CC	Sheet No. 3/4	



Direction of Unreeling



Direction of Unreeling



Pcs / Reel	Reels / Carton	Total Quantity
600	10	6,000 pcs

Part Number		Product Description	
USB4730		Type C Receptacle For USB2.0, SMT Type, Top Mount	
Drawing Date		Horizontal, IP67, 16 Pin	
21st November 2023			
By	CC	Tolerances (Except as Noted)	Units:
Detail	Drawing Release	Length	Metric (mm)
Revision	A1	X.X ± 0.20	
Date	09/07/24	X.XX ± 0.15	
		X.XXX ± 0.10	



This drawing is confidential and copyright of Global Connector Technology, Ltd (GCT). This drawing must not be copied or disclosed without written consent. E & OE



Not to Scale	Drawn By CC	Sheet No. 4/4
--------------	-------------	---------------