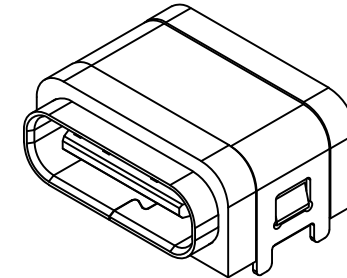


**Recommended PCB Layout**  
Thickness 1.20±0.10mm  
Tolerance: ±0.05mm

☐ Solder Area ☐ Component Outline

Pin	Signal	Mating Sequence	Pin	Signal	Mating Sequence
A1	GND	First	B12	GND	First
A4	Vbus	First	B9	Vbus	First
A5	CC1	Second	B8	SBU2	Second
A6	Dp1	Second	B7	Dn2	Second
A7	Dn1	Second	B6	Dp2	Second
A8	SBU1	Second	B5	CC2	Second
A9	Vbus	First	B4	Vbus	First
A12	GND	First	B1	GND	First
SHELL	GND		SHELL	GND	



### Specifications

#### Material

Insulator: LCP, UL 94V-0, Black

Contact: Copper Alloy

Shell: Stainless Steel

Mid Plate: Stainless Steel

Gasket: Silicone Rubber, Part No.: USBTJ-04,

Shore Hardness 60A

(Gasket+Connector can be ordered separately or together as a KIT)

#### Plating

##### Contact

Contact Area: Gold Flash

Solder Tails: Gold Flash

Underplating: 30µ" min. Nickel

Shell: 40µ" min. Nickel

Mid Plate: Clear

#### Electrical

Current Rating: 5.00A collectively for Vbus pins  
6.25A collectively for GND pins  
1.25A for A5/B5 pin  
0.25A per pin for all others pins

Voltage Rating: 48V DC

Power Rating: 240W

Contact Resistance: 40mΩ max initial.

50mΩ max after test

Dielectric Withstanding Voltage: 100V AC

Insulation Resistance 100MΩ min

#### Mechanical & Environmental

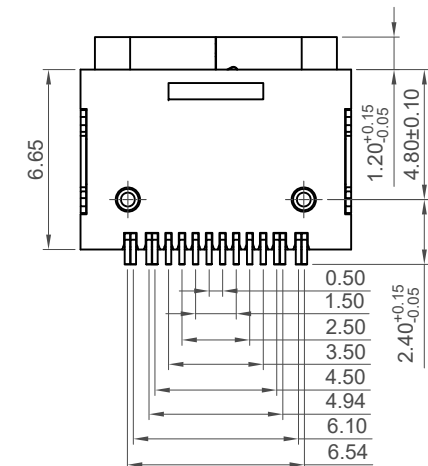
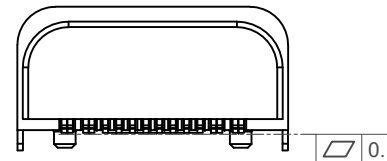
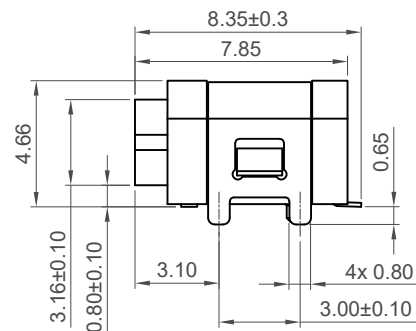
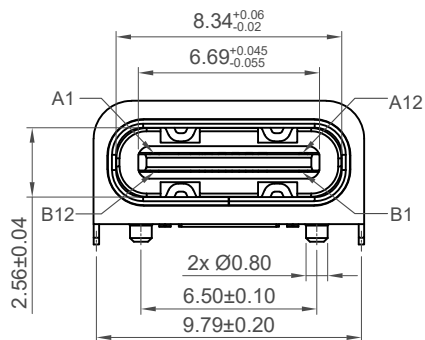
Operating Temperature: -30°C to +85°C

Mating Force: 5 to 20 N.

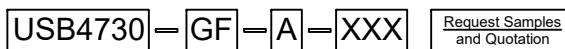
Unmated Force: 6 to 20 N after test

Durability: 20,000 cycles

Ingress Protection Rating: IP67



#### Ordering Grid



#### Contact Plating

GF = Gold Flash

#### Packing Options

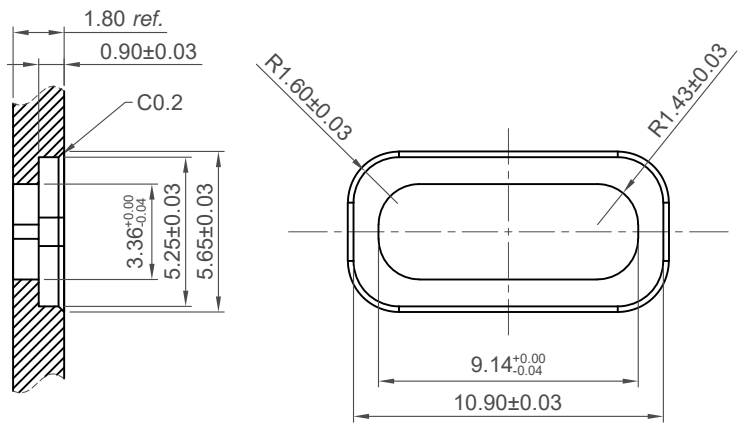
A = Tape & Reel (600 per reel)

#### Gasket Options

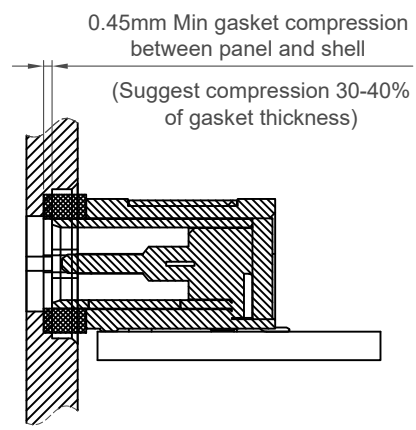
KIT = Includes Gasket: USBTJ-04

Blank = Connector Only (Without gasket)

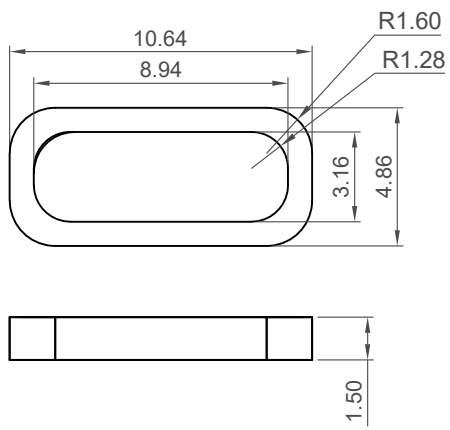
Part Number		Product Description			
USB4730		Type C Receptacle For USB2.0, SMT Type, Top Mount			
Drawing Date		Horizontal, IP67, 16 Pin			
21st November 2023					
By	CC	Tolerances (Except as Noted)	Units:	 This drawing is confidential and copyright of Global Connector Technology, Ltd (GCT). This drawing must not be copied or disclosed without written consent. E & OE	
Detail	Drawing Release	Length	Angle		
Revision	A	X.X ± 0.20	-		
Date	21/11/23	X.XX ± 0.15	X.XXX ± 0.10		
		3rd Angle Projection		 <a href="http://www.gct.co">www.gct.co</a>	
Not to Scale	Drawn By	CC	Sheet No.	1/4	



**Recommended Panel Spec**



(Suggest compression 30-40% of gasket thickness)

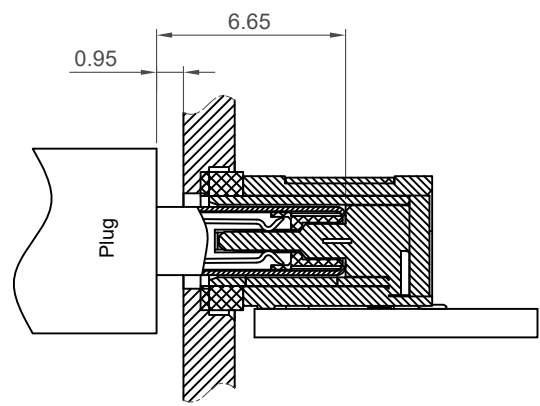


**Recommended Waterproof Gasket**

Gasket Part No.: USBTJ-04

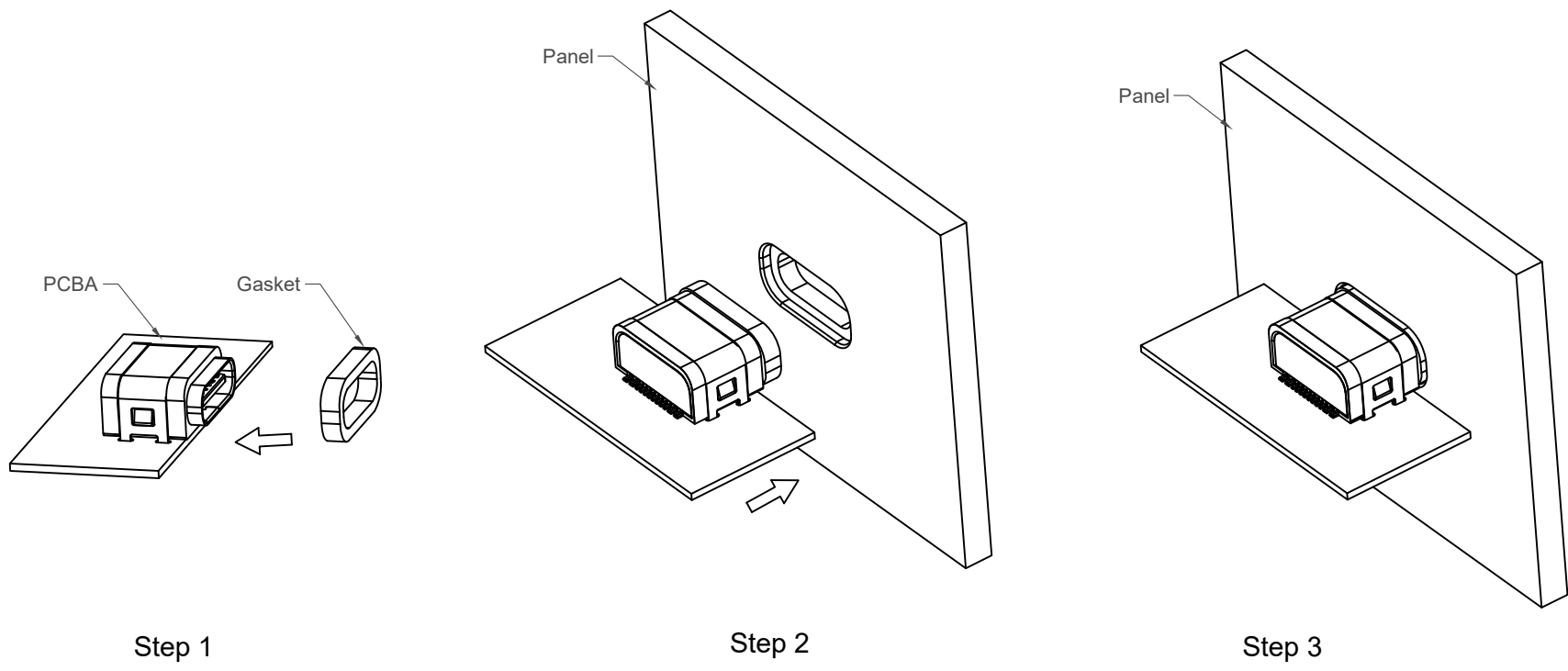
(Gasket+Connector can be ordered separately or together as a KIT)

(See separate datasheet for specification)



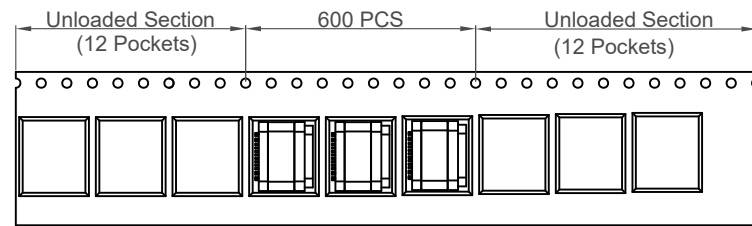
**Plug and Receptacle Mating View**

Part Number		Product Description			
USB4730		Type C Receptacle For USB2.0, SMT Type, Top Mount			
Drawing Date		Horizontal, IP67, 16 Pin			
21st November 2023					
By	CC	Tolerances (Except as Noted)	Units:	  <small>This drawing is confidential and copyright of Global Connector Technology, Ltd (GCT). This drawing must not be copied or disclosed without written consent. E &amp; OE</small>	
Detail	Drawing Release	Length	Angle		
Revision	A	X.X ± 0.20	-		
Date	21/11/23	X.XX ± 0.15			
		X.XXX ± 0.10			
				 <a href="http://www.gct.co">www.gct.co</a>	
				<small>Not to Scale</small>	
				<small>Drawn By</small> CC	
				<small>Sheet No.</small> 2/4	



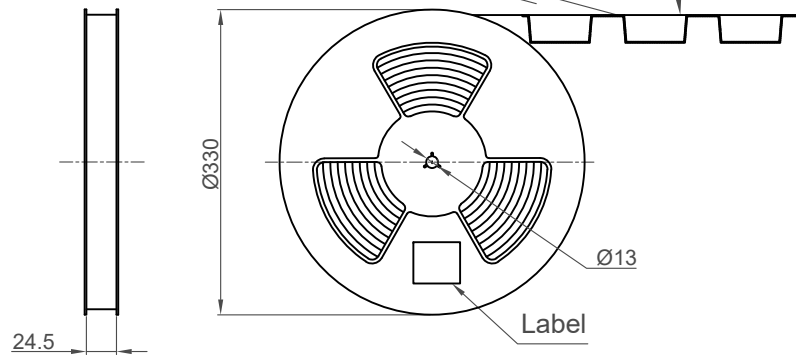
Assembly instruction for Gasket set after Reflow  
 Available for Type C Receptacle Waterproof Series

Part Number		Product Description	
USB4730		Type C Receptacle For USB2.0, SMT Type, Top Mount	
Drawing Date		Horizontal, IP67, 16 Pin	
21st November 2023			
By	CC	Tolerances (Except as Noted)	Units:
Detail	Drawing Release	Length	Metric (mm)
Revision	A	X.X ± 0.20	 
Date	21/11/23	X.XX ± 0.15	
		X.XXX ± 0.10	 <small>3rd Angle Projection</small>
		<small>This drawing is confidential and copyright of Global Connector Technology, Ltd (GCT). This drawing must not be copied or disclosed without written consent. E &amp; OE</small>	
		 <a href="http://www.gct.co">www.gct.co</a>	
		Not to Scale	Drawn By CC
		Sheet No. 3/4	

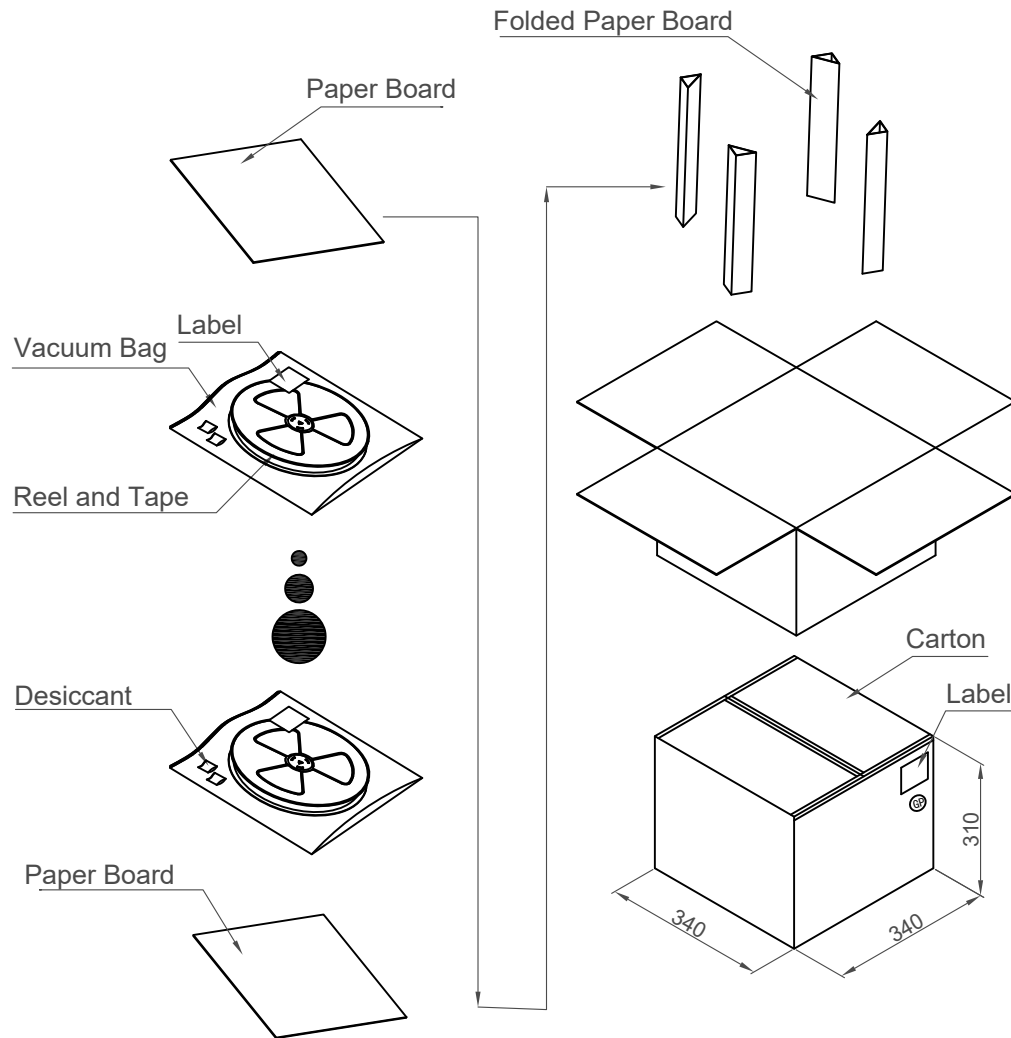
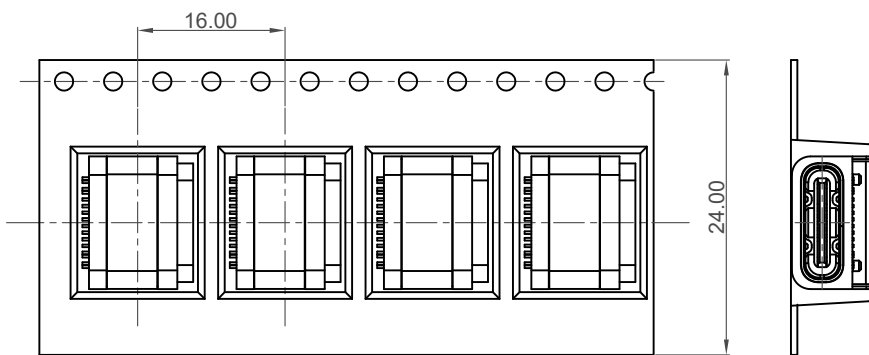


Direction of Unreeling

Peeling Angle 165°~180°



Direction of Unreeling



Pcs / Reel	Reels / Carton	Total Quantity
600	10	6,000 pcs

Part Number		Product Description	
USB4730		Type C Receptacle For USB2.0, SMT Type, Top Mount	
Drawing Date		Horizontal, IP67, 16 Pin	
21st November 2023			
By	CC	Tolerances (Except as Noted)	Units:
Detail	Drawing Release	Length	Metric (mm)
Revision	A	X.X ± 0.20	 3rd Angle Projection
Date	21/11/23	X.XX ± 0.15	
		X.XXX ± 0.10	



This drawing is confidential and copyright of Global Connector Technology, Ltd (GCT). This drawing must not be copied or disclosed without written consent. E & OE



Not to Scale | Drawn By CC | Sheet No. 4/4