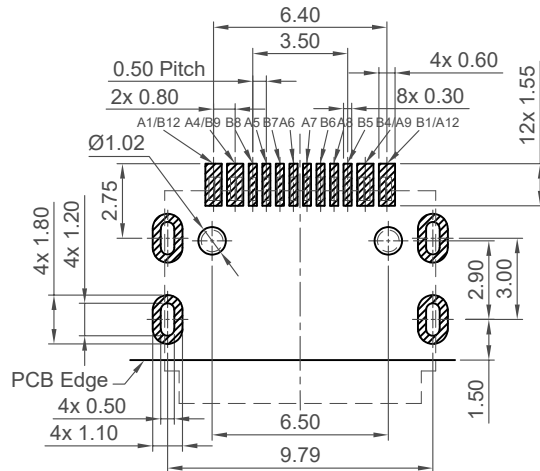
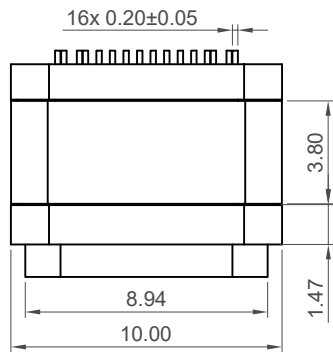
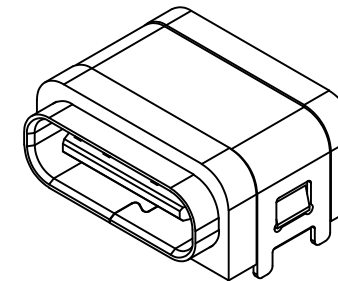


H
G
F
E
D
C
B
A



Recommended PCB Layout
 Thickness 1.20±0.10mm
 Tolerance: ±0.05mm
 Solder Area Component Outline

Pin	Signal	Mating Sequence	Pin	Signal	Mating Sequence
A1	GND	First	B12	GND	First
A4	Vbus	First	B9	Vbus	First
A5	CC1	Second	B8	SBU2	Second
A6	Dp1	Second	B7	Dn2	Second
A7	Dn1	Second	B6	Dp2	Second
A8	SBU1	Second	B5	CC2	Second
A9	Vbus	First	B4	Vbus	First
A12	GND	First	B1	GND	First
SHELL	GND		SHELL	GND	



Specifications

Material

Insulator: LCP, UL 94V-0, Black
 Contact: Copper Alloy
 Shell: Stainless Steel
 Mid Plate: Stainless Steel
 Gasket: Silicone Rubber, Part No.: USBTJ-04,
 Shore Hardness 60A
*(Gasket+Connector can be ordered separately
 or together as a KIT)*

Plating

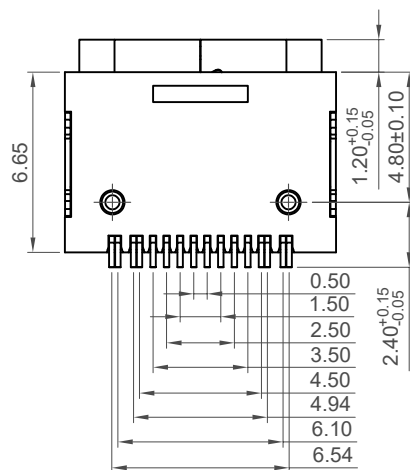
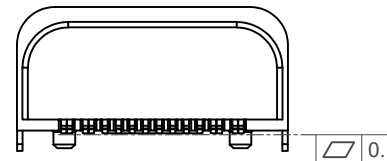
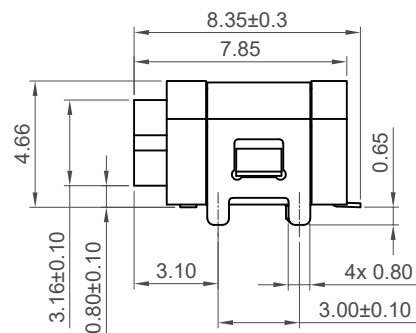
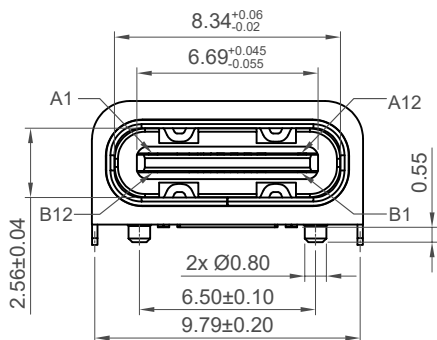
Contact
 Contact Area: Gold Flash
 Solder Tails: Gold Flash
 Underplating: 30µ" min. Nickel
 Shell: 40µ" min. Nickel
 Mid Plate: Clear

Electrical

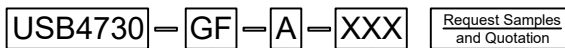
Current Rating: 5.00A collectively for Vbus pins
 6.25A collectively for GND pins
 1.25A for A5/B5 pin
 0.25A per pin for all others pins
 Voltage Rating: 48V DC
 Power Rating: 240W
 Contact Resistance: 40mΩ max initial.
 50mΩ max after test
 Dielectric Withstanding Voltage: 100V AC
 Insulation Resistance 100MΩ min

Mechanical & Environmental

Operating Temperature: -30°C to +85°C
 Mating Force: 5 to 20 N.
 Unmated Force: 6 to 20 N after test
 Durability: 20,000 cycles
 Ingress Protection Rating: IP67



Ordering Grid

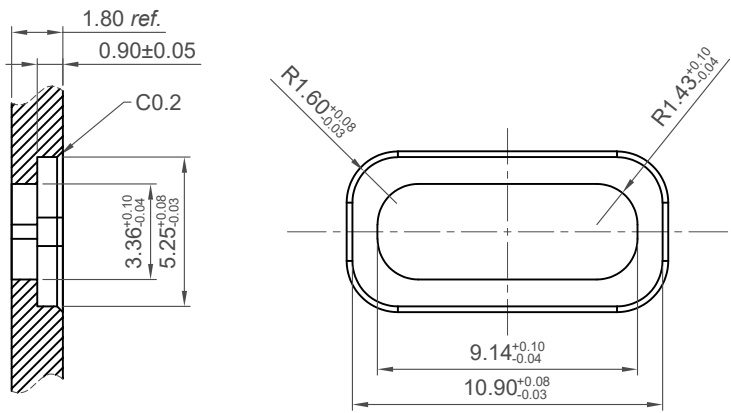


Contact Plating
 GF = Gold Flash

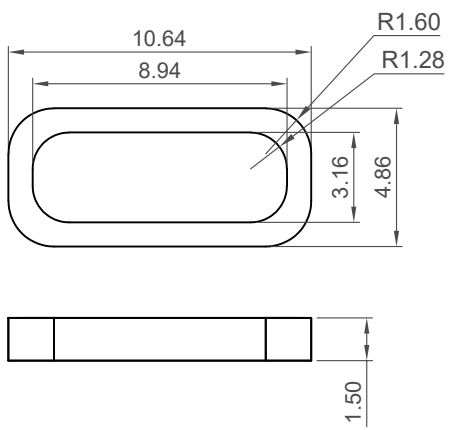
Packing Options
 A = Tape & Reel (600 per reel)

Gasket Options
 KIT = Includes Gasket: USBTJ-04
 Blank = Connector Only (Without gasket)

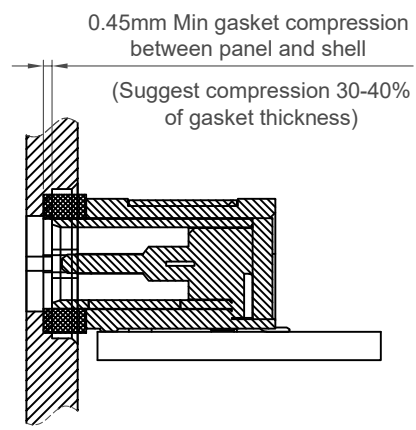
Part Number		Product Description			This drawing is confidential and copyright of Global Connector Technology, Ltd (GCT). This drawing must not be copied or disclosed without written consent. E & OE
USB4730		Type C Receptacle For USB2.0, SMT Type, Top Mount			
Drawing Date		Horizontal, IP67, 16 Pin			
21st November 2023					Not to Scale Drawn By CC Sheet No. 1/4
By	CC	Tolerances (Except as Noted)	Units:		
Detail	Drawing Release	Length	Metric (mm)		
Revision	A2	Angle			
Date	07/10/24	X.X ± 0.20			
		X.XX ± 0.15			
		X.XXX ± 0.10			



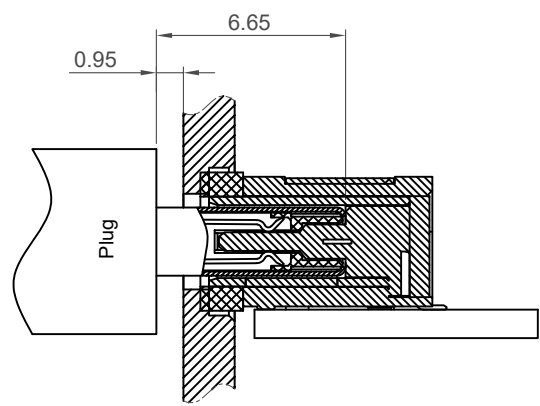
Recommended Panel Spec



Recommended Waterproof Gasket
Gasket Part No.: USBTJ-04
(Gasket+Connector can be ordered separately or together as a KIT)
(See separate datasheet for specification)



(Suggest compression 30-40% of gasket thickness)

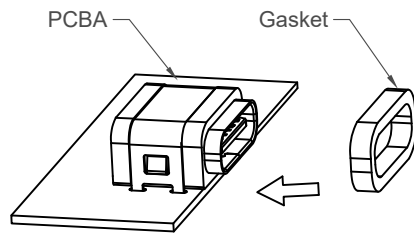


Plug and Receptacle Mating View

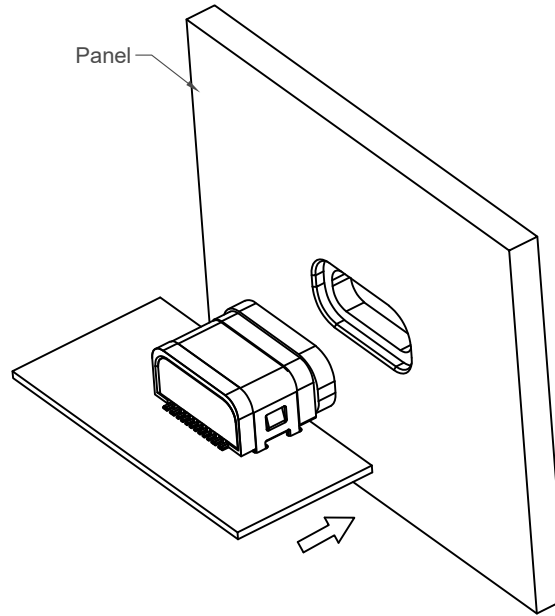
Part Number		Product Description		
USB4730		Type C Receptacle For USB2.0, SMT Type, Top Mount		
Drawing Date		Horizontal, IP67, 16 Pin		
21st November 2023				
By	CC	Tolerances (Except as Noted)	Units:	 This drawing is confidential and copyright of Global Connector Technology, Ltd (GCT). This drawing must not be copied or disclosed without written consent. E & OE
Detail	Drawing Release	Length	Angle	
Revision	A2	X.X ± 0.20		
Date	07/10/24	X.XX ± 0.15		
		X.XXX ± 0.10		
		 3rd Angle Projection		 www.gct.co
Not to Scale	Drawn By	CC	Sheet No.	2/4

H
G
F
E
D
C
B
A

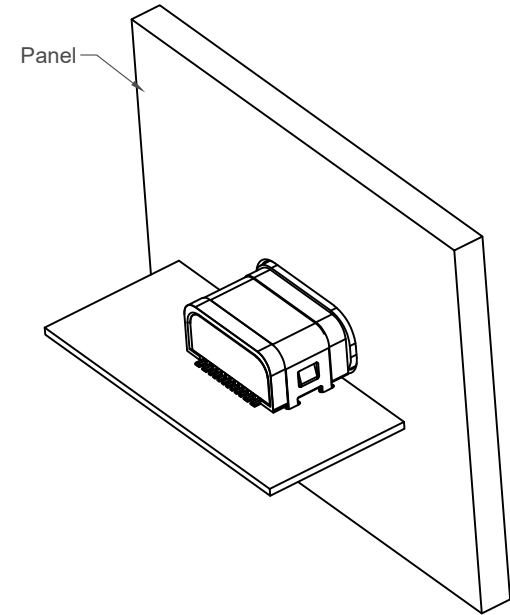
1 2 3 4 5 6 7 8



Step 1



Step 2



Step 3

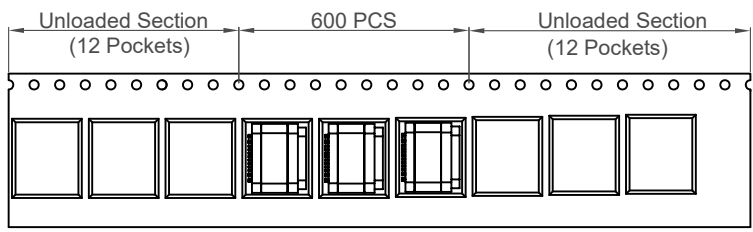
Assembly instruction for Gasket set after Reflow
 Available for Type C Receptacle Waterproof Series

Part Number		Product Description	
USB4730		Type C Receptacle For USB2.0, SMT Type, Top Mount	
Drawing Date		Horizontal, IP67, 16 Pin	
21st November 2023			
By	CC	Tolerances (Except as Noted)	Units:
Detail	Drawing Release	Length	Metric (mm)
Revision	A2	Angle	
Date	07/10/24	X.X ± 0.20	
		X.XX ± 0.15	
		X.XXX ± 0.10	
		3rd Angle Projection	
		This drawing is confidential and copyright of Global Connector Technology, Ltd (GCT). This drawing must not be copied or disclosed without written consent. E & OE	
Not to Scale	Drawn By	Sheet No.	
	CC	3/4	

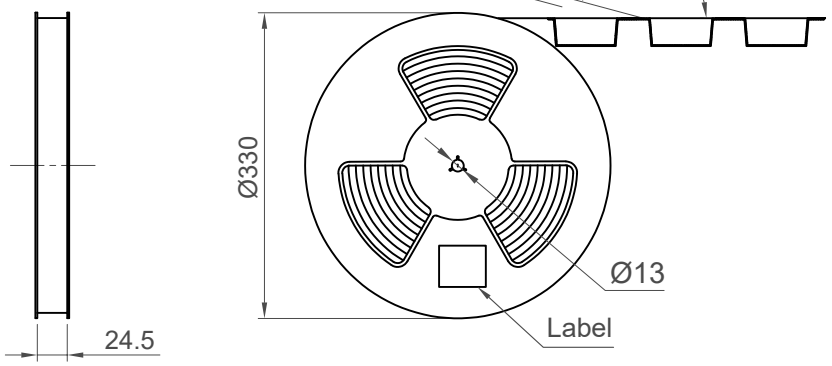
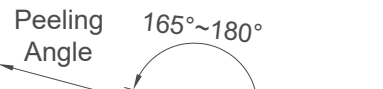


H
G
F
E
D
C
B
A

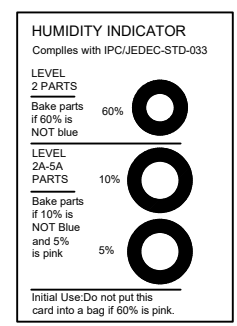
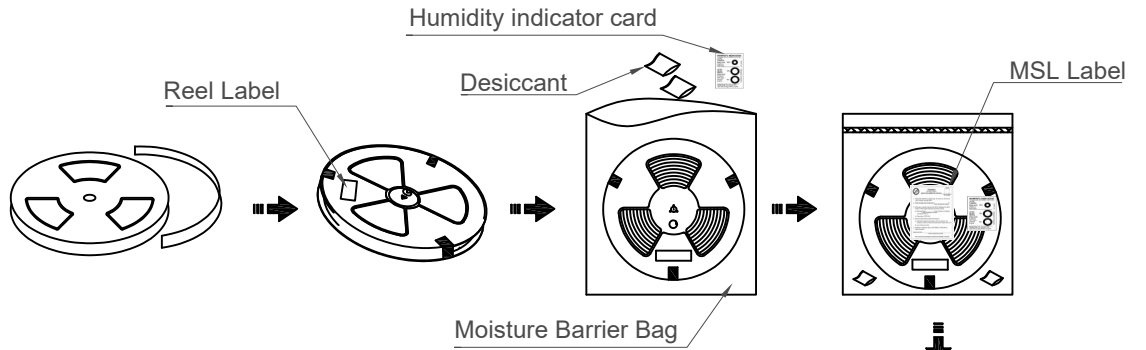
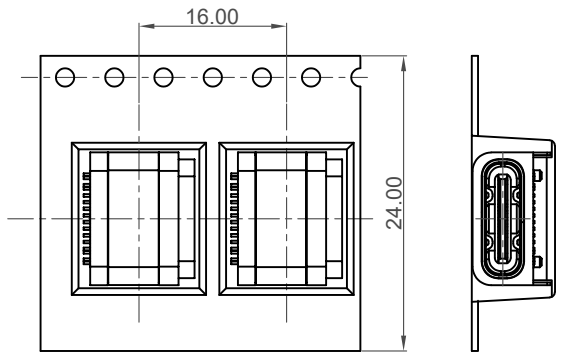
1 2 3 4 5 6 7 8



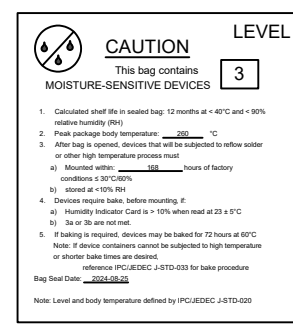
Direction of Unreeling



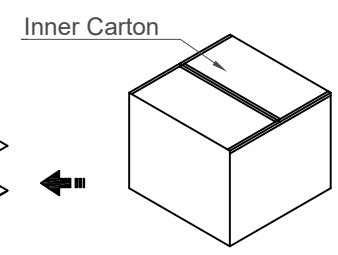
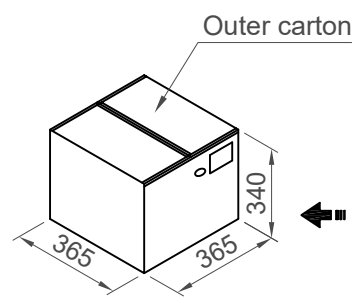
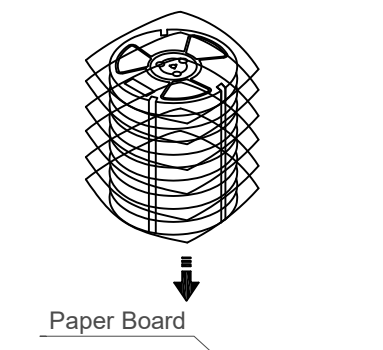
Direction of Unreeling



Humidity indicator card



MSL Label



Pcs / Reel	Reels / Carton	Total Quantity
600	10	6,000 pcs

Part Number USB4730		Product Description Type C Receptacle For USB2.0, SMT Type, Top Mount Horizontal, IP67, 16 Pin	
Drawing Date 21st November 2023			
By CC	Tolerances (Except as Noted) Length X.X ± 0.20 Angle X.XX ± 0.15 Date 07/10/24	Units: Metric (mm)	
Detail Drawing Release Revision A2 Date 07/10/24			<p>This drawing is confidential and copyright of Global Connector Technology, Ltd (GCT). This drawing must not be copied or disclosed without written consent. E & OE</p>
			<p>www.gct.co</p>
		Not to Scale	Drawn By CC Sheet No. 4/4