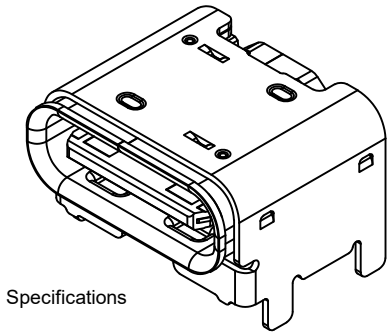


**Recommended PCB Layout**  
 Thickness: 0.80 to 1.20mm  
 As viewed from component side Tolerance: ±0.05mm  
 ▨ Solder Area □ Component Outline

Pin	Signal	Mating Sequence	Pin	Signal	Mating Sequence
A1	GND	First	B12	GND	First
A4	Vbus	First	B9	Vbus	First
A5	CC1	Second	B8	SBU2	Second
A6	Dp1	Second	B7	Dn2	Second
A7	Dn1	Second	B6	Dp2	Second
A8	SBU1	Second	B5	CC2	Second
A9	Vbus	First	B4	Vbus	First
A12	GND	First	B1	GND	First
SHELL	GND		SHELL	GND	



**Specifications**

**Material**  
 Insulator: PA9T, UL 94V-0, Black  
 Contact: Copper Alloy  
 Shell: Stainless steel  
 Mid Plate: Stainless Steel

**Plating**

**Terminal:**  
 Contact Area: See Ordering Grid  
 Solder Tails: Gold Flash  
 Underplating: 50µ" Min. Nickel Over All  
**Shell:** 30µ" Min. Nickel Over All  
**Mid Plate:** Clear

**Electrical**

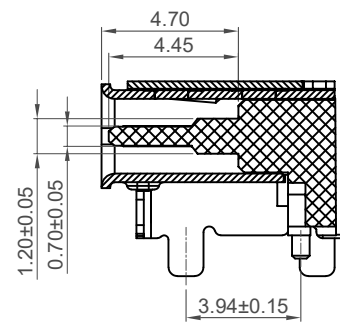
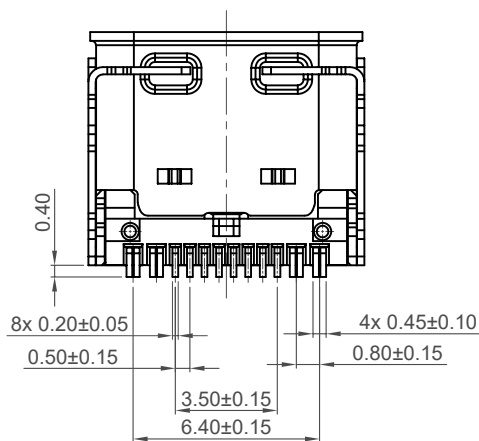
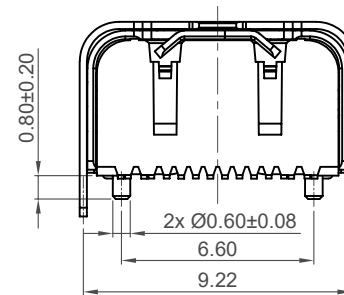
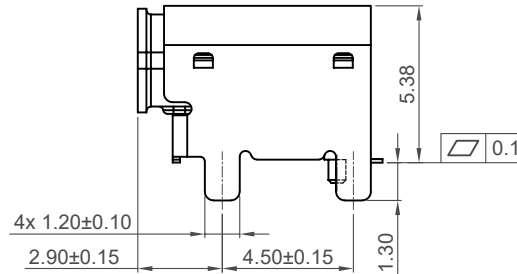
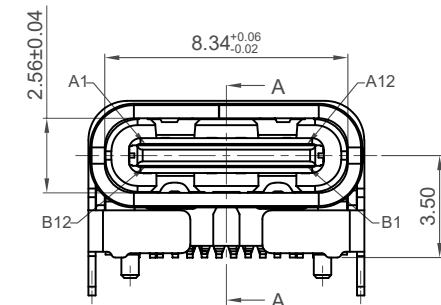
**Current Rating:** 5.00A collectively for Vbus pins  
 6.25A collectively for GND pins  
 1.25A for A5/B5 pin  
 0.25A per pin for all other pins  
**Voltage Rating:** 48V DC  
**Power Rating:** 240W  
**Contact Resistance:** 40mΩ max initial.  
 50mΩ max after test  
**Dielectric Withstanding Voltage:** 100V AC  
**Insulation Resistance:** 100MΩ min

**Mechanical & Environmental**

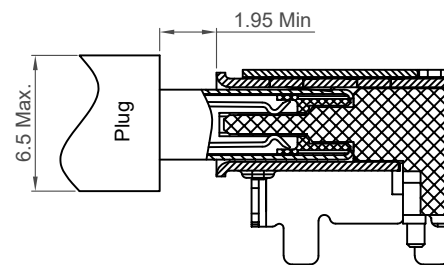
**Operating Temperature:** -25°C to +85°C  
**Mating Force:** 5 to 20 N.  
**Unmated Force:** 6 to 20 N after test  
**Durability:** 20,000 cycles

**Ordering Grid**

**USB4800** - **03** - **A** Request Samples and Quotation  
 Contact Plating: 03 = 3µ" Gold  
 Packing Options: A = Tape & Reel (700 pcs/reel)



**Section A-A**



**Plug and Receptacle Mating View**

**USB-IF TID NO. : 11257**  
**IEC 62680-1-3: 2022**

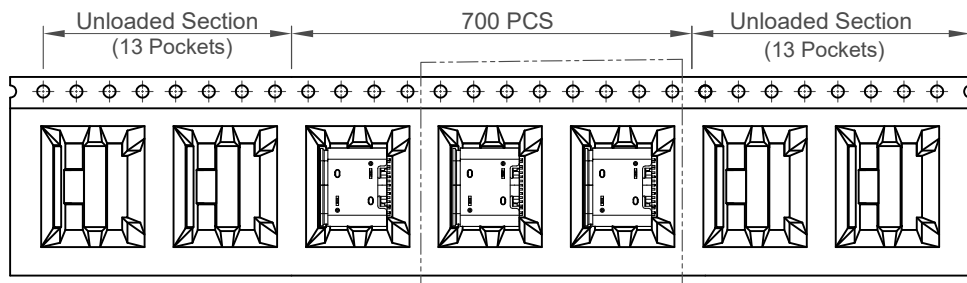
Part Number		Product Description	
USB4800		USB Type C Receptacle for USB 2.0, SMT, Horizontal, 3.50mm Elevated Top Mount, 16Pin	
Drawing Date		5th July 2022	
By	KY	Tolerances (Except as Noted)	Units:
Detail	Drawing Release	Length	Metric (mm)
Revision	A4	Angle	
Date	11/11/24	X.X ± 0.30	
		X.XX ± 0.20	
		X.XXX ± 0.10	



This drawing is confidential and copyright of Global Connector Technology, Ltd (GCT). This drawing must not be copied or disclosed without written consent. E & OE



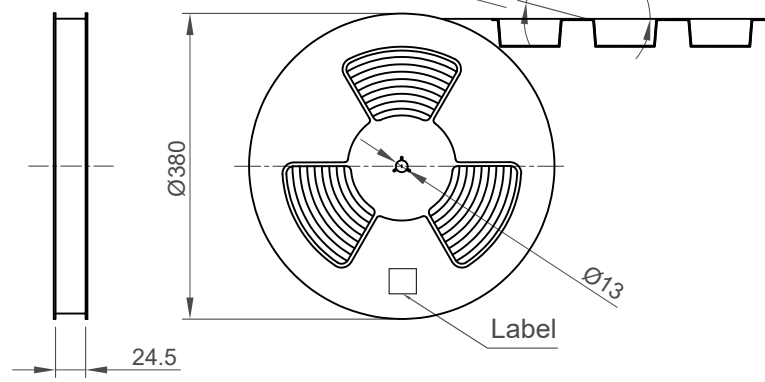
Not to Scale | Drawn By CC | Sheet No. 1/2



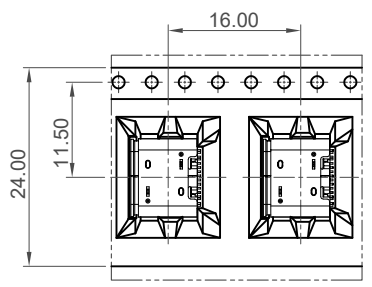
Direction of Unreeling

Detail E

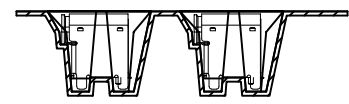
Peeling Angle  
165°~180°



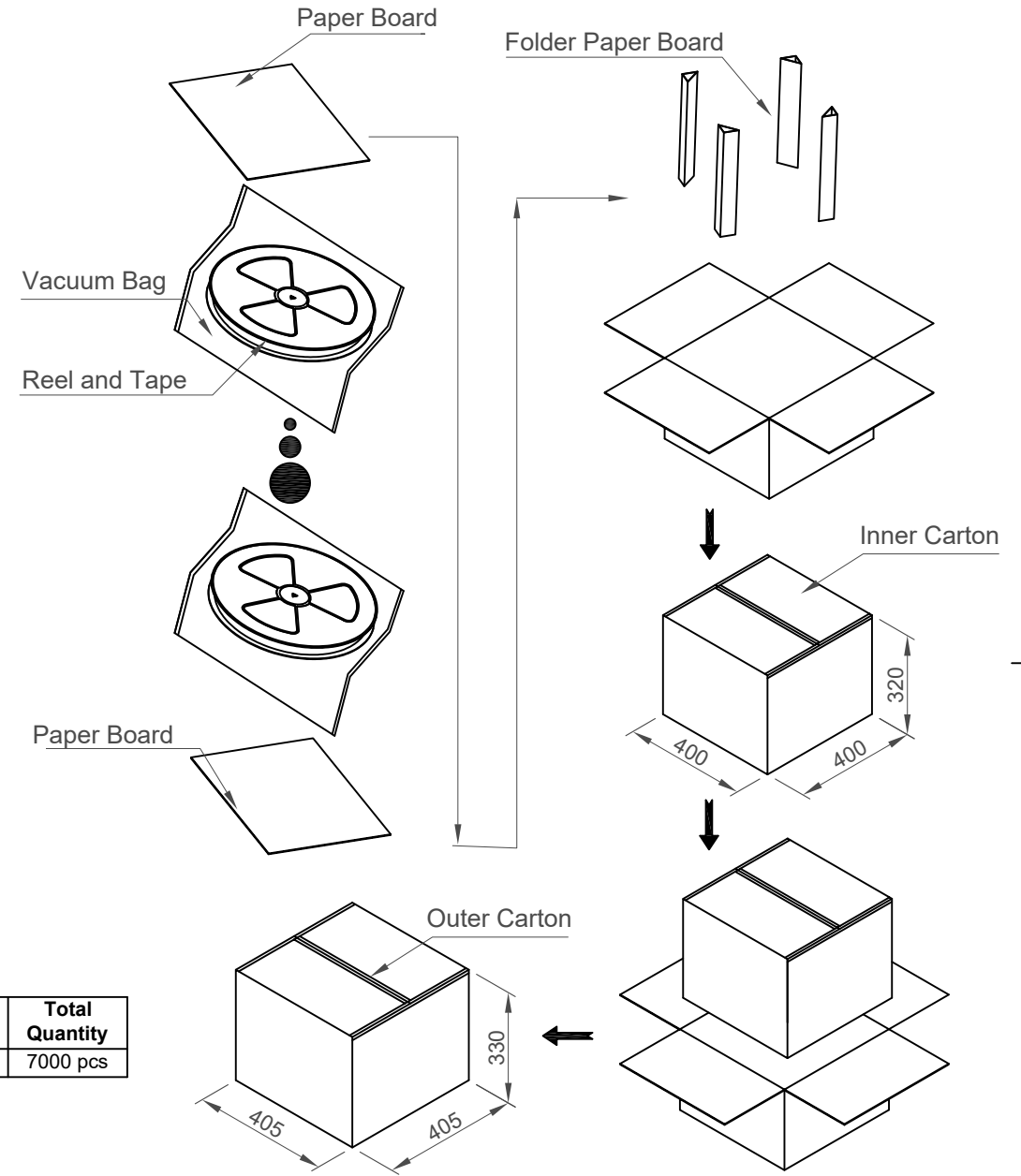
Direction of Unreeling



Detail: E



Pcs / Reel	Reels / Carton	Total Quantity
700	10	7000 pcs



Part Number		Product Description	
USB4800		USB Type C Receptacle for USB 2.0, SMT, Horizontal, 3.50mm Elevated Top Mount, 16Pin	
Drawing Date		5th July 2022	
By	KY	Tolerances (Except as Noted)	Units: Metric (mm)
Detail	Drawing Release	Length	Angle
Revision	A4	-	-
Date	11/11/24	3rd Angle Projection	



This drawing is confidential and copyright of Global Connector Technology, Ltd (GCT). This drawing must not be copied or disclosed without written consent. E & OE



Not to Scale	Drawn By CC	Sheet No. 2/2
--------------	-------------	---------------